

RoHS Compliant			
K	04-NOV-16	PCN	AK
J	07-MAR-16	COPLANARITY	AK
I	02-JUL-15	PINNING	AK
H	20-JAN-2015	PROJECTION	QP
REV	DATE	FILE	BY

PROJECTION:	GENERAL TOLERANCE
	.X = +/- 0.2
APPROVAL: BBu	.XX = +/- 0.15

UNIT: MM	 <b>WÜRTH ELEKTRONIK</b>
SCALE:	
SHEET: 1/3	
DRAW: PEARL	

DESCRIPTION: 3.00MM MALE DUAL ROW SMT RIGHT ANGLE HEADER		SIZE
SMT SOLDER TAB		
WERI PART NO: 662 0xx 231 722		

<b>A4</b>
-----------

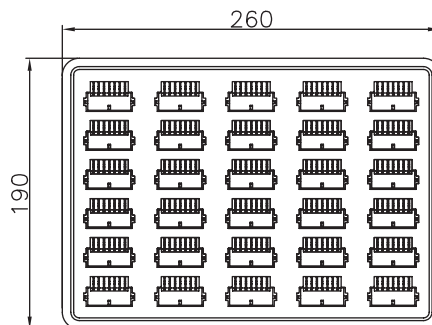
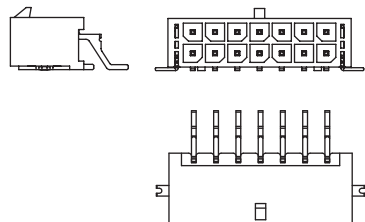
1

2

3

4

5



Tray

Note:

1.Dimension

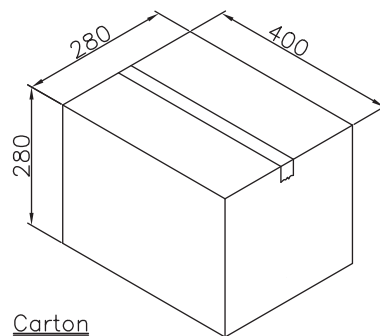
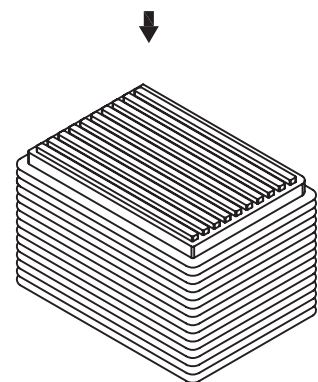
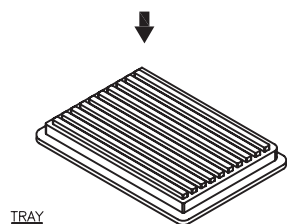
Tray Size:260(L)x190(W)x12.0(H) (mm)

Carton Size:400X280X280(mm)

2.Quantity:

XX Pcs/Tray

48 Trays/Carton



Pin.	Pcs/Tray	Pcs/Carton	Pin.	Pcs/Tray	Pcs/Carton
4	96	4608	16	56	2688
6	80	3840	18	48	2304
8	72	3456	20	40	1920
10	64	3072	22	40	1920
12	64	3072	24	40	1920
14	56	2688			

RoHS Compliant

PROJECTION:



GENERAL TOLERANCE

.X = +/- 0.2

.XX = +/- 0.15



APPROVAL: BBu

UNIT: MM

SCALE:

SHEET: 2/3

DRAW: PEARL

DESCRIPTION: 3.00MM MALE DUAL ROW SMT RIGHT ANGLE HEADER  
SMT SOLDER TAB

WERI PART NO: 662 0xx 231 722\_TPK

SIZE

A4

G			
F			
E			
D			
C			
B			
A			
REV	DATE	FILE	BY

1

2

3

4

5

## Cautions and Warnings:

This electronic component is designed and developed with the intention for use in general electronics equipments.

Before incorporating the components into any equipments in the field such as aerospace, aviation, nuclear control, submarine, transportation, (automotive control, train control, ship control), transportation signal, disaster prevention, medical, public information network etc. where higher safety and reliability are especially required or if there is possibility of direct damage or injury to human body, Würth Elektronik must be asked for a written approval.

In addition, even electronic component in general electronic equipments, when used in electrical circuits that require high safety, reliability functions or performance, the sufficient reliability evaluation-check for the safety must be performed before by the user before usage.

A

B

C

RoHS Compliant

G				PROJECTION: 	GENERAL TOLERANCE .X = +/- 0.2 .XX = +/- 0.15		
F							
E							
D							
C				APPROVAL: JC	UNIT: MM	DESCRIPTION: DISCLAIMER	SIZE <b>A4</b>
B					SCALE:		
A	10-SEP-14	PDF	QL		SHEET: 3/3	WERI PART NO: DISCLAIMER	
REV	DATE	FILE	BY		DRAW: QL		

D