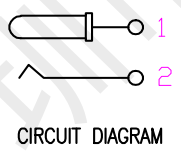
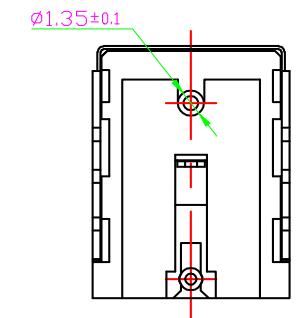
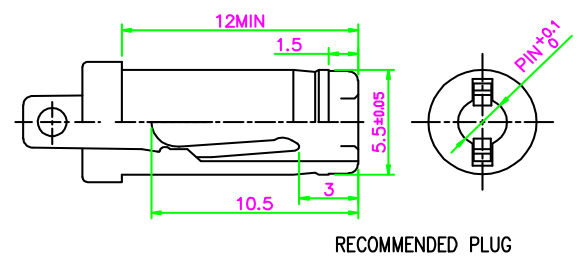
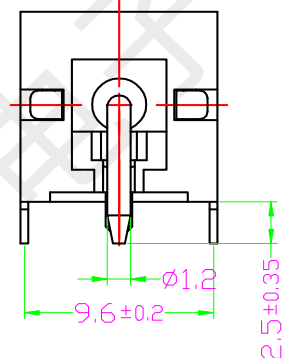
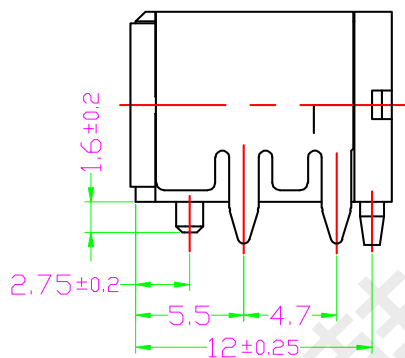
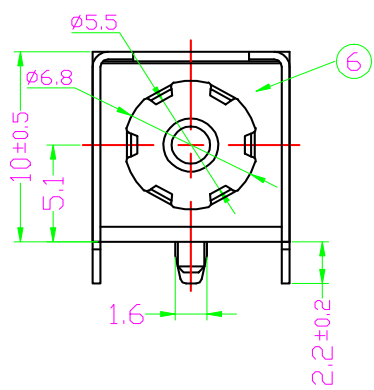


规格说明 Specifications:

- 电气特性 Electrical:
 - 额定电压 (Rated voltage): 20V DC
 - 额定电流 (Rated current): 7.0A
 - 接触电阻 (Contact resistance): 30mΩ MAX
 - 绝缘电阻 (Insulation resistance): 100MΩ Min
 - 耐电压 (Withstand Voltage): 500V AC
- 机械性能 Mechanical:
 - 插入力 (Mate force): 3-30N
 - 拔出力 (Unmate force): 3-30N
 - 插拔次数 (Durability): 5000 Cycles.
- 温度范围 (Temperature Range): -25°C ~ +70°C



6	GROUND	1	SUS301 t=0.15	---
5	SHELL	1	BRASS t=0.4	Ni PLATED
4	TERMINAL	1	SUS301 t=0.3	---
3	PIN	1	BRASS H59	Au PLATED
2	SPRING	1	C5191 t=0.3	CuSn PLATED
1	HOUSING	1	PA9T UL94 V-0	BLACK
NO.	PART NAME	QT'Y	MATERIAL	REMARK

PART NO. HX DC007B-2.5-J

深圳市韩下电子有限公司

DRAWING NO. DC-007B-6P-φ2.5

TITLE. DC POWER JACK

APPROVED BY 罗小春 2022/08/15	CHECKED BY 张伟 2022/08/15	DRAWN BY 黄彬 2022/08/15	PAGE 1 OF 1 SCALE 1:1	REV. 1
---	---------------------------------------	-------------------------------------	--	------------------

TOLERANCE	
X. ±0.50	X.XXX ±0.15
X.X ±0.35	
X.XX ±0.25	Angular ±2°
UNIT	
mm	
DWG TYPE.	
Customer Drawing	

ECN NO	REVISION RECORD	DRAW	DATE
1	2	3	4