



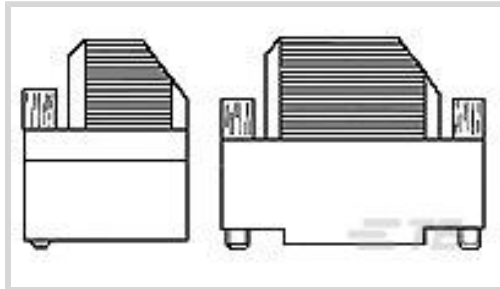
AMPLIMITE

TE Internal #: 1393738-2

TE Internal Description: V42254A6000G115=SUB D GEHAEUSE

[View on TE.com >](#)

Connectors > Connector Accessories > Connector Strain Relief



Strain Relief Accessory Type: **Cable Clamp Kit**

Primary Product Material: **Thermoplastic**

Primary Product Color: **Gray**

Compatible With Connector Shell Size: **2**

Shielded: **Yes**

**Features**

**Product Type Features**

Strain Relief Accessory Type	Cable Clamp Kit
------------------------------	-----------------

**Configuration Features**

Number of Positions	15
---------------------	----

**Body Features**

Primary Product Plating Material	Nickel over Copper
Cable Exit Angle	37.5°
Primary Product Material	Thermoplastic
Primary Product Color	Gray

**Mechanical Attachment**

Thread Size	14702
-------------	-------

**Housing Features**

Compatible With Connector Shape	D-Shaped
Body Orientation	Straight

**Dimensions**

Compatible Insulation Diameter Range	5 – 9 mm [.197 – .355 in]
--------------------------------------	---------------------------

**Operation/Application**

Compatible With Connector Shell Size	2
Shielded	Yes

**Packaging Features**



Packaging Method	Box & Tray, Tray
Packaging Quantity	25

### Product Compliance

[For compliance documentation, visit the product page on TE.com>](#)

EU RoHS Directive 2011/65/EU	Compliant
EU ELV Directive 2000/53/EC	Compliant
China RoHS 2 Directive MIIT Order No 32, 2016	No Restricted Materials Above Threshold
EU REACH Regulation (EC) No. 1907/2006	<p>Current ECHA Candidate List: JUNE 2024 (241)                      Candidate List Declared Against: JAN 2023 (233)                      SVHC &gt; Threshold:                      Perfluorobutane sulfonic acid (PFBS) and its salts (.16% in Component Part )</p> <p><b>Article Safe Usage Statements:</b>                      Do not eat, drink or smoke when using this product. Wash thoroughly after handling. Recycle if possible and dispose of the article by following all applicable governmental regulations relevant to your geographic location.</p>
Halogen Content	Low Halogen - Br, Cl, F, I < 900 ppm per homogenous material. Also BFR/CFR/PVC Free
Solder Process Capability	Not applicable for solder process capability

#### Product Compliance Disclaimer

This information is provided based on reasonable inquiry of our suppliers and represents our current actual knowledge based on the information they provided. This information is subject to change. The part numbers that TE has identified as EU RoHS compliant have a maximum concentration of 0.1% by weight in homogenous materials for lead, hexavalent chromium, mercury, PBB, PBDE, DBP, BBP, DEHP, DIBP, and 0.01% for cadmium, or qualify for an exemption to these limits as defined in the Annexes of Directive 2011/65/EU (RoHS2). Finished electrical and electronic equipment products will be CE marked as required by Directive 2011/65/EU. Components may not be CE marked. Additionally, the part numbers that TE has identified as EU ELV compliant have a maximum concentration of 0.1% by weight in homogenous materials for lead, hexavalent chromium, and mercury, and 0.01% for cadmium, or qualify for an exemption to these limits as defined in the Annexes of Directive 2000/53/EC (ELV). Regarding the REACH Regulation, the information TE provides on SVHC in articles for this part number is based on the latest European Chemicals Agency (ECHA) 'Guidance on requirements for substances in articles' posted at this URL: <https://echa.europa.eu/guidance-documents/guidance-on-reach>

### Compatible Parts



TE Part # CAT-035-DCPPS201  
D-Sub Crimp: Plug, Signal, 9 Posn, Pin Size 20, Shell Size 1



TE Part # CAT-AM7-248H3  
IDC D-Sub: Plug Assembly, Wire to Wire, Signal, 2.77 mm



TE Part # CAT-AM7-248H8  
IDC D-Sub: Receptacle Assembly, Wire to Wire, Signal, 2.74 mm



TE Part # CAT-038-DCRSS221  
D-Sub Crimp Recpt Signal 15 Posn, Socket Size 22, Shell Size 1



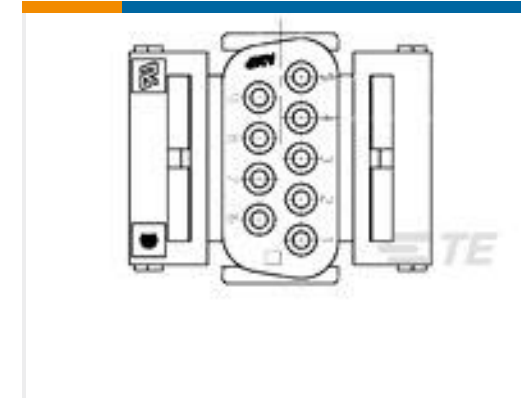
TE Part # CAT-035-DCRSS201  
D-Sub Crimp Recpt Signal 9 Posn, Socket Size 20, Shell Size 1



TE Part # CAT-038-DCPPS221  
D-Sub Crimp: Plug, Signal, 50 Posn, Pin Size 22, Shell Size 1



TE Part # 216164-1  
15P.HDP22 REC.ASSY.



TE Part # 207752-3  
9 CONTACT HSG



TE Part # 1658993-1  
OVERMOLD,PLUG ASSY,HDP-22,15 POSN,W/CLIN



TE Part # 167292-2  
09P.HDP20 PLUG ASSY



TE Part # 1888305-1  
CRIMP SNAP RCPT ASSY,SIZE 1



TE Part # 1888306-1  
15 HD22 CRIMP SNAP PLUG



TE Part # 1888308-1  
CRIMP SNAP PLUG ASSY,SIZE 1



TE Part # 745202-1  
09 HDE AP PLUG HSG



TE Part # 6-1393738-0  
V42254A6004G115=SUB D GEHAEUSE

### Customers Also Bought



TE Part #32050  
PIDG SPD 22-16 COMM 22-18MIL 8



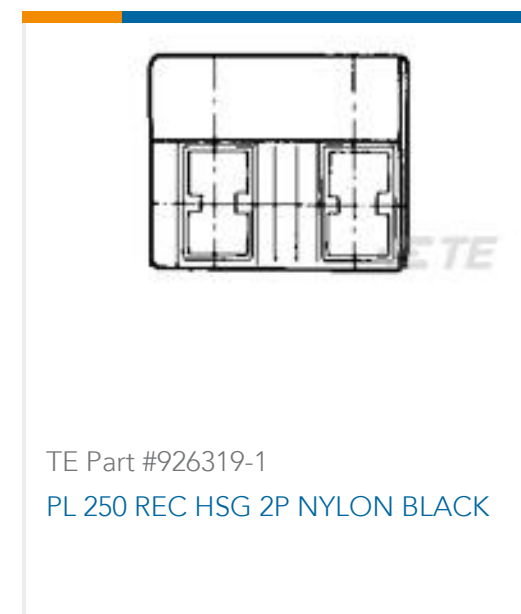
TE Part #1-640250-0  
10P SL156 HSG W/LCK RAMP NATL



TE Part #499252-7  
060 STRAIN RELIEF A-L RCPT



TE Part #6-160449-3  
FF 250 REC 1-2.5MM2 PB SILVER PLATED LP



## Documents

### Product Drawings

V42254A6000G115=SUB D GEHAEUSE

English

### CAD Files

3D PDF

3D

Customer View Model

[ENG\\_CVM\\_CVM\\_1393738-2\\_B.2d\\_dxf.zip](#)

English

Customer View Model

[ENG\\_CVM\\_CVM\\_1393738-2\\_B.3d\\_igs.zip](#)

English

Customer View Model

[ENG\\_CVM\\_CVM\\_1393738-2\\_B.3d\\_stp.zip](#)

English

By downloading the CAD file I accept and agree to the [Terms and Conditions](#) of use.

### Instruction Sheets

[mounting guideline for d-Sub housings](#)

English

[Instruction Sheet \(U.S.\)](#)

English