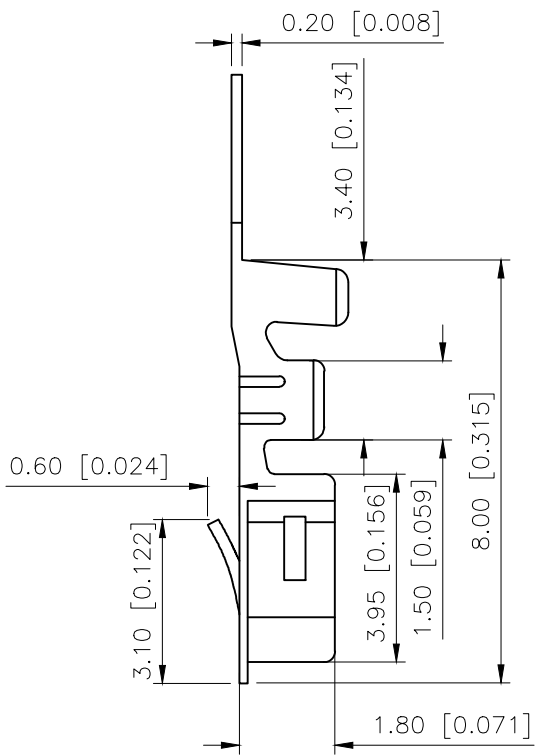
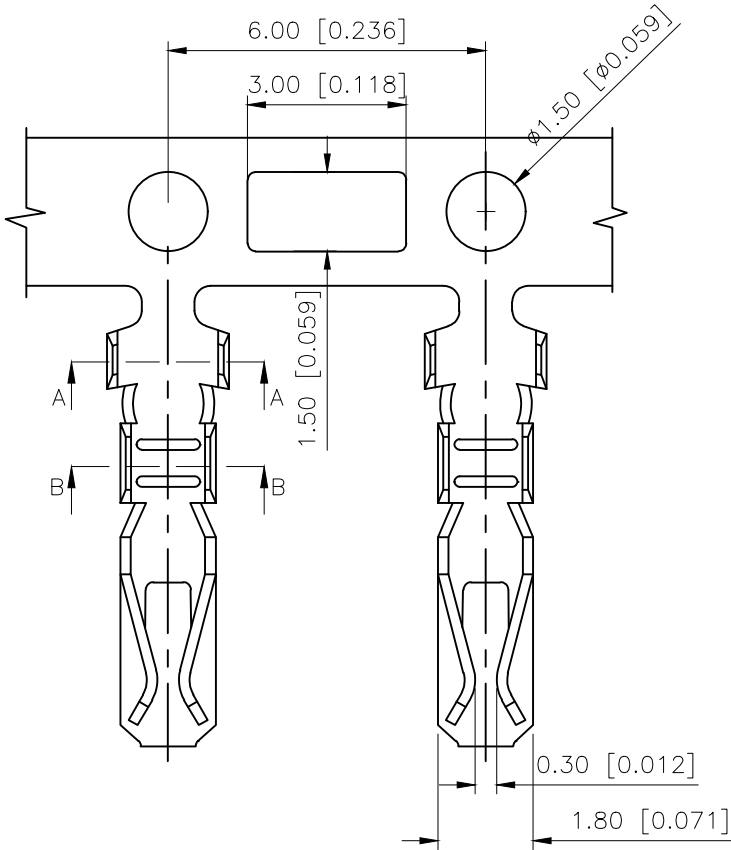


REVISIONS					
REV.	ECN NO.	LOCATION	DESCRIPTION	DATE	DESIGN
A0	N/A		INITIAL RELEASE	/	/
A1	N/A		图面升级整理图面	2025.03.01	阿树

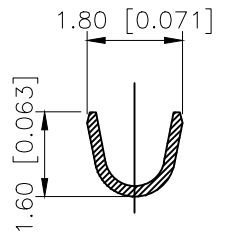
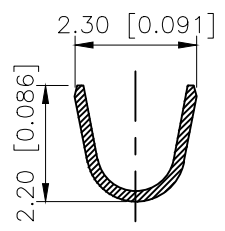


Specifications:
规格:
Voltage rating:250V AC/DC
额定电压: 250V AC/DC
Current rating:3A AC/DC
额定电流: 3A AC/DC
Withstanding voltage:800V AC/minute
耐受电压: 800V AC/分钟
Temperature range:-40°C--+125°C
温度范围: -40°C--+125°C
Insulation resistance:1000MΩ min
绝缘电阻: 1000MΩ min
Contact resistance:20mΩ max
接触电阻: 20mΩ max

PART NO.:

X2509 I F-P SN
① ② ③ ④ ⑤

- ①Series Number.
- ②Category: T-terminal
- ③Welding Board Angle: F-Female
- ④Material: P-Phosphor bronze
- ⑤Plating Category:SN-Bright Tin Plating



X2509TF-PSN	Phosphor bronze	AWG#22~28	1.2~1.9mm(Max)	Stamping Before Pating:30u''Ni MIN;70'' Sn MIN	X2509HF
PART NO	Material	Wire Range	Insulation O.D.	Finish	Suitable XKB Housing

AuGLAR	±5°
X.	±0.40
X.x	±0.30
X.xx	±0.20
X.xxx	±0.15
UNSPECIFIED TOLERANCES	



DESIGN	阿树	VIEW:	
CHECKED		UNIT:	mm/in
APPROVED		SIZE:	A4

MODEL TYPE:	2.50mm Crimp Style Connector
PART NO.:	X2509TF-PSN
DWG NO.:	