

1456983-1 ✓ ACTIVE



Get .64 Connector System

TE Internal #: 1456983-1

Housing for Female Terminals, Wire-to-Board / Wire-to-Device, 4 Position, 2.54 mm [.1 in] Centerline, Black, Signal, Get .64 Connector System

[View on TE.com >](#)

Connectors > Automotive Connectors > Automotive Housings > GET .64 CONNECTOR SYSTEM, CONNECTOR HSG



Connector System: **Wire-to-Board, Wire-to-Device**

Number of Positions: **4**

Connector & Housing Type: **Housing for Female Terminals**

Centerline (Pitch): **2.54 mm [.1 in]**

Sealable: **No**

[All GET .64 CONNECTOR SYSTEM, CONNECTOR HSG \(69\)](#)

Features

Product Type Features

Mixed & Hybrid Connector	No
Connector Shape	Rectangular
Connector System	Wire-to-Board, Wire-to-Device
Connector & Housing Type	Housing for Female Terminals
Sealable	No
Primary Locking Feature	Integrated in Housing

Configuration Features

Number of Positions	4
Number of Rows	1

Body Features

Cable Exit Angle	180°
Primary Product Color	Black



Connector & Keying Code	A
-------------------------	---

Contact Features

Contact Size	.64mm
--------------	-------

Contact Type	Receptacle
--------------	------------

Mating Tab Width	1 mm[.039 in]
------------------	---------------

Mechanical Attachment

Terminal Position Assurance	Yes
-----------------------------	-----

Strain Relief	Without
---------------	---------

Mating Alignment Type	Keyed
-----------------------	-------

Mating Alignment	With
------------------	------

Connector Mounting Type	Cable Mount (Free-Hanging)
-------------------------	----------------------------

Housing Features

Housing Material	PA GF
------------------	-------

Centerline (Pitch)	2.54 mm[.1 in]
--------------------	----------------

Dimensions

Connector Height	11.75 mm[.463 in]
------------------	-------------------

Product Width	13.47 mm[.53 in]
---------------	------------------

Product Length	23.4 mm[.921 in]
----------------	------------------

Usage Conditions

Operating Temperature (Max)	70 °C, 75 °C, 80 °C, 85 °C, 90 °C, 100 °C [158 °F][167 °F][176 °F][185 °F][194 °F][212 °F]
-----------------------------	---

Operating Temperature Range	-40 – 100 °C[-40 – 212 °F]
-----------------------------	----------------------------

Operation/Application

Circuit Application	Signal
---------------------	--------

Industry Standards

Compatible With Agency/Standards Products	SAE/USCAR-2
---	-------------

UL Flammability Rating	UL 94HB
------------------------	---------

Packaging Features

Packaging Quantity	900
--------------------	-----

Packaging Method	Bulk
------------------	------

Other



Serviceable	Yes
Connector Position Assurance Capable	Yes

Product Compliance

[For compliance documentation, visit the product page on TE.com>](#)

EU RoHS Directive 2011/65/EU	Compliant
EU ELV Directive 2000/53/EC	Compliant
China RoHS 2 Directive MIIT Order No 32, 2016	No Restricted Materials Above Threshold
EU REACH Regulation (EC) No. 1907/2006	Current ECHA Candidate List: JUNE 2024 (241) Candidate List Declared Against: JUNE 2024 (241) Does not contain REACH SVHC
Halogen Content	Low Halogen - Br, Cl, F, I < 900 ppm per homogenous material. Also BFR/CFR/PVC Free
Solder Process Capability	Not applicable for solder process capability

Product Compliance Disclaimer

This information is provided based on reasonable inquiry of our suppliers and represents our current actual knowledge based on the information they provided. This information is subject to change. The part numbers that TE has identified as EU RoHS compliant have a maximum concentration of 0.1% by weight in homogenous materials for lead, hexavalent chromium, mercury, PBB, PBDE, DBP, BBP, DEHP, DIBP, and 0.01% for cadmium, or qualify for an exemption to these limits as defined in the Annexes of Directive 2011/65/EU (RoHS2). Finished electrical and electronic equipment products will be CE marked as required by Directive 2011/65/EU. Components may not be CE marked. Additionally, the part numbers that TE has identified as EU ELV compliant have a maximum concentration of 0.1% by weight in homogenous materials for lead, hexavalent chromium, and mercury, and 0.01% for cadmium, or qualify for an exemption to these limits as defined in the Annexes of Directive 2000/53/EC (ELV). Regarding the REACH Regulation, the information TE provides on SVHC in articles for this part number is based on the latest European Chemicals Agency (ECHA) 'Guidance on requirements for substances in articles' posted at this URL: <https://echa.europa.eu/guidance-documents/guidance-on-reach>

Compatible Parts



Also in the Series | [Get .64 Connector System](#)



Automotive Connector Caps & Covers (5)



Automotive Housings(109)



Automotive Terminals(28)

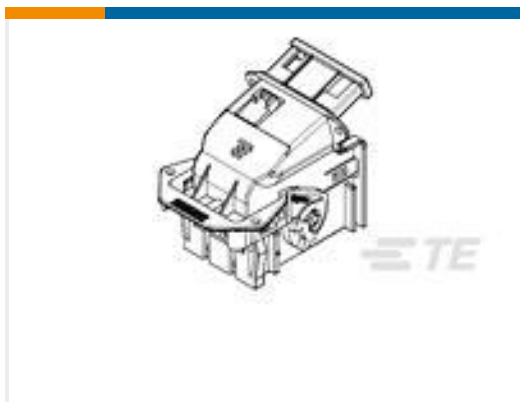


Insertion & Extraction Tools(1)



PCB Headers & Receptacles(3)

Customers Also Bought



TE Part #1924346-1
Shield Assy, 52P Generation Y, LAC, AE



TE Part #1-1419158-7
INLIN CONN.FEMAL22P



TE Part #1703727-1
2POS,JPT,HOUSING,ASSY,BK



TE Part #2278586-1
67 POS COVER ASSY TYPE180



TE Part #2278584-1
67 POS,MIXED,REC HSG,ASSY, SEALED TYPE180



TE Part #2098557-4
2POS, MCON 1.2 CB REC 2p TL SEALED



TE Part #1924393-1
14P MCON 1.2 SCCM Outer Housing



TE Part #1-2137336-6
36 POS PLUG ASSEMBLY



TE Part #1452839-5
24 POS FEMALE HSG ASSY

Documents



Product Drawings

1X4 FEM UNSEALED LOW PROFILE, KEY A

English

CAD Files

Customer View Model

[ENG_CVM_CVM_1456983-1_C.2d_dxf.zip](#)

English

3D PDF

3D

Customer View Model

[ENG_CVM_CVM_1456983-1_C.3d_igs.zip](#)

English

Customer View Model

[ENG_CVM_CVM_1456983-1_C.3d_stp.zip](#)

English

By downloading the CAD file I accept and agree to the [Terms and Conditions](#) of use.

Datasheets & Catalog Pages

GET 0.64 Interconnection System

English