

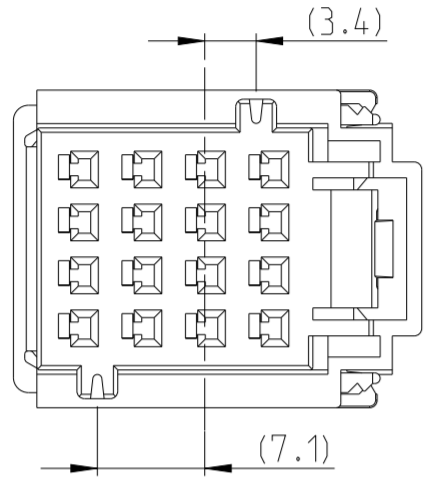
CODING A AS SHOWN  
Kodierung A wie gezeigt

| REVISIONS |     |              |           |     |      |
|-----------|-----|--------------|-----------|-----|------|
| P         | LTR | DESCRIPTION  | DATE      | DWN | APVD |
| A         |     | NEW DRAWING  | 23MAY2022 | HH  | PW   |
| B         |     | New cavities | 31MAR2023 | HH  | P.W  |

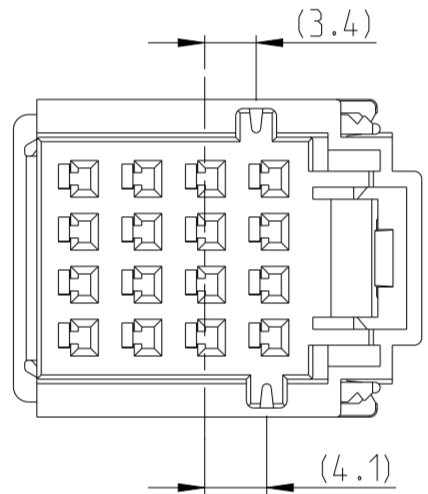
NOTES / Bemerkungen

- 1 TE-CONNECTIVITY ORDER-NUMBER  
TE-Connectivity Bestellnummer
- 2 REVISION, SEE TABLE  
Revision, siehe Tabelle
- 3 PRODUCTION DATE  
Produktionsdatum
- 4 TE-LOGO  
TE-Logo
- 5 CONTACT CAVITY NUMBERING  
Kammernummerierung
- 6 SUITABLE TO COUNTERPART PN 2382874-1/-2/-3/-4  
Passend zu Gegenstück PN 2382874-1/-2/-3/-4
- 7 CAVITIES MATED WITH MCON 1.2  
SEE PRODUCT GROUP DRAWING  
TE-NO.: 1452674  
MAX. W IRESIZE; 1.5mm<sup>2</sup> FLR  
Kontaktkammern passend fuer MCON 1.2  
siehe Produkt-Gruppenzeichnung  
TE-Nr.: 1452674  
max. Drahtgroessenbereich 1.5mm<sup>2</sup> FLR
- 8 DELIVERY CONDITION IN OPEN POSITION  
Lieferzustand im geoeffneten Zustand
- 9 MALFUNCTION CAUSED BY LACQUER IS NOT COVERED  
BY TE WARRANTY.  
Funktionsbeeinträchtigung durch Lackieren liegt nicht  
im Einfluss und Gewährleistungsumfang von TE.
- 10 REGRIND MAX. 25% PERMITTED  
Regrenulat max. 25% zulaessig
- 11 BULK PACKAGING IN CORRUGATED SHIPPING BOX  
Schuetttgut im Versandkarton
- 12 FITS TO TE INTEFACE 208-18173, REV.: A  
Passend zur TE Ausfuehrungsvorschrift 208-18173, Rev.: A

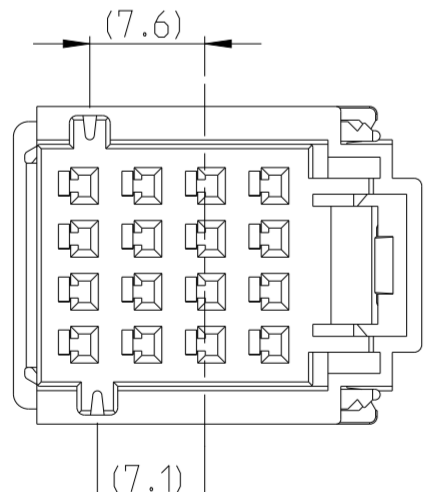
CODING A  
Kodierung  
2382871-1



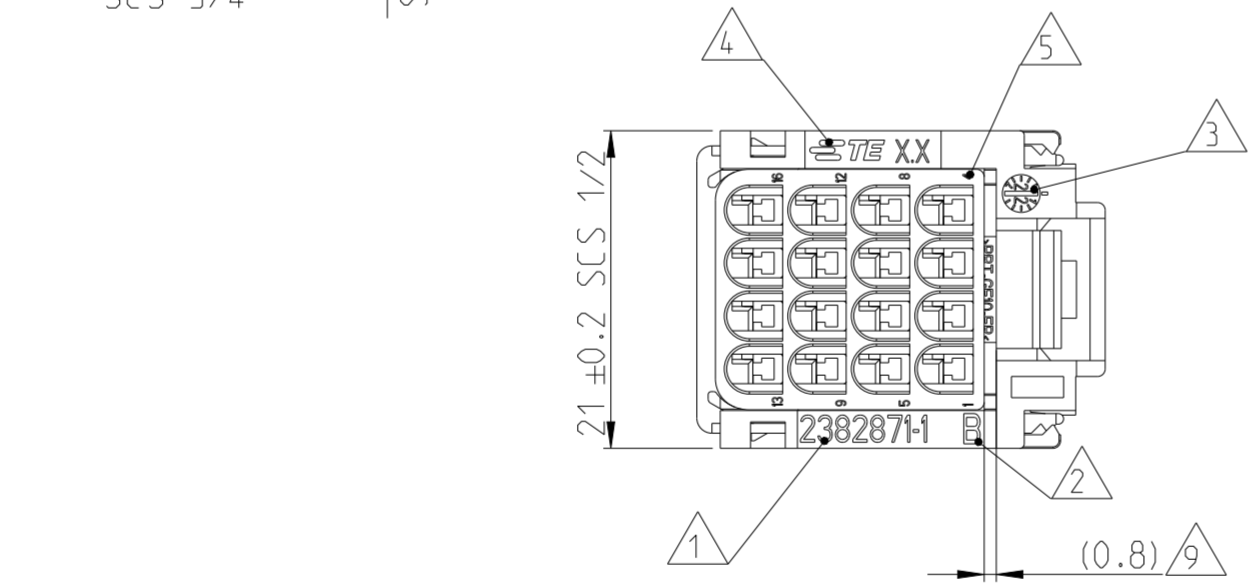
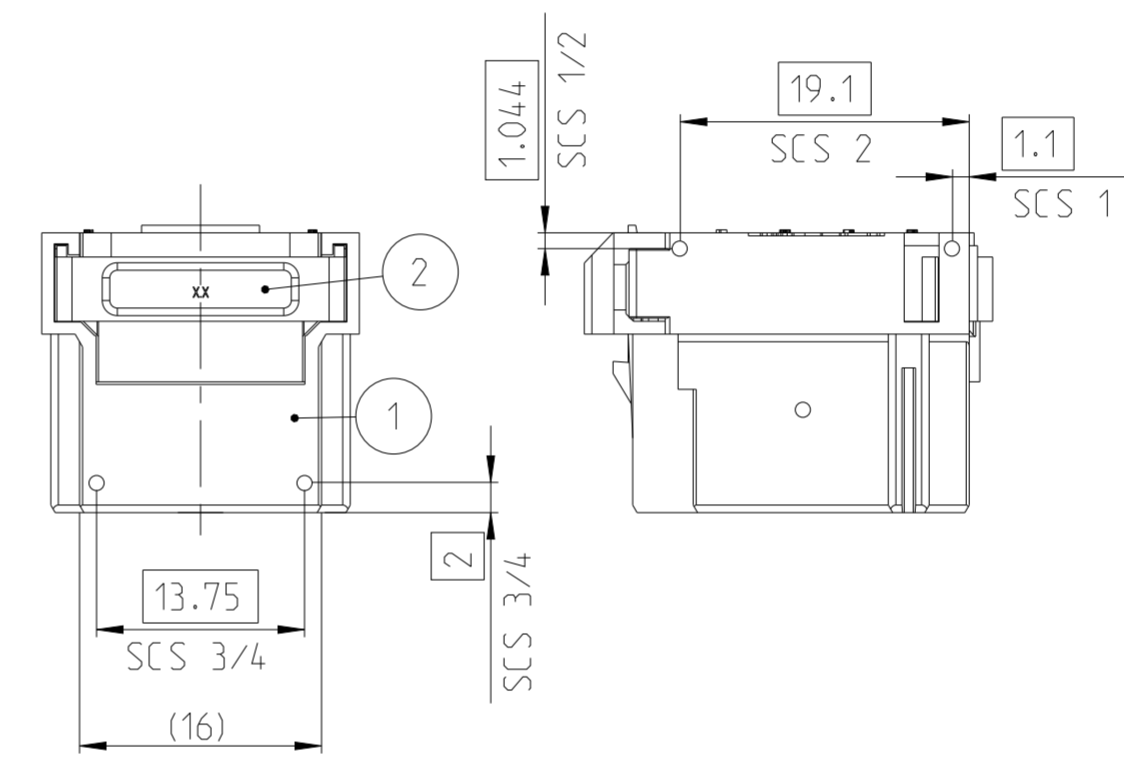
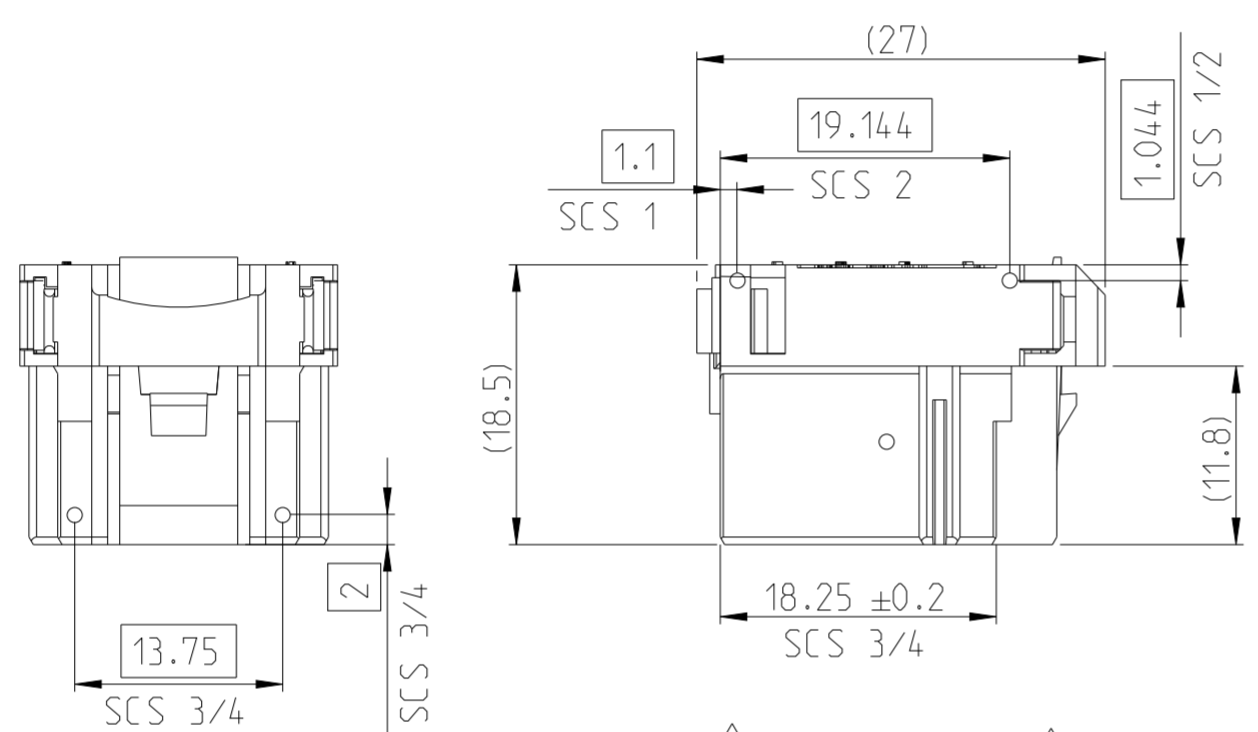
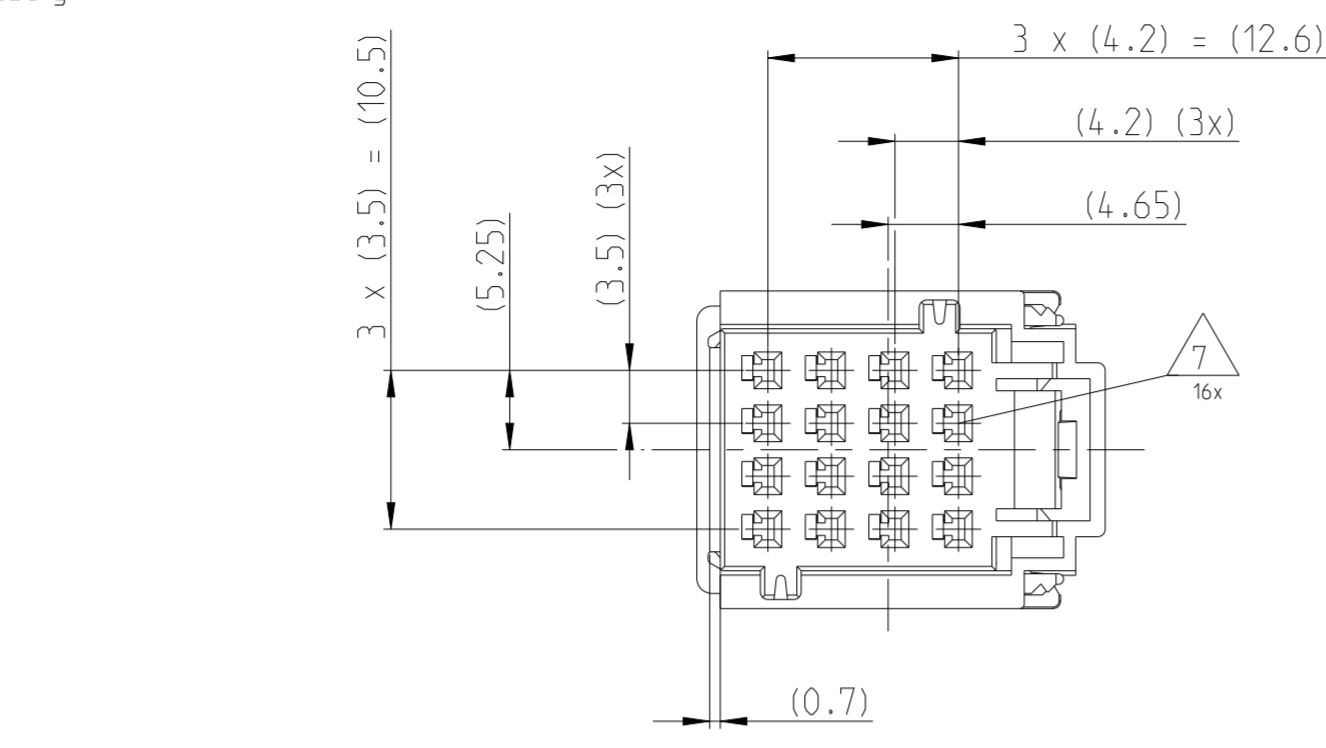
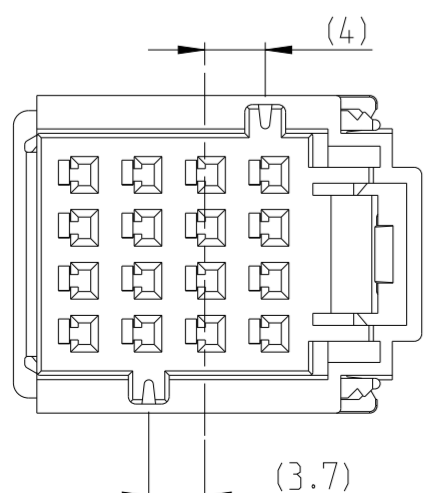
CODING B  
Kodierung  
2382871-2



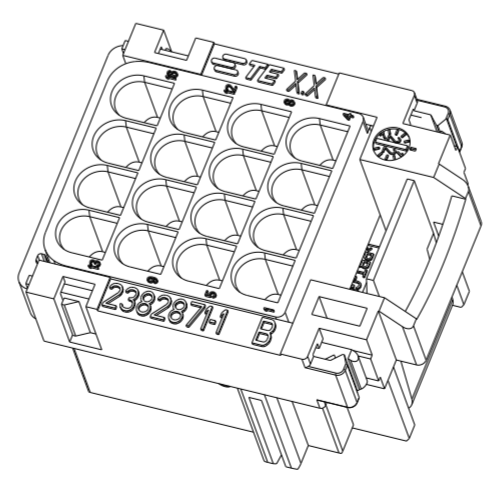
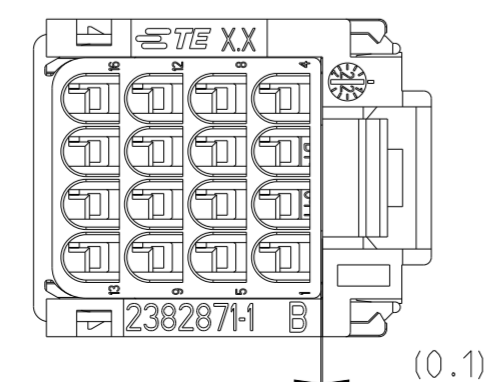
CODING C  
Kodierung  
2382871-3



CODING D  
Kodierung  
2382871-4



SECONDARY LOCK IN END-LOCKED POSITION  
2. Kontaktsicherung in Endraststellung



DIMENSION AND TOLERANCES ACCORDING TO:  
Bemaßungen und Toleranzen gemäß:  
DIN ISO 20457  
DIN EN ISO 8015 (AD) - DIN EN ISO 291  
DIN EN ISO 14405-1/-2/-3

| QTY REQD PER ASSY TCPN | REV. | DESCRIPTION | MATERIAL | COLOUR  | ITEM NO.                        |   |
|------------------------|------|-------------|----------|---|---------------------------------|---|
| 1                      |      | 2382873-4   | B        | MCON 1.2 LL Secondary locking device; 16pos.<br>MCON 1.2 LL Zweite Kontaktsicherung; 16pol. | PBT-GF10_FR<br>BLUE<br>blau     | 2 |
| 1                      |      | 2382873-3   | B        | MCON 1.2 LL Secondary locking device; 16pos.<br>MCON 1.2 LL Zweite Kontaktsicherung; 16pol. | PBT-GF10_FR<br>GREEN<br>grün    | 2 |
| 1                      |      | 2382873-2   | B        | MCON 1.2 LL Secondary locking device; 16pos.<br>MCON 1.2 LL Zweite Kontaktsicherung; 16pol. | PBT-GF10_FR<br>GREY<br>grau     | 2 |
| 1                      |      | 2382873-1   | B        | MCON 1.2 LL Secondary locking device; 16pos.<br>MCON 1.2 LL Zweite Kontaktsicherung; 16pol. | PBT-GF10_FR<br>BLACK<br>schwarz | 2 |
| 1                      |      | 2382872-4   | B        | MCON 1.2 LL REC. hsg; 16pos - COD D<br>MCON 1.2 LL Buchsengehäuse, 16pol.                   | PBT-GF10_FR<br>BLUE<br>blau     | 1 |
| 1                      |      | 2382872-3   | B        | MCON 1.2 LL REC. hsg; 16pos - COD C<br>MCON 1.2 LL Buchsengehäuse, 16pol.                   | PBT-GF10_FR<br>GREEN<br>grün    | 1 |
| 1                      |      | 2382872-2   | B        | MCON 1.2 LL REC. hsg; 16pos - COD B<br>MCON 1.2 LL Buchsengehäuse, 16pol.                   | PBT-GF10_FR<br>GREY<br>grau     | 1 |
| 1                      |      | 2382872-1   | B        | MCON 1.2 LL REC. hsg; 16pos - COD A<br>MCON 1.2 LL Buchsengehäuse, 16pol.                   | PBT-GF10_FR<br>BLACK<br>schwarz | 1 |

THIS DRAWING IS A CONTROLLED DOCUMENT.

DIMENSIONS: mm

TOLERANCES UNLESS OTHERWISE SPECIFIED:

|        |   |
|--------|---|
| 0 PLC  | ± |
| 1 PLC  | ± |
| 2 PLC  | ± |
| 3 PLC  | ± |
| 4 PLC  | ± |
| ANGLES | ± |
| FINISH | - |

MATERIAL: SEE TABLE  
siehe Tabelle

DATE: 27AUG2021  
DWN: H. Hincichs  
CHK: P. Wrobel  
APVD: F. Eltrop  
PRODUCT SPEC: 108-94834  
APPLICATION SPEC: 114-94735  
WEIGHT: 7.1 g

SCALE: 2:1

RESTRICTED TO: -

TE Connectivity

MCON 1.2 LL REC HOUSING, 16POS.  
MCON 1.2 LL Buchsengehäuse, 16pos.

SIZE: A2 CAGE CODE: 00779 DRAWING NO: C-2382871

CUSTOMER DRAWING

SCALE: 2:1 SHEET: 1 OF 2 REV: B

4

3

2

1

©

2382871-C

STOCK DISPOSITION



A: CONTINUE AS IS                      D: USE OLD FIRST  
 B: REWORK                                E: PARTS TO CONFORM  
 C: SCRAP                                  F: OTHER

REVISION HISTORY

| DATE | REV | CHANGES | REASON | APPROVAL | INVENTORY<br>(A,B,C,D,E,F) | WORK<br>IN PROCESS<br>(A,B,C,F) | SUPPLIER<br>ORDERS<br>(A,E,F) | OPEN CUST<br>ORDERS<br>(A,E,F) |
|------|-----|---------|--------|----------|----------------------------|---------------------------------|-------------------------------|--------------------------------|
| -    | -   | -       | -      | -        | -                          | -                               | -                             | -                              |

REVISIONS

| P | LTR | DESCRIPTION | DATE | DWN | APVD |
|---|-----|-------------|------|-----|------|
|   |     | SEE SHEET 1 |      |     |      |
|   |     |             |      |     |      |
|   |     |             |      |     |      |

|   |  |                  |   |           |            |
|---|--|------------------|---|-----------|------------|
| THIS DRAWING IS A CONTROLLED DOCUMENT.  |  | DWN              |  TE Connectivity |           |            |
| DIMENSIONS:   |  | CHK              |   |           |            |
|  | TOLERANCES UNLESS OTHERWISE SPECIFIED: | APVD             | NAME  |           |            |
|   | 0 PLC ±                                | PRODUCT SPEC     | PRODUCT SPEC  |           |            |
|   | 1 PLC ±                                | APPLICATION SPEC | SIZE  | CAGE CODE | DRAWING NO |
|   | 2 PLC ±                                | MATERIAL         | WEIGHT  | A2        | C-         |
| 3 PLC ±   | RESTRICTED TO                          |                  |   |           |            |
| 4 PLC ±   | FINISH                                 | SCALE            | SHEET   | OF        | REV        |
| ANGLES ±  |  |                  |   |           |            |