

Product Data Sheet



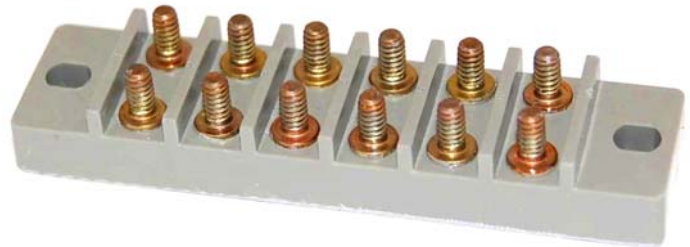
26TB XX F

Replace "XX" with 06, 08, 10 or 12 for number of poles

Navy Class Terminal Board

20 Amps, 60 Hz

300 Volts RMS



(6 Pole shown)

Copper Wire Only

Double Stud

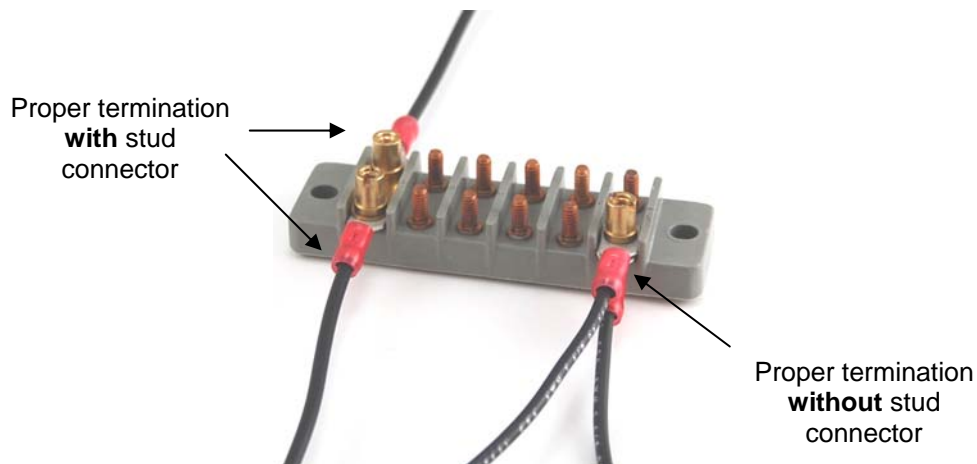
Double Row

Recommended Maximum size wire: #16 AWG



(2) Barrel Nuts and (1) Stud Connector
Provided per line
(Shipped unassembled)
NOT TO SCALE

Stud Connector is considered part of the stud and is required, unless otherwise specified. With the stud connector removed, the terminal board will provide twice the number of connection points and allow for an additional wire per terminal.



Electrical Ratings:

- 20A , 60Hz
- 300 Volts RMS
- 1500 Volts RMS Dielectric Withstanding Voltage

Mechanical Ratings:

- Maximum insulator base temperature: 130°C (266°F)* UL RTI
- Flammability rating of insulator base: UL 94V-0

Materials:

- Insulator base: MAI-60 in accordance with MIL-M-14.
- Stud #4-40 NC-2: Brass, unplated
- Barrel Nut: Brass, unplated (provided loose) (9202036)
- Stud Connector: Brass, unplated (9202066)

Agency Approvals:

- A-A-59125 / 24 , (supercedes MIL-T-55164 / 24)
- MAI-60 in accordance with MIL-M-14
- RoHS Compliant

Wire Range:

- Maximum size: #16 AWG Copper

Lug information:

- MS17143 – 20
- Maximum Lug Width : 0.242" (6.1 mm)
- Recommended Torque: 6 – 8 in. lbs. (0.7 – 0.9 N·m)
- Screw Size: #4

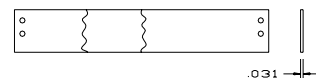
Suggested product mounting hardware: #6 fastener, torque to 10-15 in. lbs.

Barrel Nut Screwdrivers can be purchased at the following link:

http://comsaco.com/catalog/product_info.php?products_id=182

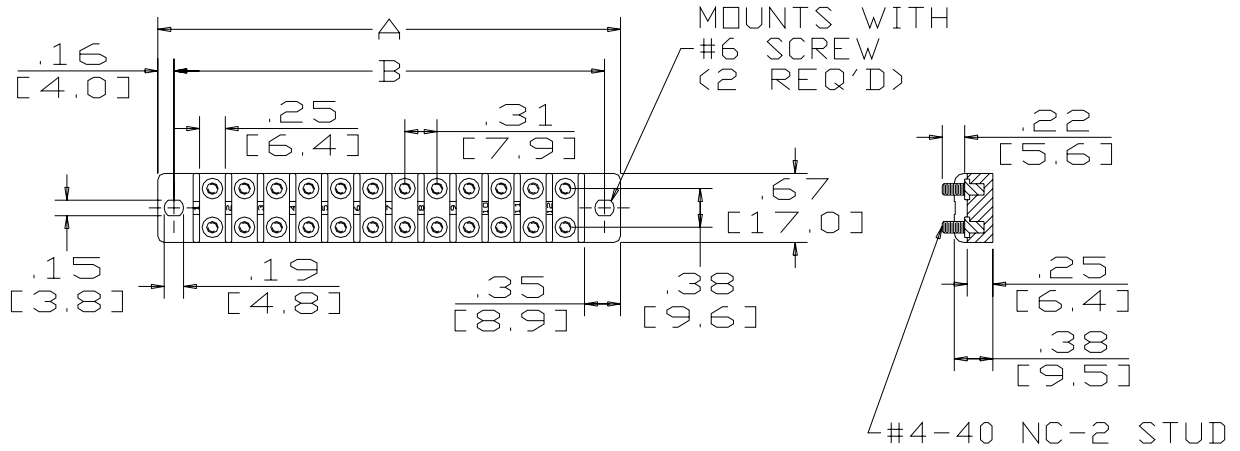
ACCESSORIES:

- To order additional Barrel Nuts, order 9202036
- JJ (GDI-30F) Material available. Glass-fiber filled, diallyl ortho-phthalate. UL-94 V0. Certifiable to Military Specifications MIL-M-14 and MIL-P-19833. (26 TBHT XX F)
- Marking strips - sub mounted. Can be made from XP (general purpose laminate), XXXPFR (flame retardant), GME (glass cloth melamine), or GEE (glass cloth epoxy) material. (For Printing Options, consult factory)



| Catalog No | No. of Terminals | | Dimensions | | No. of Nuts |
|------------|------------------|----------------|------------|------|-------------|
| | w/stud conns | w/o stud conns | A | B | |
| 26TB 06F | 6 | 12 | 2.63 | 2.31 | 12 |
| 26TB 08F | 8 | 16 | 3.25 | 2.94 | 16 |
| 26TB 10F | 10 | 20 | 3.88 | 3.56 | 20 |
| 26TB 12F | 12 | 24 | 4.50 | 4.19 | 24 |

MM = Dim X 25.4



WWW.MARATHONSP.COM
1-419-352-8441

PDS 0312 REV A 10/21/08