

SEALED, ILLUMINATED ROCKER SWITCHES

LOW COST, SNAP-IN ROCKER FOR WET AND DUSTY ENVIRONMENTS; 1 AND 2 POLES

The K series rockers are rugged, high performance sealed switches designed for use under severe conditions found in marine, appliance, heavy equipment and industrial control applications. They are designed to meet the international submersion specification level IP68. An optional panel seal is also available.

The K1 series is offered in single pole configuration while the K2 series is available in single and double pole configurations. Both series offer illuminated models. Illumination can be independent or dependent of the switch position or a combination of both. A choice of red, green, clear or amber colored lens are offered in illuminated models. Illumination options include incandescent, LED or neon light sources.

Mounting is simple and quick; snaps into panel from the front. The OTTO snap-in design supports a variety of panel thicknesses with just one cut-out size specified.

A choice of models are offered to handle power levels to 16 amperes, 1/2 HP and low level electronic switching applications.

OTTO can provide custom colors upon request. Value-added assemblies with wire leads are also available. Please consult the factory for assistance.



K1 Series
Single Pole



K2 Series
Single & Double Pole



Quality Features:

- Withstands direct water spray
- Submersible. Designed to meet IP68
- Fits industry standard panel openings for drop-in replacement of panel sealed and unsealed switches
- Snap-in feature accommodates a wide range of panel cut-outs
- Switches up to 16 amps
- UV and Solvent resistant
- Withstands extreme shock & vibration
- Custom legends available
- 2- & 3-position, momentary and maintained action
- Incandescent, LED and neon illumination with independent and dependent light source options
- UL and CSA recognized

Standard Characteristics/Ratings:		
OPERATIONAL:		
Mechanical Life:	100,000 cycles, minimum	
Seal:	Watertight, submersible to IP68	
Temperature Range:	-30°C to +85°C	
Button & Case:	Thermoplastic	
Terminals:	Brass alloy	
Contacts:	Fine Silver/Silver Cad. oxide	
ELECTRICAL: (at 28 VDC or 125 VAC)		
LOAD	RATING	LIFE (Min.)
Resistive	16A	25,000 cycles
Resistive	10A	50,000 cycles
Inductive	10A	25,000 cycles
Lamp	5A	25,000 cycles
Motor	1/2HP	25,000 cycles
Dielectric Withstand: 1050V rms — Except across light terminals		

SEALED, ILLUMINATED ROCKER SWITCHES

LOW COST, SNAP-IN ROCKER FOR WET AND DUSTY ENVIRONMENTS; 1 AND 2 POLES

K1 Series PART

K1

X

**Terminal Style/
Switch Rating**

- A. Q.C./Standard
- B. Screw/Standard
- C. Solder/Standard
- D. Q.C./Low level
- E. Screw/Low level
- F. Solder/Low level
- G. P.C. Pin/Standard
- H. P.C. Pin/Low level

X

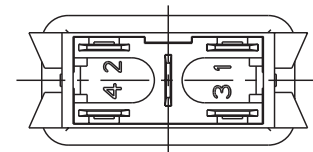
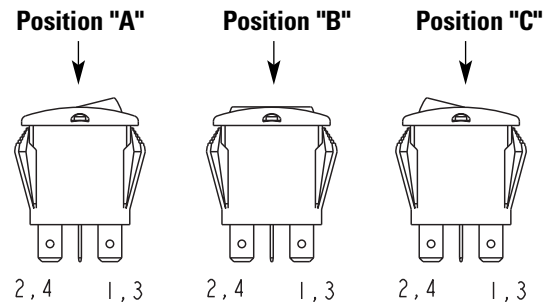
**Actuator
Color/Style**

- A. Red/Rocker
- B. Black/Rocker
- C. White/Rocker
- D. Red/Paddle
- E. Black/Paddle
- F. White/Paddle
- G. Red/Rocker Pinned
- H. Black/Rocker Pinned
- J. White/Rocker Pinned
- K. Red/Short Paddle Pinned
- L. Black/Short Paddle Pinned
- M. White/Short Paddle Pinned
- N. Red/Standard Paddle Pinned
- P. Black/Standard Paddle Pinned
- R. White/Standard Paddle Pinned
- T. Red/Short Paddle
- U. Black/Short Paddle
- V. White/Short Paddle

X

Switch Action/Circuit

Code	Position			Circuit
	"A"	"B"	"C"	
A.	ON	None	OFF	SPST
B.	ON	None	ON	SPDT
C.	MOM-ON	None	OFF	SPST
D.	MOM-ON	None	ON	SPDT
E.	MOM-ON	OFF	MOM-ON	SPDT
F.	ON	OFF	ON	SPDT
G.	MOM-ON	OFF	ON	SPDT



NOTES

- No momentary switches with dependent lights
- Neon lamps only to be coded with clear or Amber lenses
- LED lenses must be clear or same color as LED
- No dependent light in OFF positions
- All legends will be white except for actuator codes C, F, J, M, R, and V will be black

SEALED, ILLUMINATED ROCKER SWITCHES

LOW COST, SNAP-IN ROCKER FOR WET AND DUSTY ENVIRONMENTS; 1 AND 2 POLES

NUMBERING CODE

X	X	X	X	X
Light Type	Lens Color	Position	Light/Circuit Location	Legend and Orientation
<p>A. No Light B. 6 V Incandescent C. 12 V Incandescent D. 24 V Incandescent E. 125 VAC Neon F. 250 VAC Neon G. 2 V Red LED H. 2 V Green LED J. 2 V Amber LED K. 6 V Red LED L. 6 V Green LED M. 6 V Amber LED N. 12 V Red LED P. 12 V Green LED Q. 12 V Amber LED R. 24 V Red LED S. 24 V Green LED T. 24 V Amber LED</p>	<p>Position "A"</p> <p>A. No Lens B. Red C. Green D. Amber E. Clear</p>	<p>Position "C"</p> <p>A. No Lens B. Red C. Green D. Amber E. Clear</p>	<p>A. No Light</p> <p>D = Dependent I = Independent</p>	<p>A. None</p>

- Light on OFF side must be independent ON-NONE-Off
- Contact factory for multiple light types in the same switch

K1 SERIES

SHORT PADDLE STYLE ROCKER

STANDARD PADDLE STYLE ROCKER

Panel cut out dimensions are for reference only. Differences in panel material and thickness may require changes to the panel cut out for optimum fit. Optional Panel Gasket P/N 807038-1

RECOMMENDED PANEL THICKNESS: .025 MIN. - .187 MAX
 RECOMMENDED PANEL OPENING: .480 X 1.012

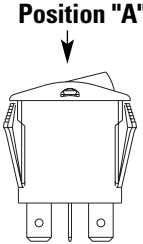
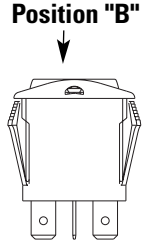
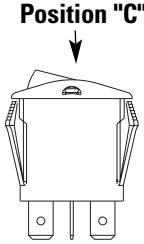
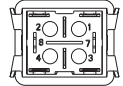
TERMINAL STYLES
 ALL TERMINALS ARE .032 THICK

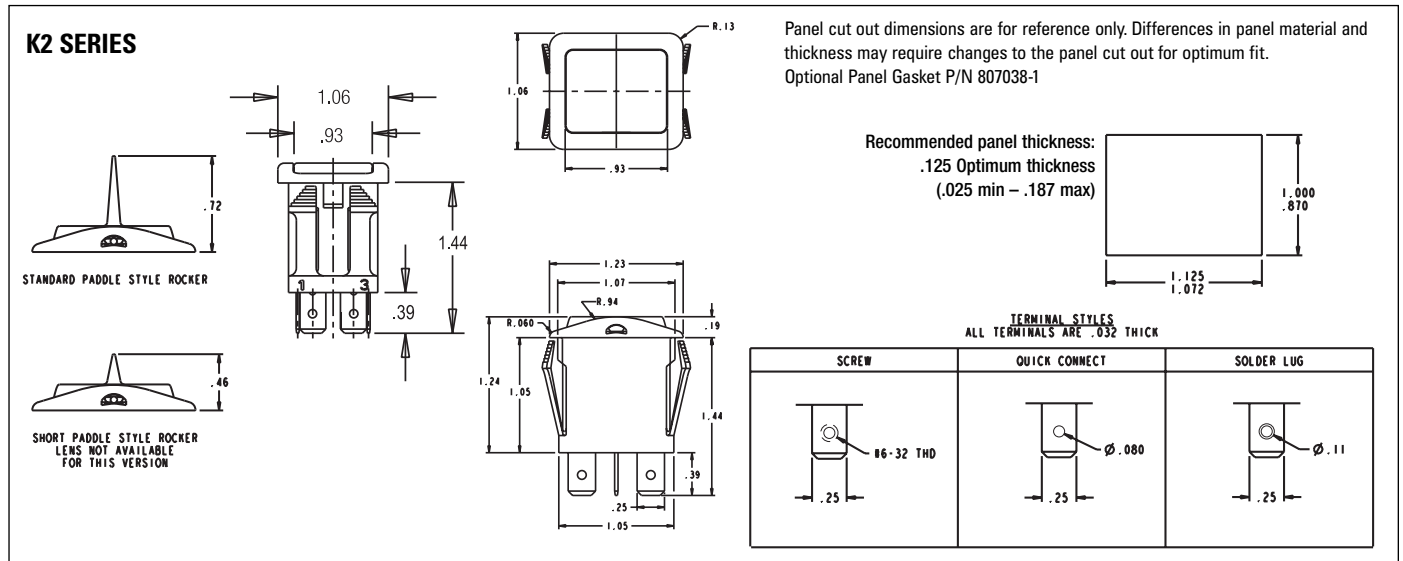
SCREW	QUICK CONNECT	SOLDER LUG	P.C. PIN
Ø6-32 THD	Ø.080	Ø.11	
.25	.25	.25	.25

SEALED, ILLUMINATED ROCKER SWITCHES

LOW COST, SNAP-IN ROCKER FOR WET AND DUSTY ENVIRONMENTS; 1 AND 2 POLES

K2 Series PART

K2	X	X	X	X
	Terminal Style/ Switch Rating	Actuator Color/Style	Switch Action/Circuit	Light Type
	A. Q.C./Standard B. Screw/Standard C. Solder/Standard D. Q.C./Low level E. Screw/Low level F. Solder/Low level	A. Red Rocker B. Black Rocker C. White Rocker D. Red Paddle E. Black Paddle F. White Paddle G. Red/Short/ Paddle Pinned H. Black/Short/ Paddle Pinned J. White/Short/ Paddle Pinned For custom colors, contact factory.	Position Code "A" "B" "C" Circuit A. ON None OFF SPST B. ON None ON SPDT C. MOM-ON None OFF SPST D. MOM-ON None ON SPDT E. MOM-ON OFF MOM-ON SPDT F. ON OFF ON SPDT G. MOM-ON OFF ON SPDT H. ON None OFF DPST J. ON None ON DPDT K. MOM-ON None OFF DPST L. MOM-ON None ON DPDT M. MOM-ON OFF MOM-ON DPDT N. ON OFF ON DPDT P. MOM-ON OFF ON DPDT Q. ON None MOM-ON SPDT R. OFF None MOM-ON SPST S. ON None MOM-ON DPDT T. OFF None MOM-ON DPST U. ON OFF MOM-ON SPDT V. ON OFF MOM-ON DPDT	A. No Light B. 6 V Incandescent C. 12 V Incandescent D. 24 V Incandescent E. 125 VAC Neon F. 250 VAC Neon G. 2 V Red LED H. 2 V Green LED J. 2 V Amber LED K. 6 V Red LED L. 6 V Green LED M. 6 V Amber LED N. 12 V Red LED P. 12 V Green LED Q. 12 V Amber LED R. 24 V Red LED S. 24 V Green LED T. 24 V Amber LED
	 Position "A"	 Position "B"	 Position "C"	
				



SEALED, ILLUMINATED ROCKER SWITCHES

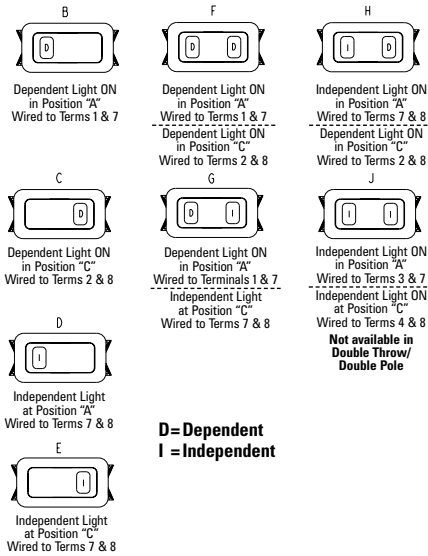
LOW COST, SNAP-IN ROCKER FOR WET AND DUSTY ENVIRONMENTS; 1 AND 2 POLES

NUMBERING CODE

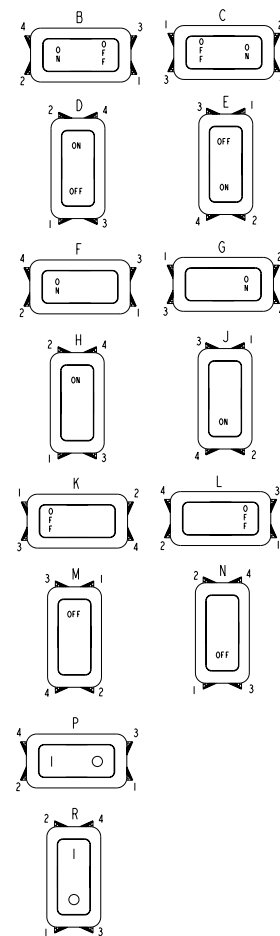


- | | |
|---------------------|---------------------|
| Position "A" | Position "C" |
| A. No Lens | A. No Lens |
| B. Red | B. Red |
| C. Green | C. Green |
| D. Amber | D. Amber |
| E. Clear | E. Clear |

A. No Light



A. None



NOTES

- No momentary switches with dependent lights
- Neon lamp only to be coded with clear or amber lenses
- LED lenses must be clear or same color as the lens
- No dependent light in OFF positions
- All legends will be White except for actuator code C, F, and J will be Black

- **K2 Connector part number C801765**
- **Recommended Quick Connect Terminals:**
 - AMP 60253-2 for 12-16 AWG wire with .160"-.210" insulation OD
 - AMP 42100-2 for 14-18 AWG wire with .100"-.170" insulation OD
- **K1 Panel Plug part number C100694-2**
- **K2 Panel Plug part number C100695-2**

- Light on OFF side must be independent ON-NONE-Off
- Contact factory for multiple light types in the same switch