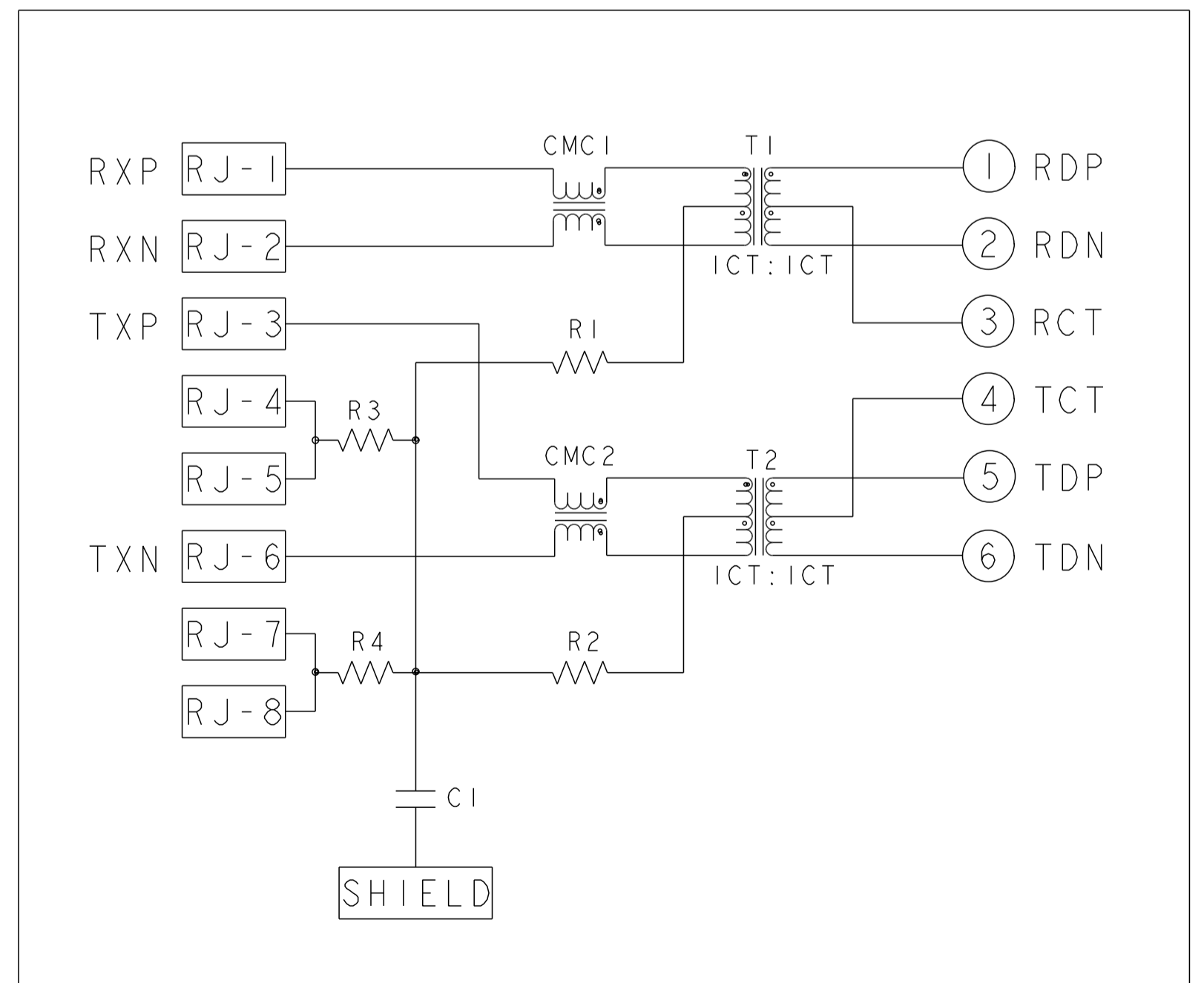


S866ETP9 10/100 BASE-T CIRCUIT $\Delta\Delta$
 TOP AND BOTTOM PORTS

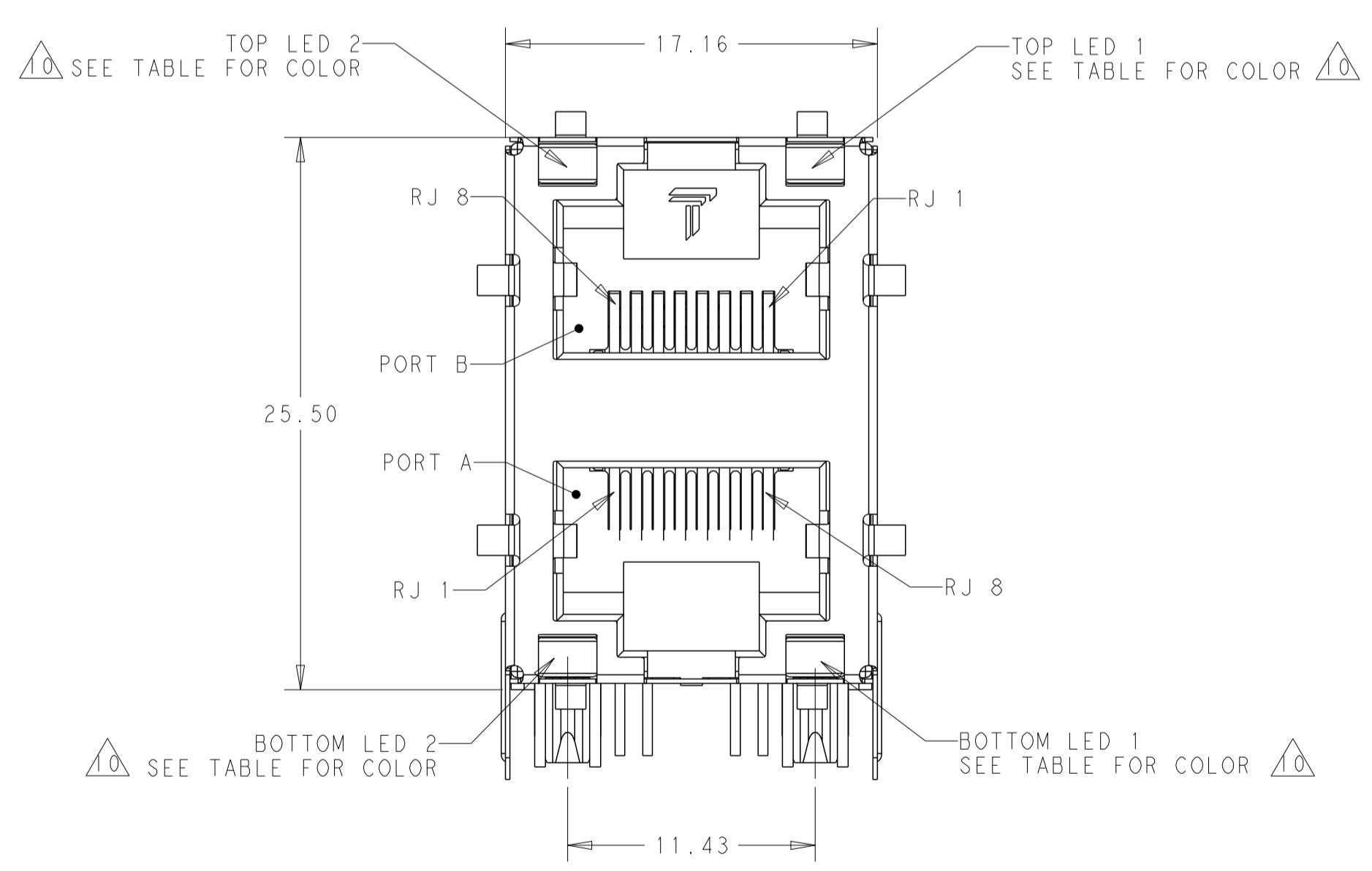
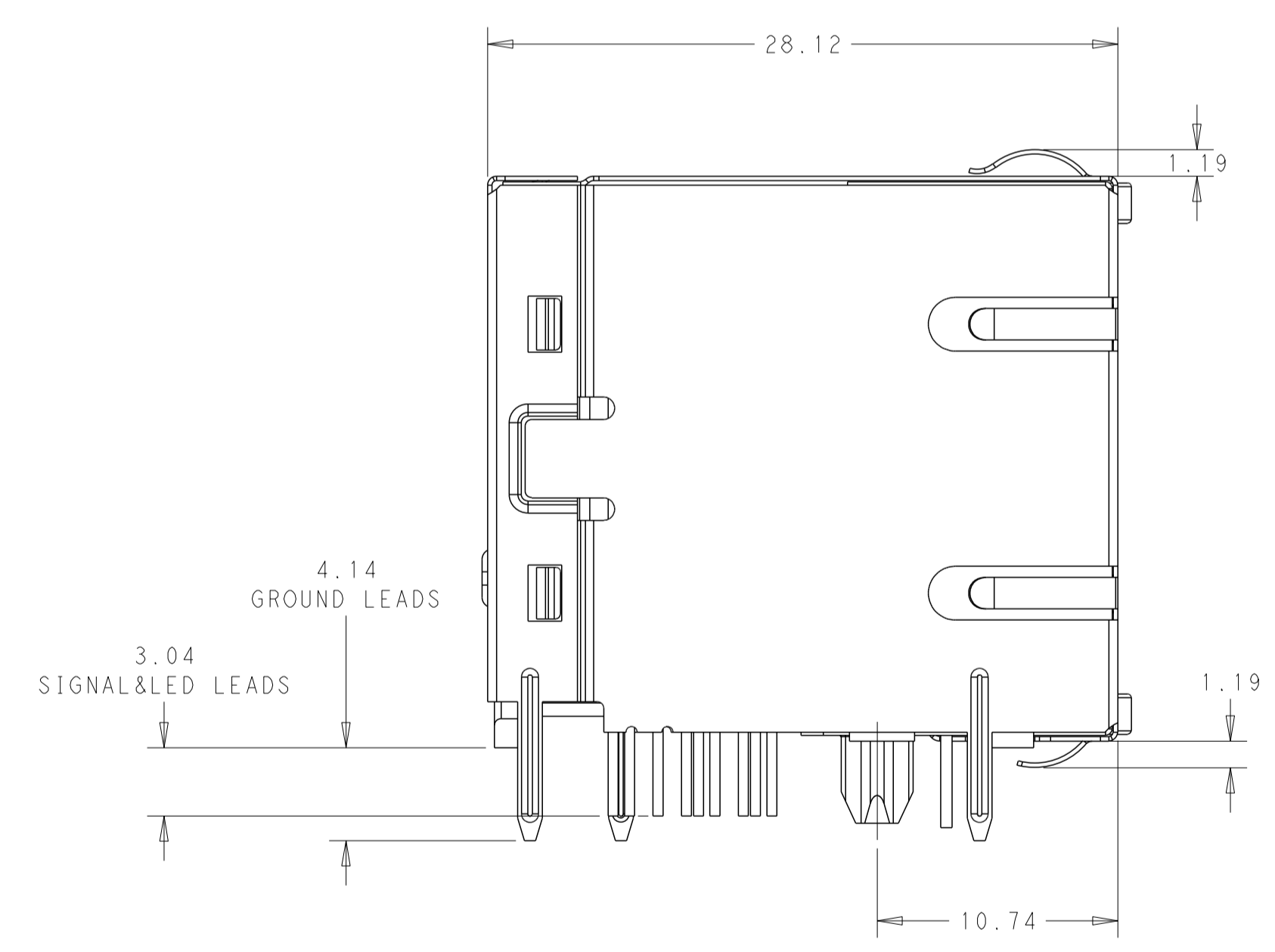
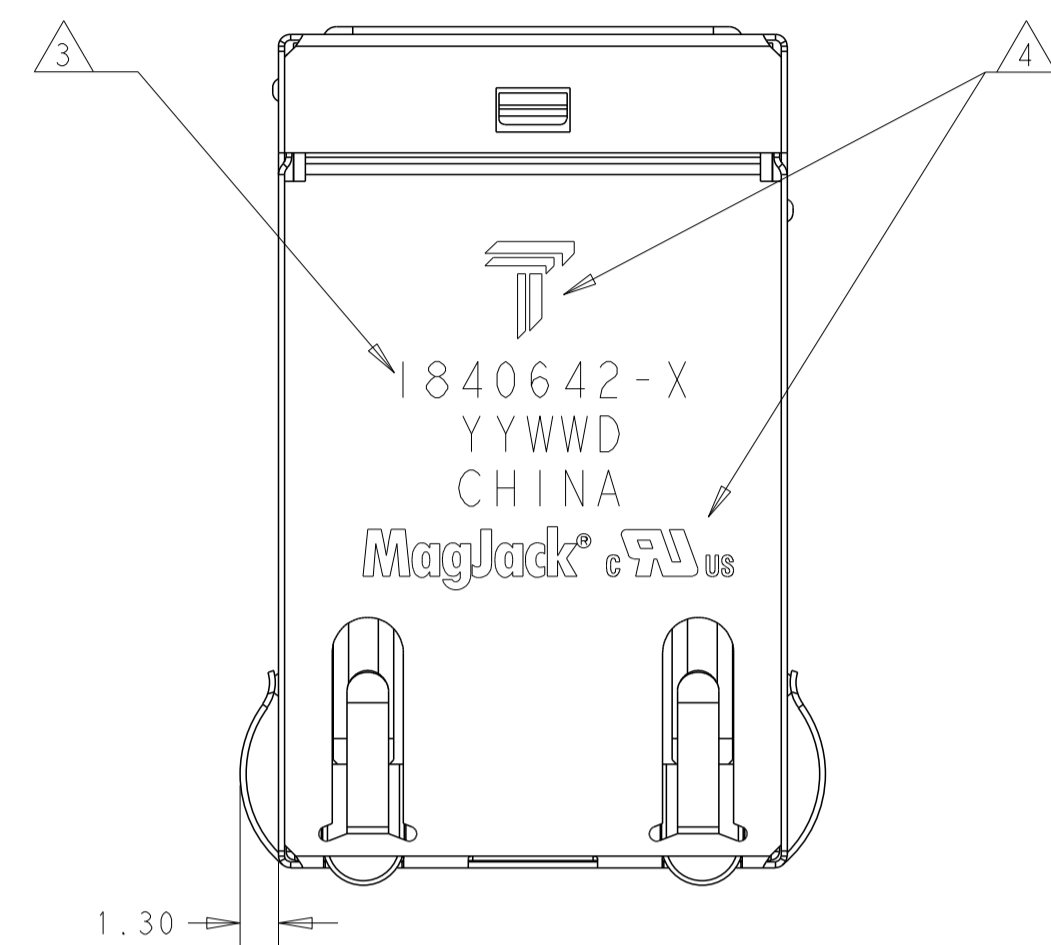


C1 = 1000pF, 2kV, X7R DECOUPLING CAPACITOR
 R1-R4 = 75 Ohms, 1/16 W, RESISTORS

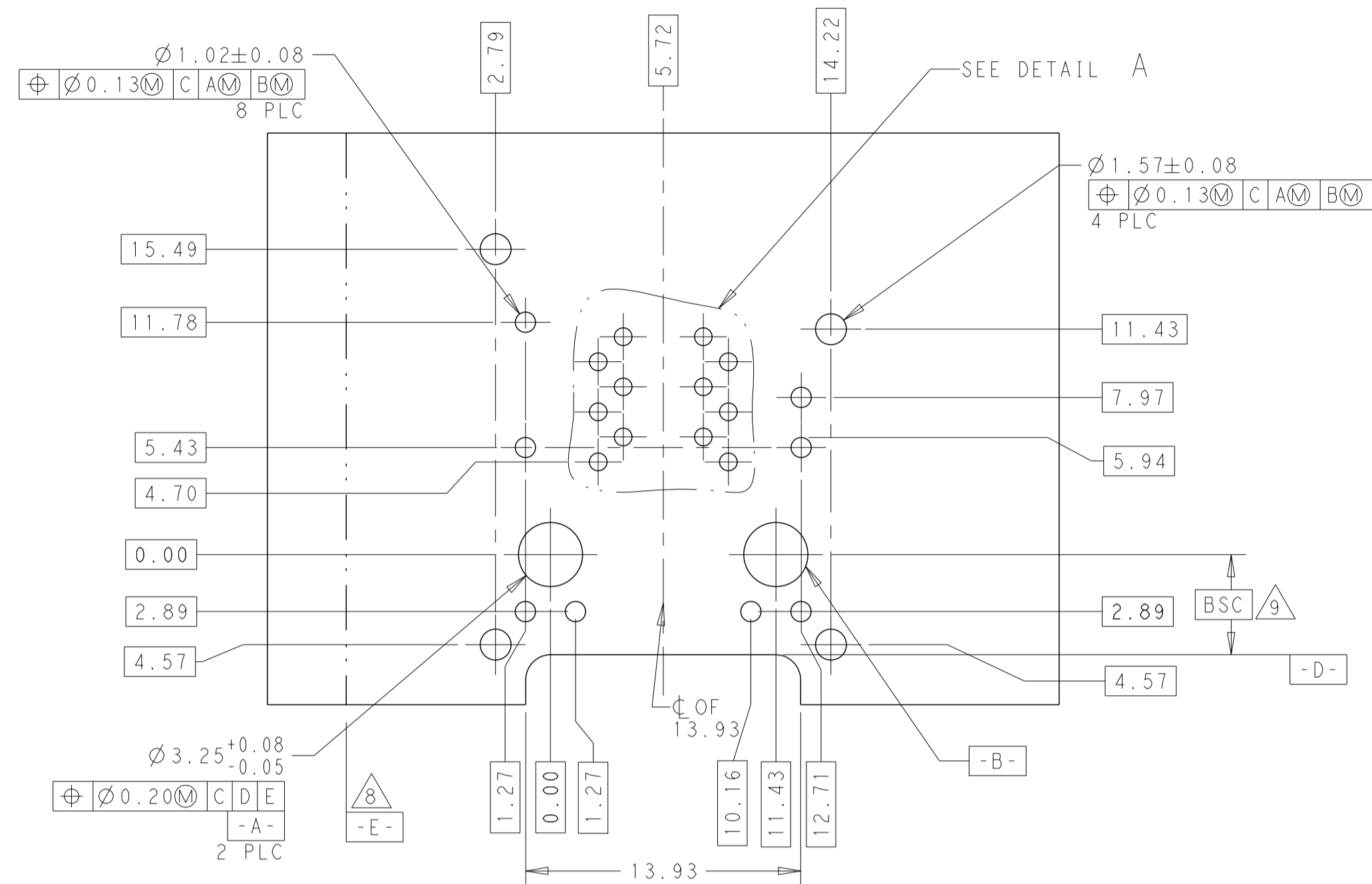
- 1. MATERIALS:
 PLASTIC HOUSING: BLACK, THERMOPLASTIC FLAMMABILITY RATING UL 94V-0
 SHIELD: BRASS, PREPLATED WITH 0.76um MIN SEMI-BRIGHT NICKEL,
 POST DIPPED WITH 2.54um MIN SAC SOLDER ON SOLDER TAILS,
 CONTACTS: PHOSPHOR BRONZE, 1.27um MIN OVERALL NICKEL
 UNDERPLATE WITH SELECT 1.27um MIN GOLD AT MATING INTERFACE
 AND 2.54um MIN MATTE TIN ON SOLDER TAILS.
 ALL PC BOARDS: HIGH TEMPERATURE PCB, TG>170°C
- 2. MAGNETICS
 APPLICATION: 10/100 BASE-T
 IMPEDANCE: 100 OHMS
 TURNS RATIO (CHIP:CABLE): TX = 1:1, RX = 1:1
 OPEN CIRCUIT INDUCTANCE (OCL): 350uH MIN @100kHz, 0.1VRMS,
 8mADC BIAS FROM -40°C TO +85°C, TX AND RX
 PERFORMANCE @ 25°C:
 INSERTION LOSS (IL): 1.1dB MAX FROM 0.5MHz TO 100MHz
 RETURN LOSS (RL): 18dB MIN FROM 0.5MHz TO 30MHz
 18-20LOG(f/30)dB MIN FROM 30.1MHz TO 60MHz
 12dB MIN FROM 60.1MHz TO 80MHz
 CROSSTALK ATTENUATION: 35dB MIN FROM 0.5MHz TO 40MHz
 33-20LOG(f/50)dB MIN FROM 40.1MHz TO 100MHz
 COMMON MODE REJECTION RATIO (CMRR): 30dB MIN FROM 0.5MHz TO 100MHz
 ISOLATION VOLTAGE: 2250VDC (MAX) FOR 60 SECONDS WITH A RISE TIME
 OF 500V/SEC AND WITH ALL PORTS CONNECTED.
- 3. PART NUMBER, DATE CODE AND COUNTRY OF ORIGIN ARE LOCATED
 IN APPROXIMATE AREA SHOWN. DATE CODE: "YY" IS YEAR, "WW" IS
 WORK WEEK, "D" IS DAY OF WEEK, WITH SUNDAY=1
- 4. TRP CONNECTOR LOGO AND AGENCY APPROVAL LOGO ARE
 LOCATED IN APPROXIMATE AREA SHOWN.
- 5. OPERATING TEMP: FROM -40°C TO +85°C.
- 6. RJ45 CAVITY CONFORMS TO FCC RULES AND REGULATION PART 68 SUBPART F.
- 7. INDICATED MAGNETIC CONNECTIONS ARE SYMMETRICAL AND
 SUPPORT AUTO-MDI/MDIX.
- 8. DATUM AND BASIC DIMENSION ESTABLISHED BY CUSTOMER.
- 9. BASIC DIMENSION ESTABLISHED BY CUSTOMER, BUT MAY NOT BE
 GREATER THAN 5.08mm.
- 10. LEDs ARE DRIVEN WITH CONSTANT CURRENT AT APPROX 20mA
 LED COLOR: DOMINANT WAVELENGTH (ID): GREEN 568 nm TYP. @ IF=20mA
 FORWARD VOLTAGE (VF): GREEN 2.2V TYP. @ IF=20mA
 DOMINANT WAVELENGTH (ID): YELLOW 588 nm TYP. @ IF=20mA
 FORWARD VOLTAGE (VF): YELLOW 2.1V TYP. @ IF=20mA
- 11. THIS PART IS RECOMMENDED FOR WAVE SOLDERING PROCESS,
 PEAK TEMPERATURE 260°C MAX, 10 SECONDS MAX.

GREEN/YELLOW	GREEN/YELLOW	GREEN/YELLOW	GREEN/YELLOW	1840642-4
GREEN	YELLOW	GREEN	YELLOW	1840642-3
BOTTOM LED 2	BOTTOM LED 1	TOP LED 2	TOP LED 1	PART NUMBER

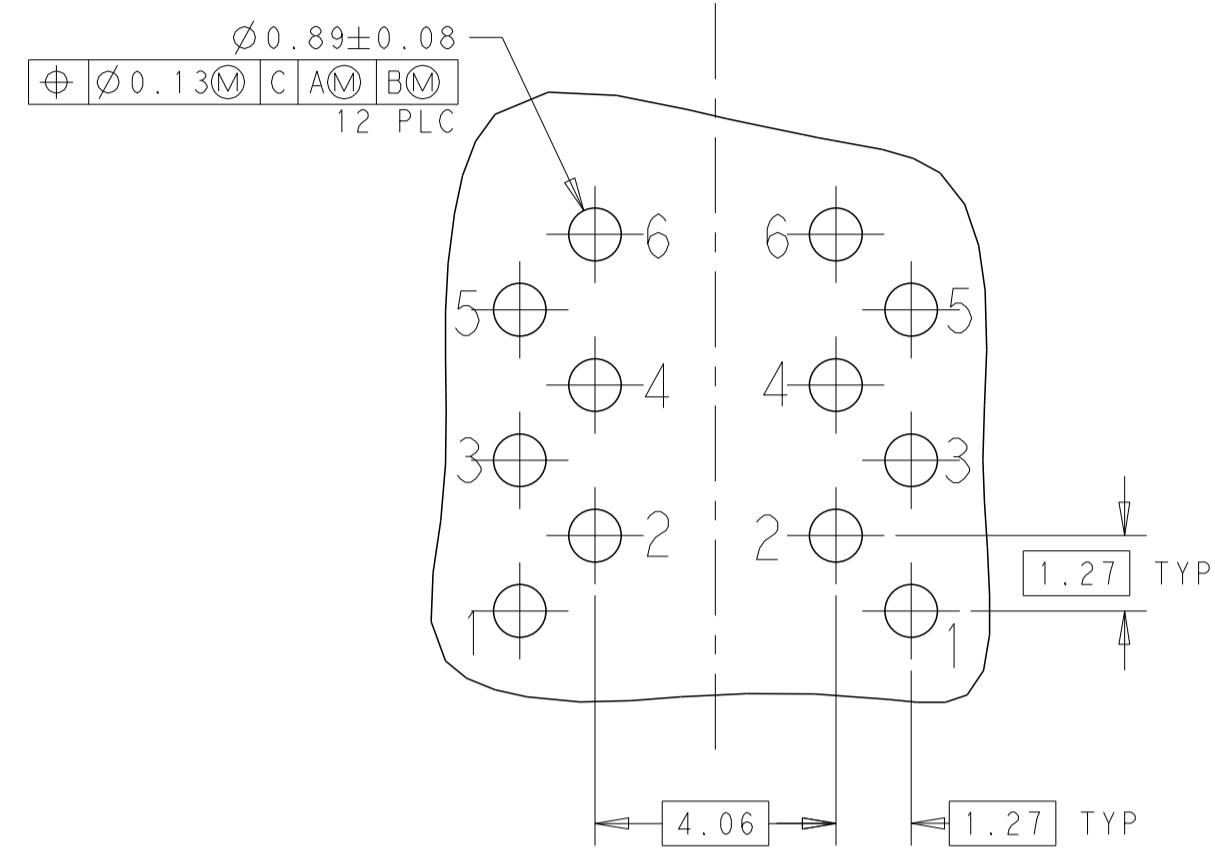
THIS DRAWING IS A CONTROLLED DOCUMENT.		DWG: PAUL/SEAN 24MAY2011	trp CONNECTOR a bel group DONGGUAN CHINA
DIMENSIONS: mm		CHK: QUENTIN LIU 24MAY2011	
TOLERANCES UNLESS OTHERWISE SPECIFIED:		APVD: LIUJUN RAO 24MAY2011	
0 PLC ±0.25 1 PLC ±0.25 2 PLC ±0.25 3 PLC ± 4 PLC ± ANGLES ±		MODEL NAME: MAGJACK	
PRODUCT SPEC: 108-10004	APPLICATION SPEC: -	DESC: 2X1 S866ETP9 10/100 W/ LED	SIZE: A1
CUSTOMER DRAWING		SCALE: NTS	SHEET 1 OF 4



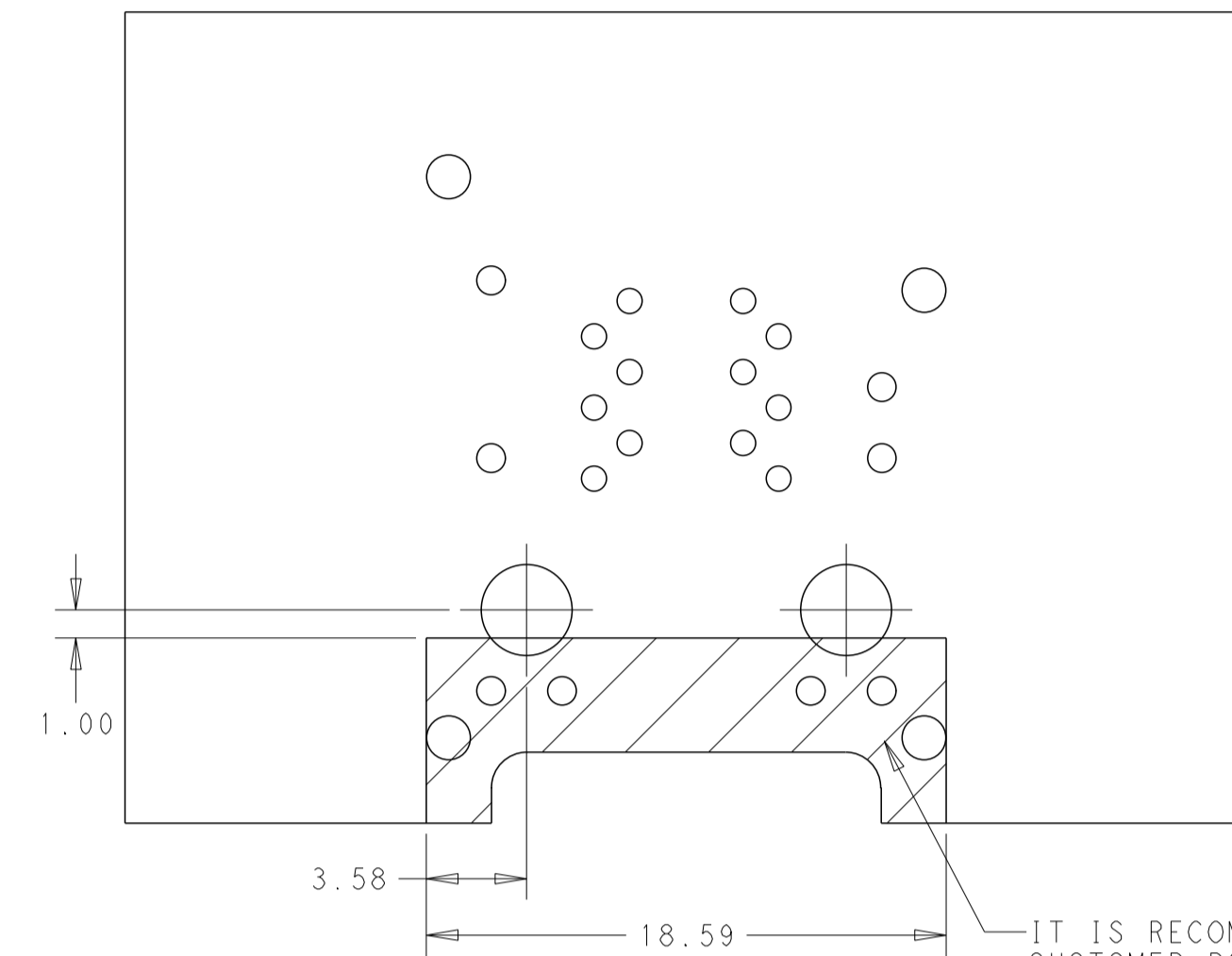
THIS DRAWING IS A CONTROLLED DOCUMENT.		DRW: PAUL/SEAN 24MAY2011	 DONGGUAN CHINA
		CHK: QUENTIN LIU 24MAY2011	
		APPV: LIJUN RAO 24MAY2011	
DIMENSIONS:	TOLERANCES UNLESS OTHERWISE SPECIFIED:	MODEL NAME	DESC
mm	0 PLC ±0.25	MAGJACK	2X1 S866ETP9 10/100 W/ LED
	1 PLC ±0.25	STACK Non-PoE	SIZE CAGE CODE DRAWING NO
	2 PLC ±0.25		A1 C=1840642
	3 PLC ±		RESTRICTED TO
	4 PLC ±		
	ANGLES ±		
PRODUCT SPEC	APPLICATION SPEC	CUSTOMER DRAWING	SCALE NTS SHEET 2 OF 4 REV D
108-104004	-		



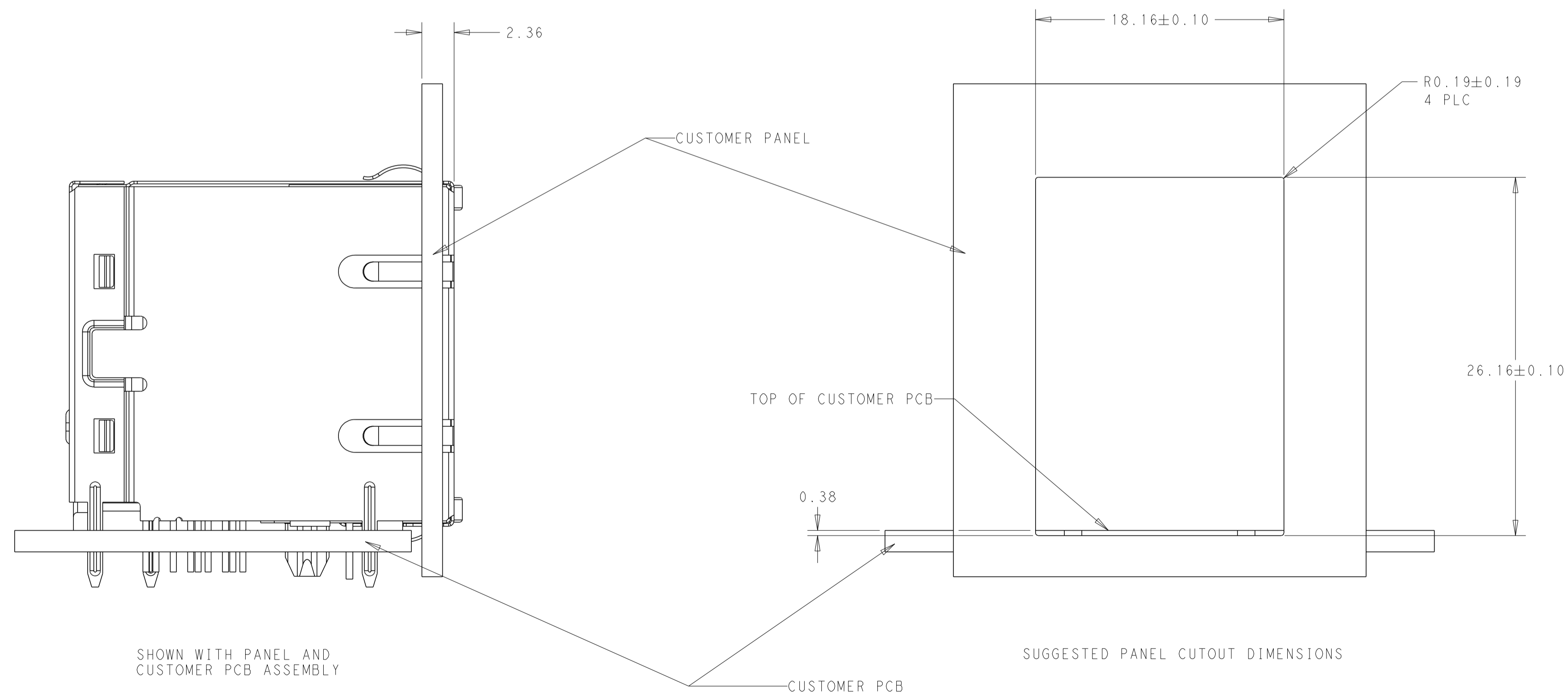
RECOMMENDED PCB LAYOUT COMPONENT SIDE VIEW



DETAIL A SCALE 8:1



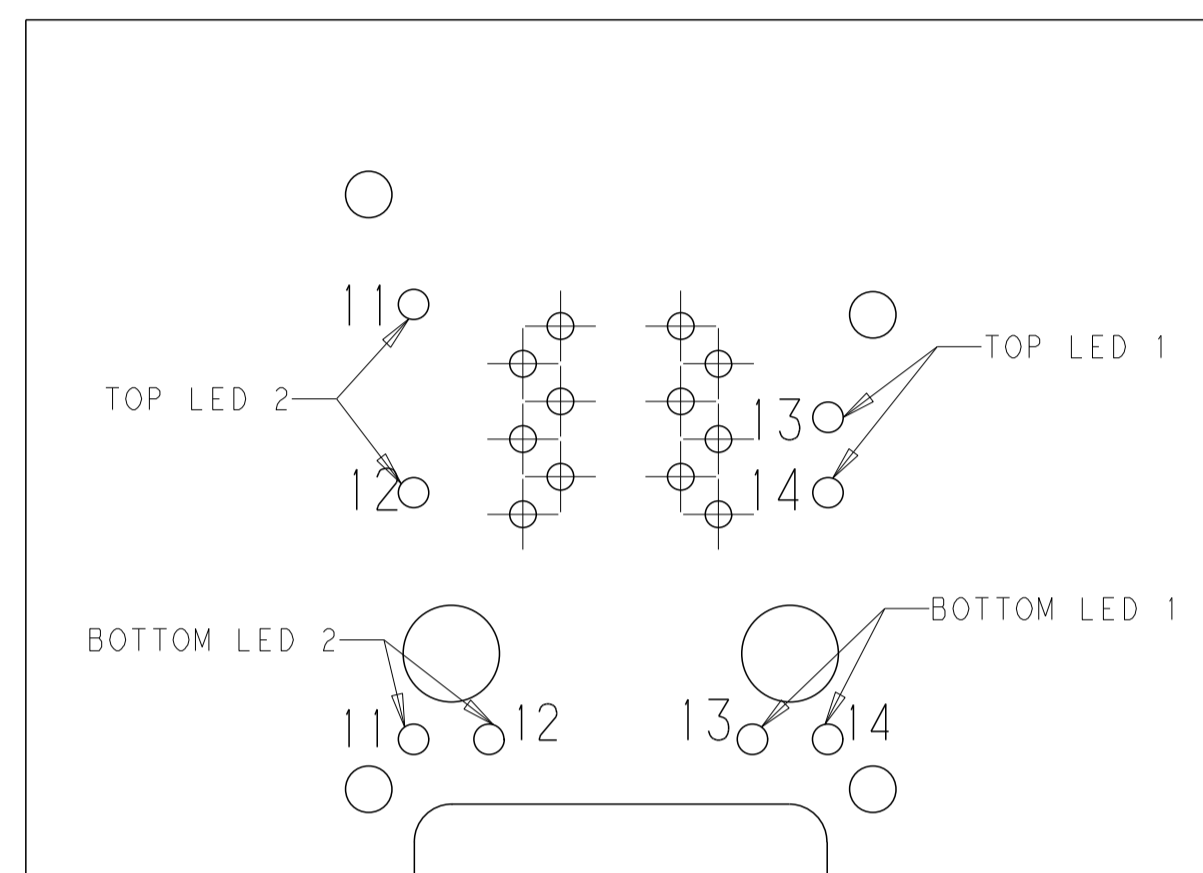
IT IS RECOMMENDED THAT SHADED AREA OF CUSTOMER PC BOARD BE CLEAR OF ANY VIA HOLE, COMPONENT AND CIRCUIT TRACE



SHOWN WITH PANEL AND CUSTOMER PCB ASSEMBLY

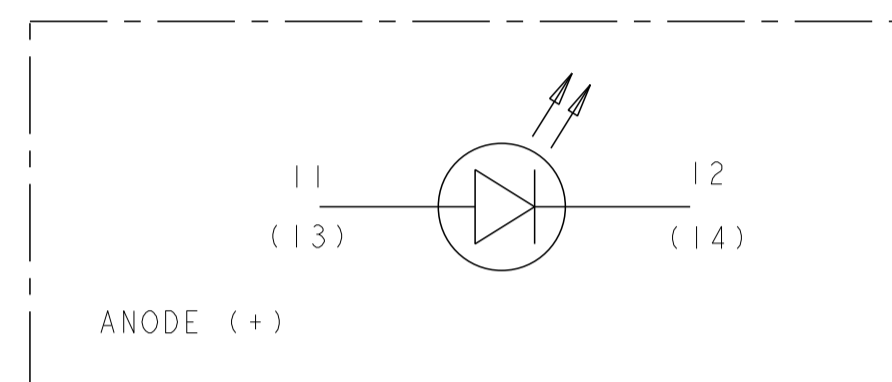
SUGGESTED PANEL CUTOUT DIMENSIONS

THIS DRAWING IS A CONTROLLED DOCUMENT.		DWG: PAUL/SEAN 24MAY2011		DONGGUAN CHINA
DIMENSIONS: mm		CHK: QUENTIN LIU 24MAY2011		
		APVD: LIJUN RAO 24MAY2011		
TOLERANCES UNLESS OTHERWISE SPECIFIED:		MODEL NAME		DESC: 2X1 S866ETP9 10/100 W/ LED
0 PLC	±0.25	MAGJACK		SIZE: A1
1 PLC	±0.25	STACK Non-PoE		CAGE CODE: C=1840642
2 PLC	±0.25	CUSTOMER DRAWING		DRAWING NO: 108-104004
3 PLC	±	SCALE: NTS		SHEET 3 OF 4
4 PLC	±	REVISIONS		REV: D
ANGLES	±	APPROVALS		
APPLICATION SPEC	±	DATE		
PRODUCT SPEC	±	DRAWN BY		
108-104004		CHECKED BY		

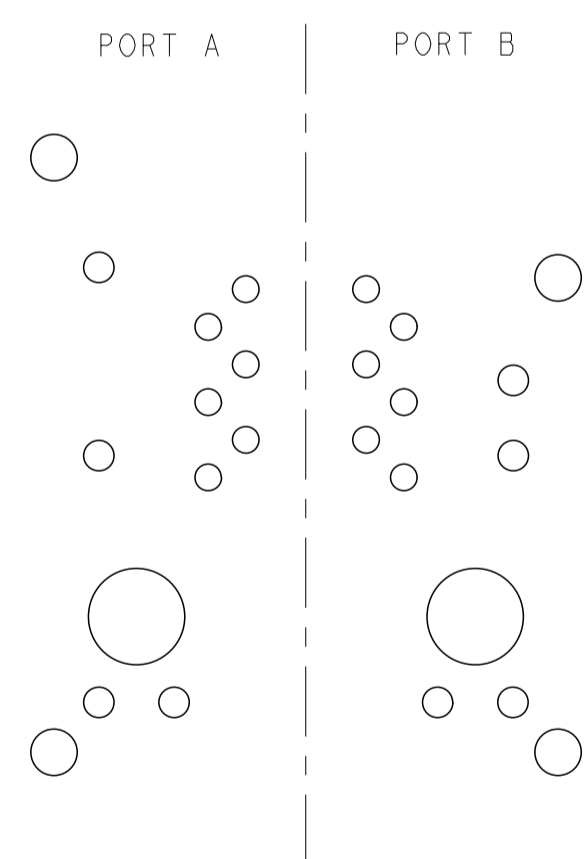
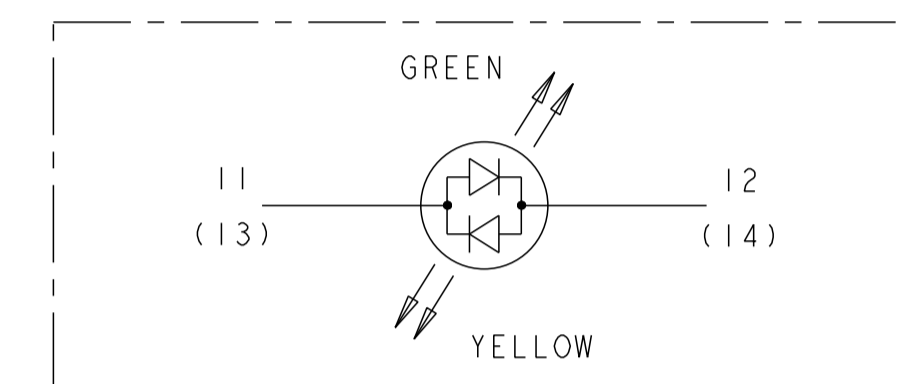



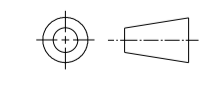
LED HOLE DESIGNATIONS VIEWED FROM COMPONENT SIDE

SINGLE COLOR LED



BI-COLOR LED



THIS DRAWING IS A CONTROLLED DOCUMENT.		DWO PAUL/SEAN 24MAY2011		 trp CONNECTOR <small>a bel group</small>	DONGGUAN CHINA
DIMENSIONS: mm		CHK QUENTIN LIU 24MAY2011			
		APVD LIJUN RAO 24MAY2011			
TOLERANCES UNLESS OTHERWISE SPECIFIED:		MODEL NAME		DESC	
0 PLC ±0.25		MAGJACK		2X1 S866ETP9 10/100 W/ LED	
1 PLC ±0.25		STACK Non-PoE		SIZE CAGE CODE DRAWING NO	
2 PLC ±0.25		CUSTOMER DRAWING		A1 C=1840642	
3 PLC ±		SCALE NTS		SHEET 4 OF 4	
4 PLC ±		REV D			
ANGLES					
APPLICATION SPEC					
108-104004					