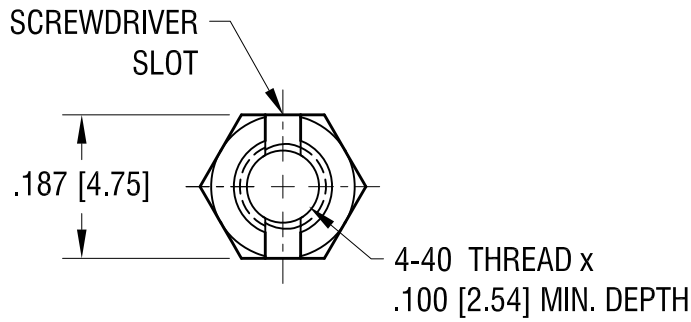
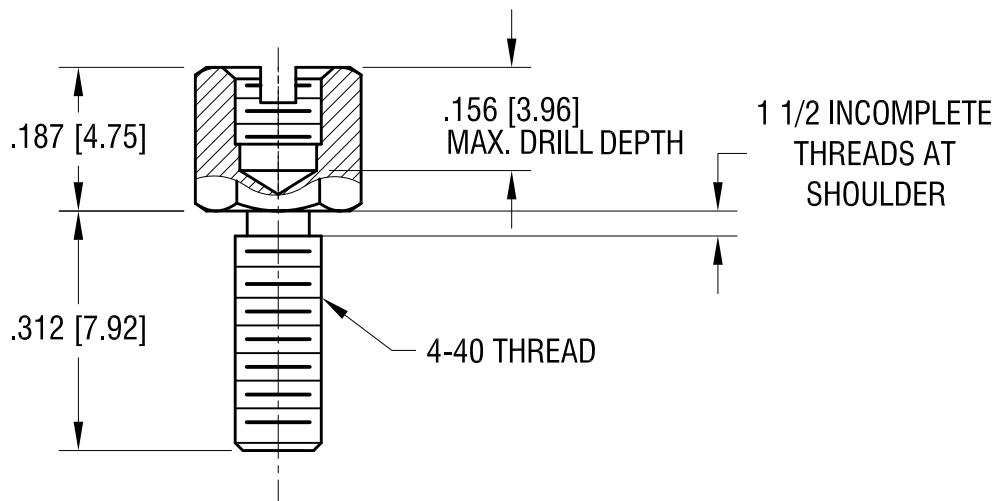
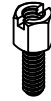


THIS DOCUMENT IS THE PROPERTY OF
KEYSTONE ELECTRONICS CORP. AND
SHALL NOT BE REPRODUCED, DISTRIBUTED
OR USED AS A BASIS FOR MANUFACTURE
WITHOUT PRIOR WRITTEN PERMISSION
FROM KEYSTONE ELECTRONICS CORP.



ACTUAL SIZE



NOTE:

1. FINISH: ZINC PLATE
AND TRIVALENT YELLOW CHROMATE

KEYSTONE ELECTRONICS CORP.

www.keyelco.com • NEW HYDE PARK, NY 11040 • Tel (516) 328-7500

PART NAME

JACK SCREW W/ SLOT

MATERIAL

STEEL

FINISH

AS NOTED

DRN BY

BOONE

DATE

3.10.06

APP'D

RH

SCALE

4X

TOLERANCES

INCH [MM]

DECIMAL ± .005 [± 0.13]

CODE

ANGULAR ± 1°
UNLESS OTHERWISE SPECIFIED

C

DWG NO.

7271

6.17.24	CALL OUT THREAD RELIEF	B
12.14.23	CHANGE AS PER ECN 23-312	A
DATE	DESCRIPTION	REV.