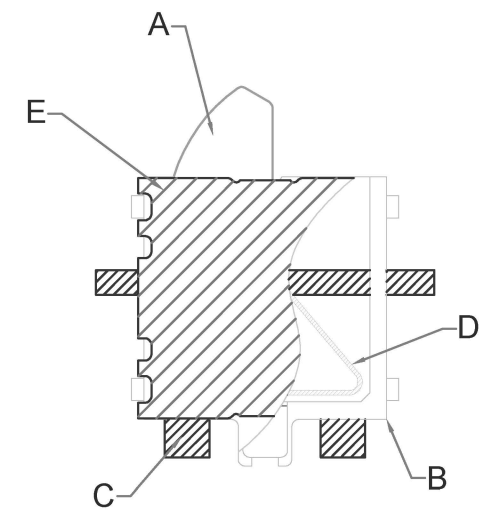
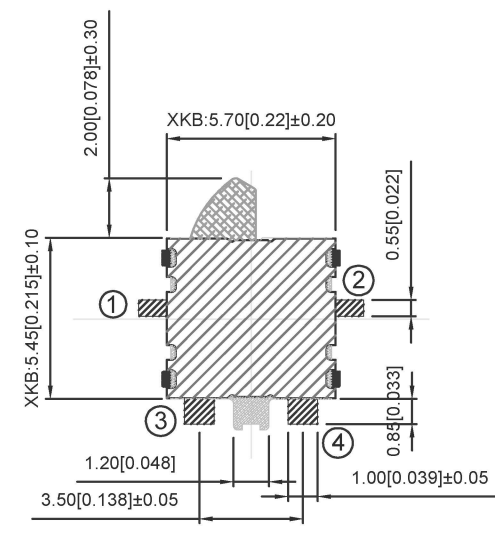
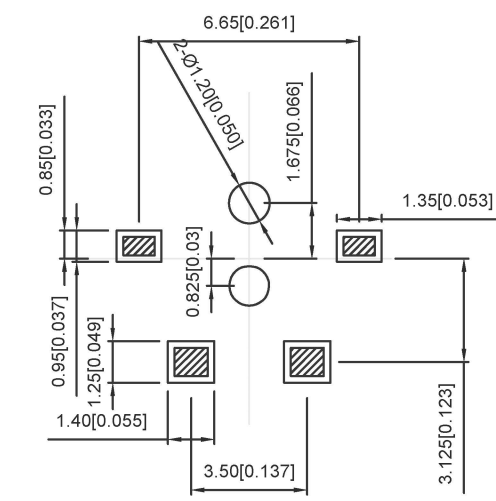


Rated range: 50mA DC12V  
 Insulation resistance:  $\geq 100M\Omega$ min (DC100V)  
 Contact resistance:  $\leq 300m\Omega$   
 Compressive strength: AC100V(50/60Hzfof1minute)  
 Mechanical life: 50000 cycles  
 Operating temperature:  $-10^{\circ}C \sim +60^{\circ}C$   
 Operation strength:  $50 \pm 30gf$

### PCB



E	lid	1	SUS	silvery white
D	Shrapnel	1	Silver copper	silvery white
C	Solder patch	1	Phosphor bronze	silvery white
B	base	1	PA66	black
A	Button	1	PA66	black
ITEM	PAPT NAMF	QTY	Material	colour

广东星坤科技股份有限公司

生 日期

ΔX 效 日期

ΔX 文件 工程 章

MARK DESCRIPTION REVISIONS

www.xk-dg.cn www.helloxkb.com www.helloxkb.cn

units:	mm
tolerance:	
X.X	±0.2mm
X.XX	±0.1mm
X.XXX	±0.05mm
UNSPECIFIED TOLERANCES	

DSND	DATE	SCALE: N/A
DWN	DATE	VIEW:
CHKD	DATE	UNIT: mm/in
APPD	DATE	SIZE: A4
XKB INDUSTRIAL PRECISION CO., LIMITED		

MODEL TYPE: DETECT SWITCH		
PART NO.:		
DWG NO.: TM-1627B		
WEIGHT	SHEET	REVISION
1.0g	1/1	A0