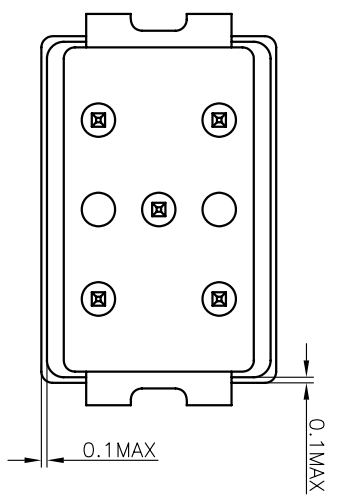
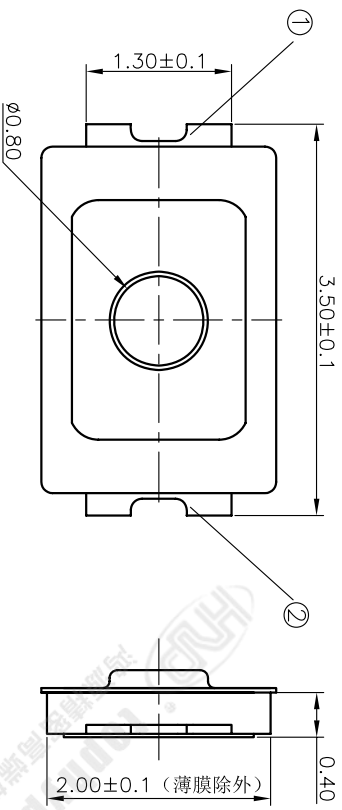
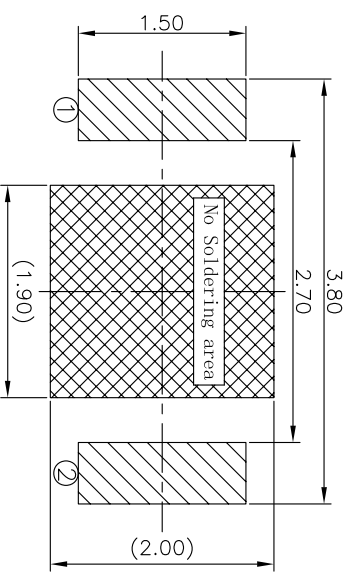
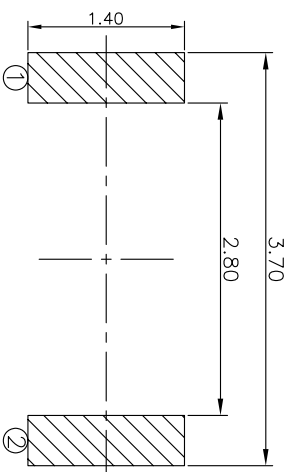
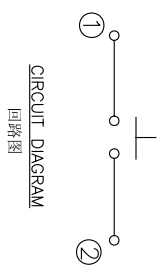
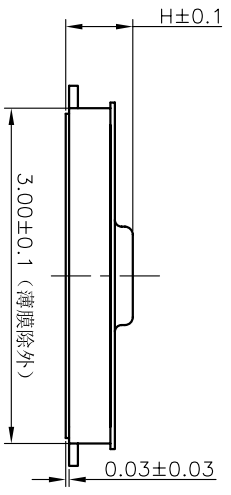


REV	ECN NO.	APPD
A	HC-17-0082	ZO



规格 Specifications

额定负荷 Rating	DC 12V/50mA
接触电阻 Contact Resistance	500mΩ max.
绝缘电阻 Insulation resistance	DC:100V 60S 100MΩ min.
抗电强度 Dielectric strength	AC250V/(50~60HZ) 60S min.
操作力 Operation force	160±30gf
	180±30gf
寿命试验 Operating Life	300,000 cycles
	240±50gf
行程 Travels	0.13±0.05mm



RECOMMENDED P.C.B. LAYOUT
安装尺寸图

LAND PATTERN PLAN
印刷电路板焊盘参考图

PRODUCT NO.: 1TS015A***-***-***-***-***

- 轻触开关
- 3X2系列
- 外形: A=两脚 B=四脚
- 按点颜色:
- 底座颜色:
- 贴膜颜色:
- 操作力度: 160=180gf, 180=180gf, 200=200gf, 220=220gf, 240=240gf
- 初始颜色: 则不启用
- 手感: 0=常规(弹片), 1=大手感(弹片), 2=小手感(弹片), 3=特殊手感(弹片)
- 产品高度(H): 050=0.5mm, 060=0.6mm, 070=0.7mm
- 材质: 0=初始材质, 1=新增材质, 依次增加
- 其它: CT=编带(非编带, 不启用)

ITEM	PART NAME	QUANTITY	MATERIAL	FINISH
5	KNOB	1	POLYAMIDE	BLACK
4	FILM	1	POLYAMIDE	WHITE
3	DOME	2	SUS301	Ag-PLATED
2	HOUSING	1	POLYAMIDE	BLACK
1	TERMINAL	1	PHOSPHOR BRONZE	Ag-PLATED

X. ± 0.2	X'. ± 0.2'	UNITS	MM
X ± 0.1	X' ± 0.1'	MAT'L	
.XX ± 0.01	.XX' ± 0.01'	FINISH	
.XXX ± 0.002	.XXX' ± 0.002'		

NAME(INTENDED USE)	3X2 SERIES TACT SWITCHES	TITLE:	PRODUCT DRAWING
PART NO.(INTENDED USE)	1TS015A***-***-***-***-***	APPD:	ZO 11/16/2017
CHKD:	LI 11/16/2017	DWG NO.:	1TS015A
DR:	WP.LU 11/16/2017	SCALE	SHEET 1/1
		REV.	A

HON YUAN
HON YUAN PRECISION IND. CO.,LTD.
SHENZHEN, CHINA, R.O.C.