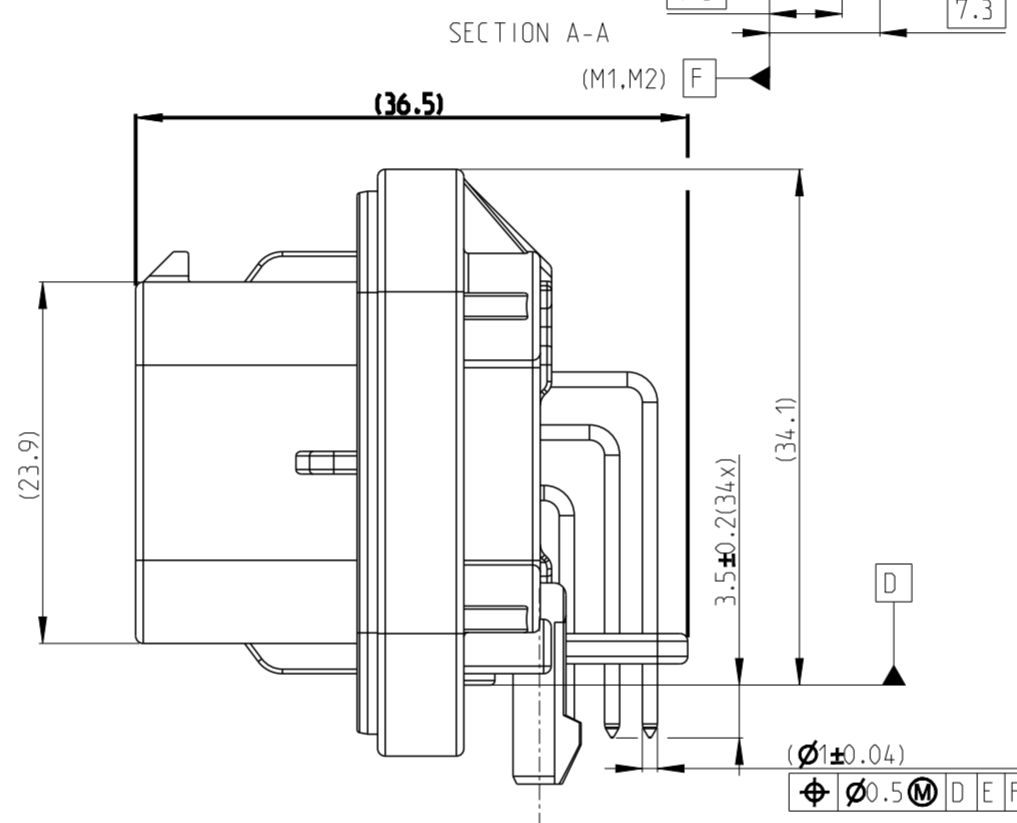
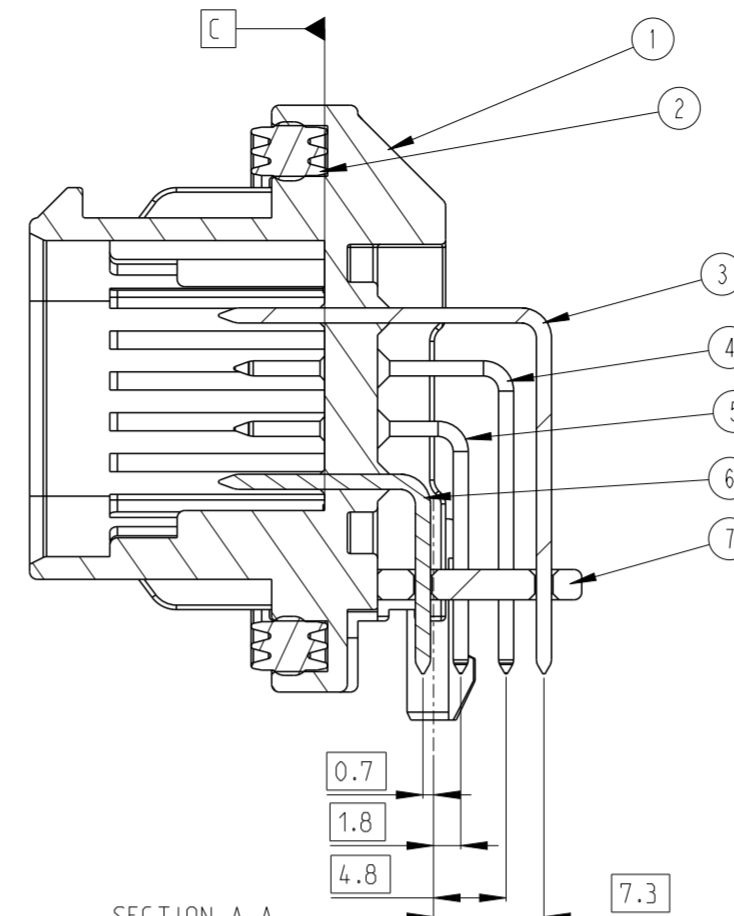
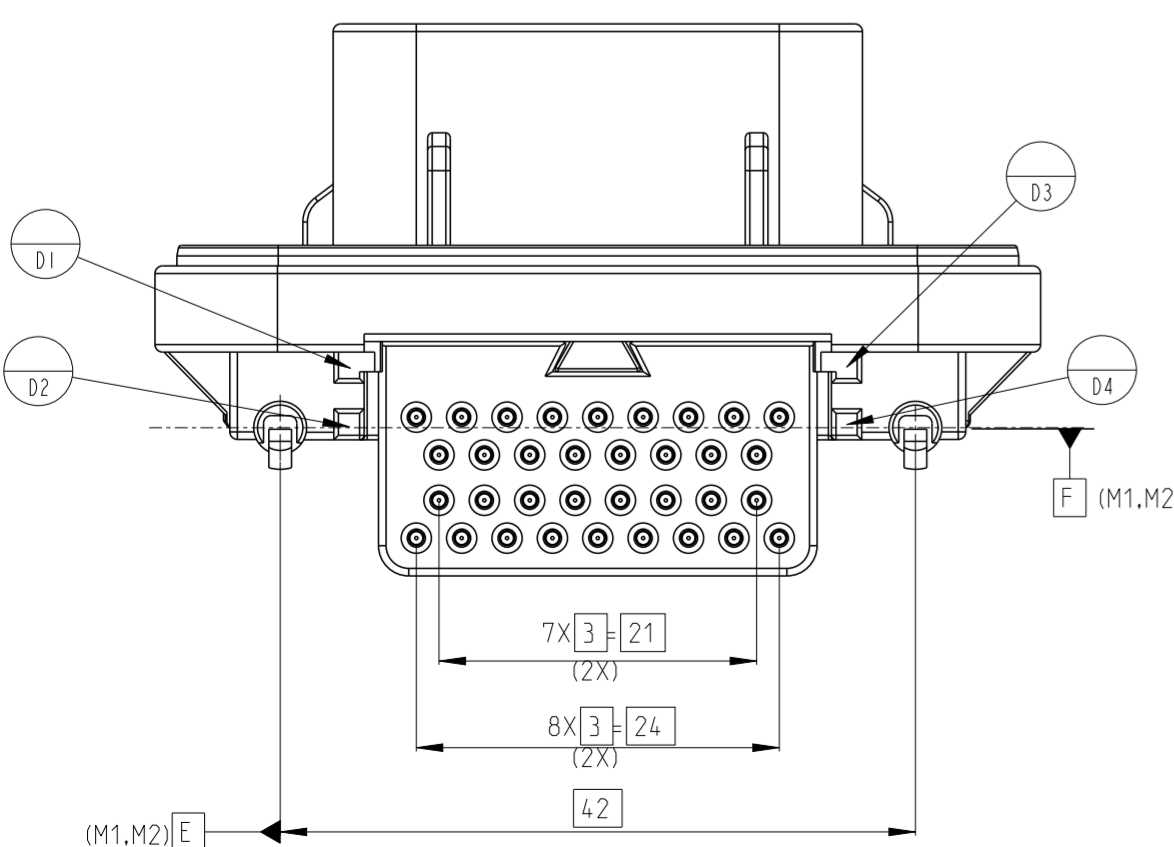
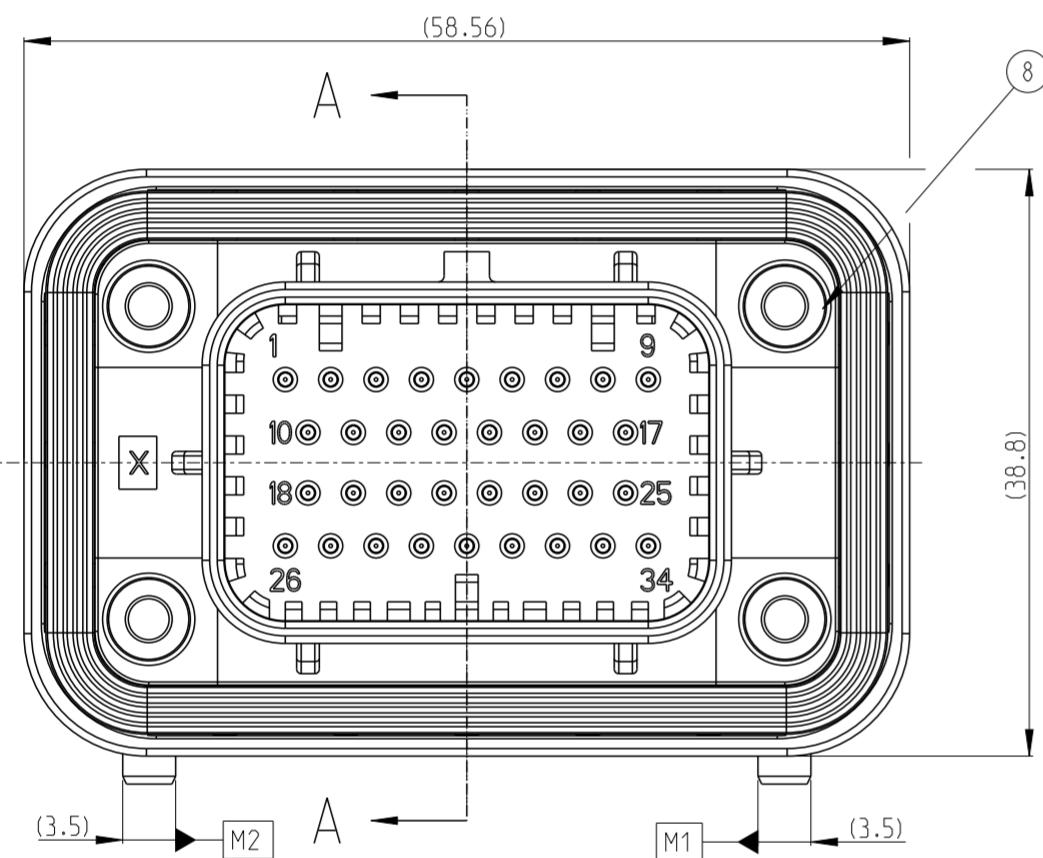
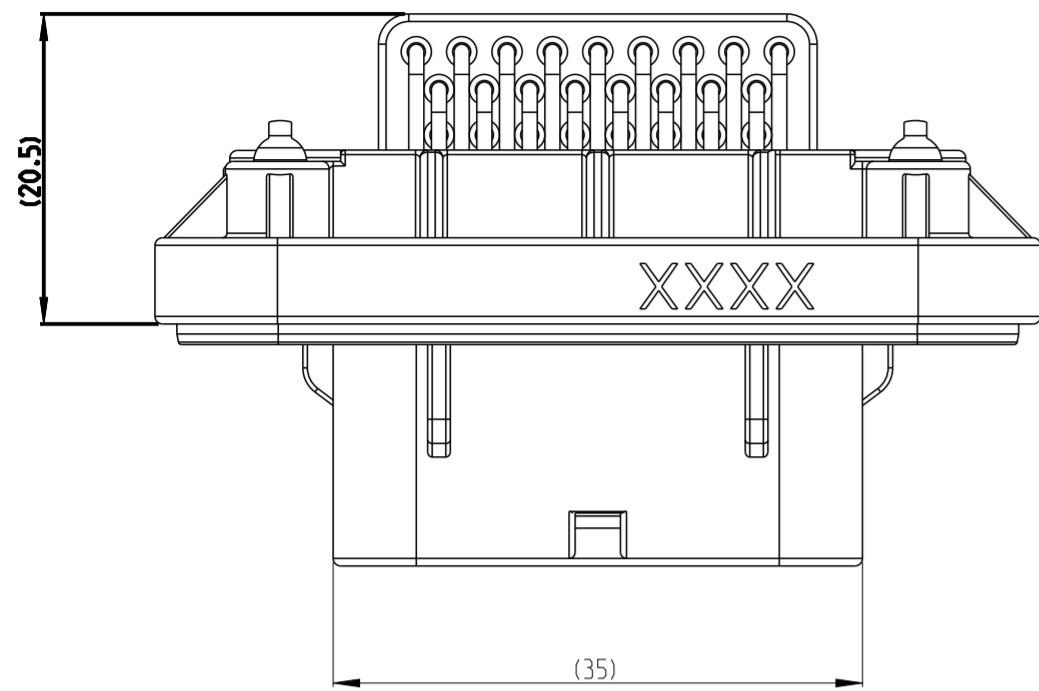
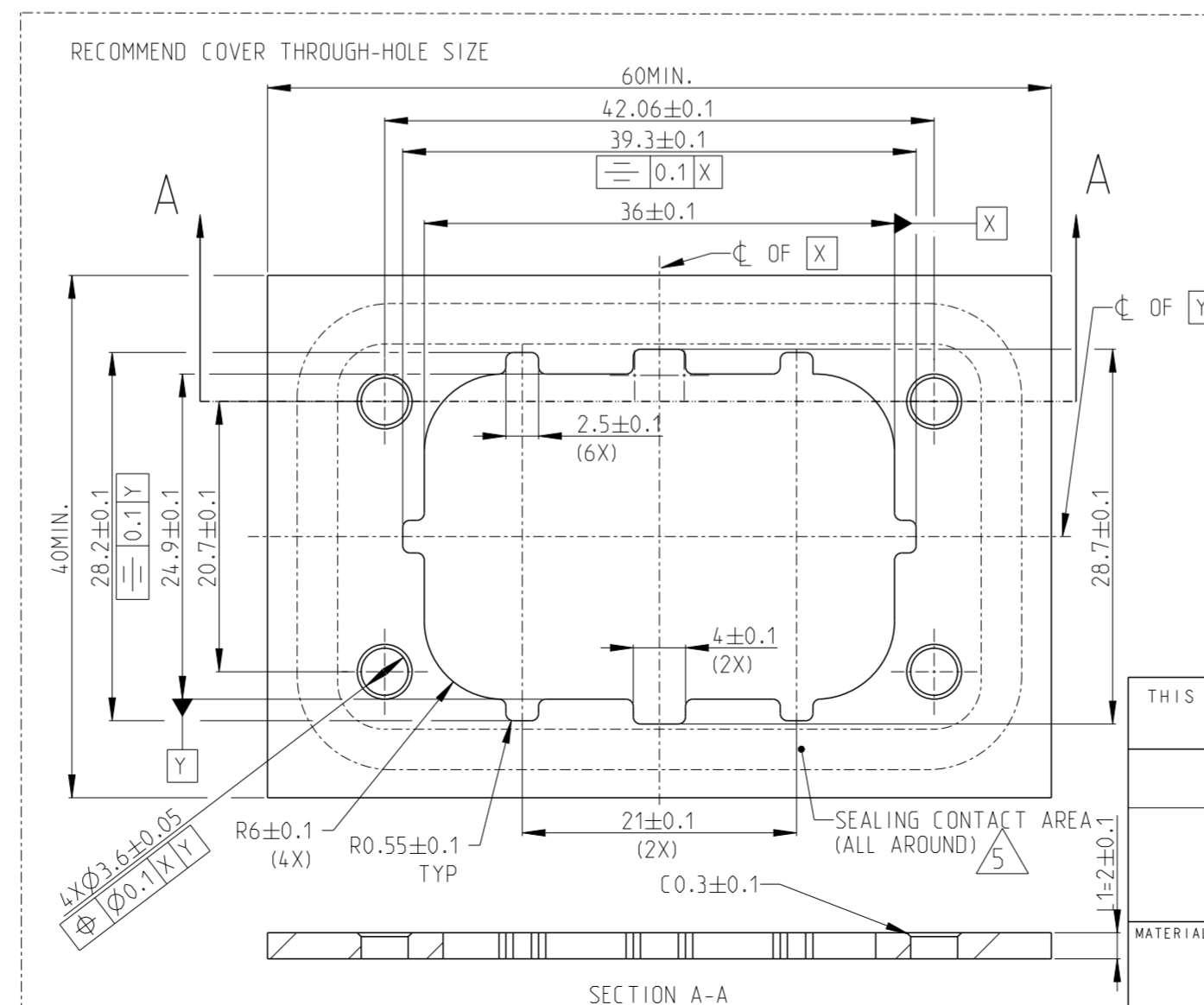
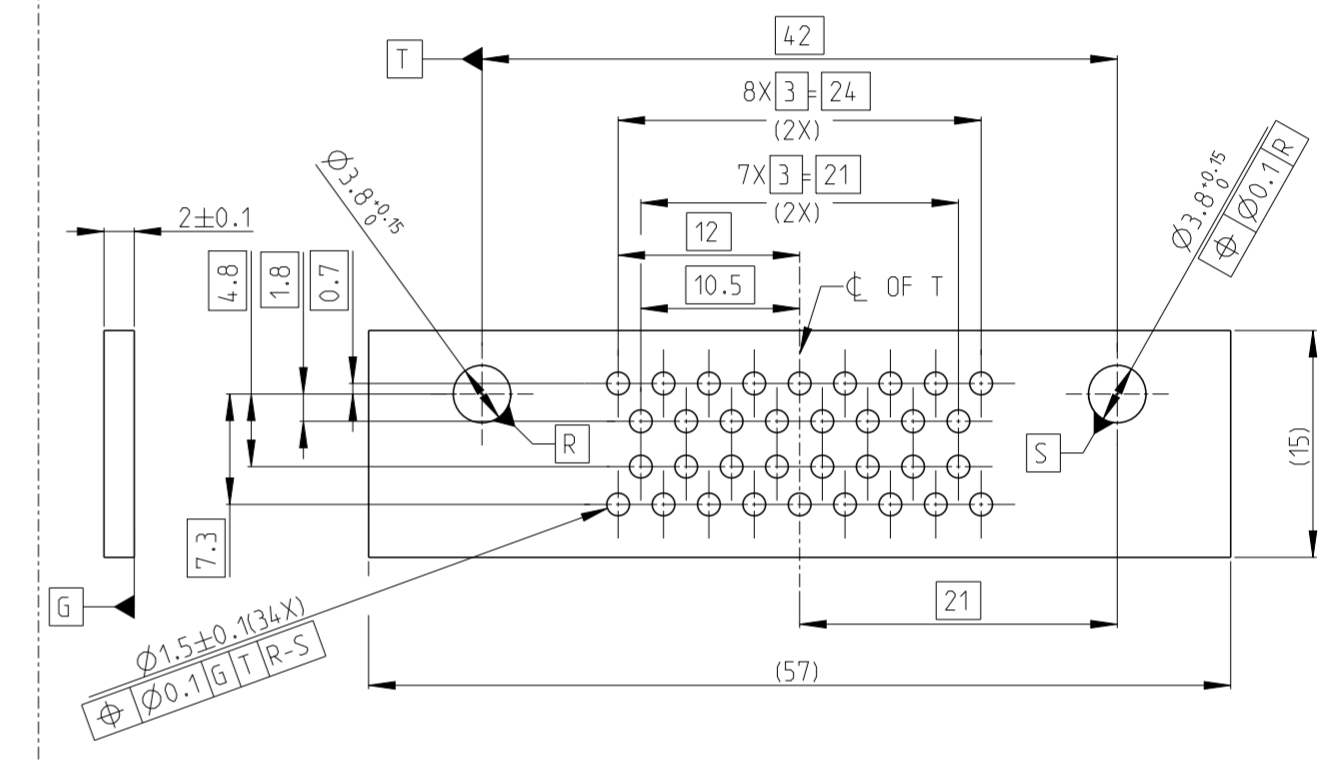


P	LTR	DESCRIPTION	DATE	DWN	APVD
A		INITIAL RELEASE	19MAR2021	J.W	E.J
A1		ECN-22-164503	14 JUL 2022	J.G	Z.Z



- 1 MATERIAL: SEE TABLE LIST
- 2. WORKING TEMPERATURE RANGE: -40°C ~ +125°C (INCLUDING SELF-HEATING)
- 3. MINIMUM INSULATION RESISTANCE BETWEEN ADJACENT TERMINALS: 100MΩ AT DC500V .
- 4. NO DEFINED DIMENSIONS ACCORDING TO 3D MODEL.
- 5 THE SEALING CONTACT AREA ON COVER POLISHED, RECOMMEND ROUGHNESS Ra<1.6
- 6. RECOMMEND MOUNTING SCREW: M3XL(L=8MM+L1), L1=TICKNESS OF COVER
- 7. PLUG TE PART NUMBER: 4-1437290-0

RECOMMEND PCB LAYOUT



CODING1 DOUBLE LOCK TE PART NUMBER: 2384723-1		CODING2 DOUBLE LOCK TE PART NUMBER: 2384723-2		CODING3 UPPER LOCK TE PART NUMBER: 2384723-3		CODING4 UPPER LOCK TE PART NUMBER: 2384723-4	
4	4	4	4	C3604	34P BUSHING (M3)	8	
1	1	1	1	PBT/PET	34P JOINTER	7	
9	9	9	9	COPPER ALLOY	34P PIN4	6	
8	8	8	8	COPPER ALLOY	34P PIN3	5	
8	8	8	8	COPPER ALLOY	34P PIN2	4	
9	9	9	9	COPPER ALLOY	34P PIN1	3	
1	1	1	1	SILICON	34P SEAL	2	
1					34P HOUSING UPPER LOCK CODING2		
	1			PBT/PET	34P HOUSING UPPER LOCK CODING1		
					34P HOUSING DOUBLE LOCK CODING2	1	
					34P HOUSING DOUBLE LOCK CODING1		
2384723-4	2384723-3	2384723-2	2384723-1	MATERIAL	DESCRIPTION	ITEM	

THIS DRAWING IS A CONTROLLED DOCUMENT.

DIMENSIONS:	TOLERANCES UNLESS OTHERWISE SPECIFIED:
mm	
0 PLC	±
1 PLC	±0.1
2 PLC	±0.01
3 PLC	±0.001
4 PLC	±0.0001
ANGLES	±
FINISH	

DWN	J.WANG	19MAR2021
CHK	R.CHEN	19MAR2021
APVD	F.JIANG	19MAR2021
PRODUCT SPEC	108-78140	
APPLICATION SPEC		
WEIGHT		
CUSTOMER DRAWING		

SUPERSEAL 34P HEADER 90 DEGREE	
SIZE	A2
CAGE CODE	00779
DRAWING NO	C-2384723
RESTRICTED TO	
SCALE	2:1
SHEET	1 OF 1
REV	A1