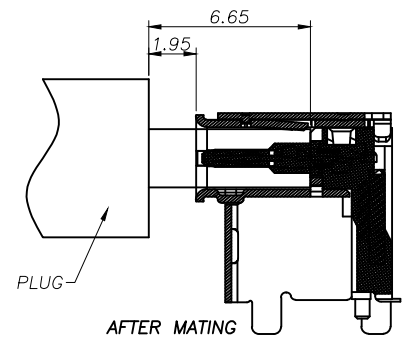
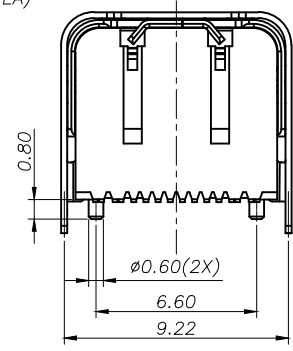
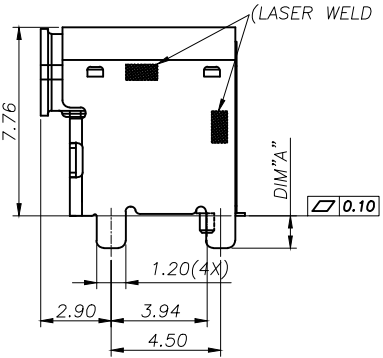
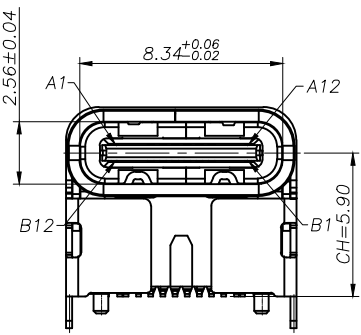
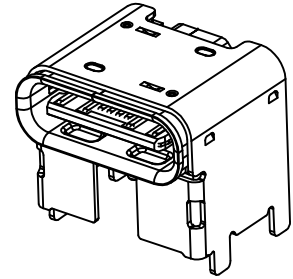
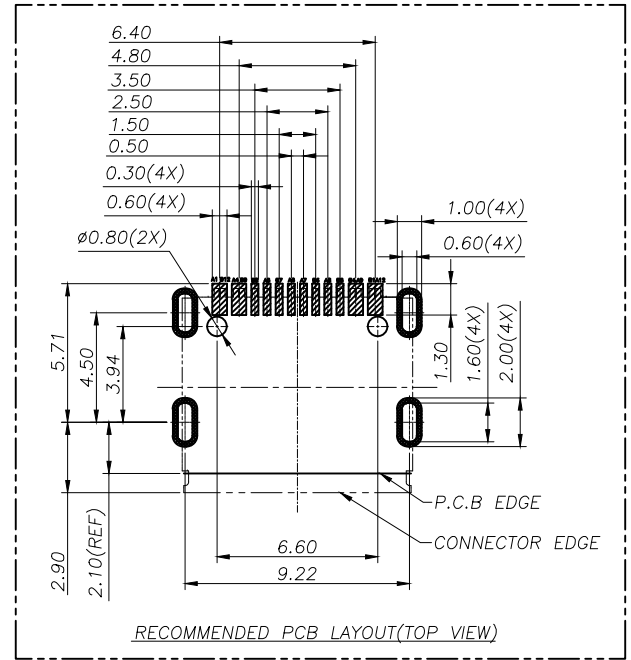


- NOTE:**
- MATERIAL SPECIFICATION:**
    - HOUSING: HIGH TEMPERATURE RESISTANT PLASTIC, UL94 V-0.
    - TERMINAL: COPPER ALLOY (C1814)
    - MID PLATE: STAINLESS STEEL (SUS301)
    - FRONT SHELL: STAINLESS STEEL (SUS304)
    - TOP SHELL: STAINLESS STEEL (SUS304)
  - PLATING SPECIFICATION:**
    - CONTACTS:
      - Ni 50u" MIN. UNDER PLATED OVER ALL.
      - Au PLATED ON THE FUNCTIONAL AREA OF CONTACT.
      - (GOLD PLATING THICKNESS FOLLOW THE P/N)
      - PLATING SPECIFICATIONS OF THE SOLDER AREA FOLLOW THE P/N
    - FRONT SHELL & TOP SHELL:
      - Ni 30u" MIN. UNDER PLATED OVER ALL.
    - MID PLATE:
      - CLEAR ONLY
  - MECHANICAL PERFORMANCE:**
    - INSERTION FORCE: 0.5~2.0kgf.
    - REMOVAL FORCE: 0.8kgf~2.0kgf.
    - DURABILITY: 10000 CYCLES.
  - ELECTRICAL PERFORMANCE:**
    - VOLTAGE RATING: 5 V DC/AC (RMS. max)  
CURRENT RATING: 5 AMPS. FOR TOTAL VBUS/GND PINS;  
1.25AMPS FOR CC PIN, 0.25 AMPS. FOR ALL OTHER CONTACT.
    - LLCR:
      - VBUS & GND PINS AND OTHER PINS: 40mΩ/PIN MAX.
      - SHIELD: 50mΩ/MAX.
      - LLCR MAX. CHANGE OF ALL PINS: 10mΩ.
    - INSULATION RESISTANCE: 100MΩ MIN
    - DIELECTRIC WITHSTAND VOLTAGE, AC 100V FOR 1 MINUTE.
  - ENVIRONMENTAL PERFORMANCE:**
    - OPERATING TEMPERATURE: -25°C~+85°C.
  - IR REFLOW:**
    - THE PEAK TEMPERATURE ON THE BOARD SHALL BE MAINTAINED FOR 10 SECONDS AT 260°C.



**USB TYPE-C PIN ASSIGNMENTS**

PIN	SIGNAL NAME	PIN	SIGNAL NAME
A1	GND	B12	GND
A4	VBUS	B9	VBUS
A5	CC1	B8	SBU2
A6	DP1	B7	DN2
A7	DN1	B6	DP2
A8	SBU1	B5	CC2
A9	VBUS	B4	VBUS
A12	GND	B1	GND

**TABLE 1**

ITEM	HOUSING COLOR	CONTACTS		SHELL PLATING	DIM "A"
		FUNCTIONAL AREA	SOLDER AREA		
1	BLACK	Au:3u"	Au:G/F	Ni	1.33
2	NATURE	Au:3u"	Au:G/F	Ni	1.33
3	BLACK	Au:3u"	Au:G/F	Ni	0.91

GENERAL TOLERANCE			制图 DRAWING		深圳市华灿天禄电子有限公司 Shenzhenhuaciantianlu ELECTRONICS CO., LTD			
	DIM	TOL	审核 CHECK		产品名称 TITLE	Type C F 16P 单排SMT L8mm CH5.9mm	版本 REV.	A
	X.X	±0.30	批准 APPROVAL		产品料号 PART NO.	HCO01-1A1H1A103-OHR	单位 UNITS	mm
1	X.XX	±0.20	比例 SCALE		材料 MATERIAL		页次 SHEET	1/2
	X.XXX	±0.10	投影 Projection					
序号 No.	变更内容 MODIFY CONTENT	日期 MODIFY DATE	Angle	±3.0°				