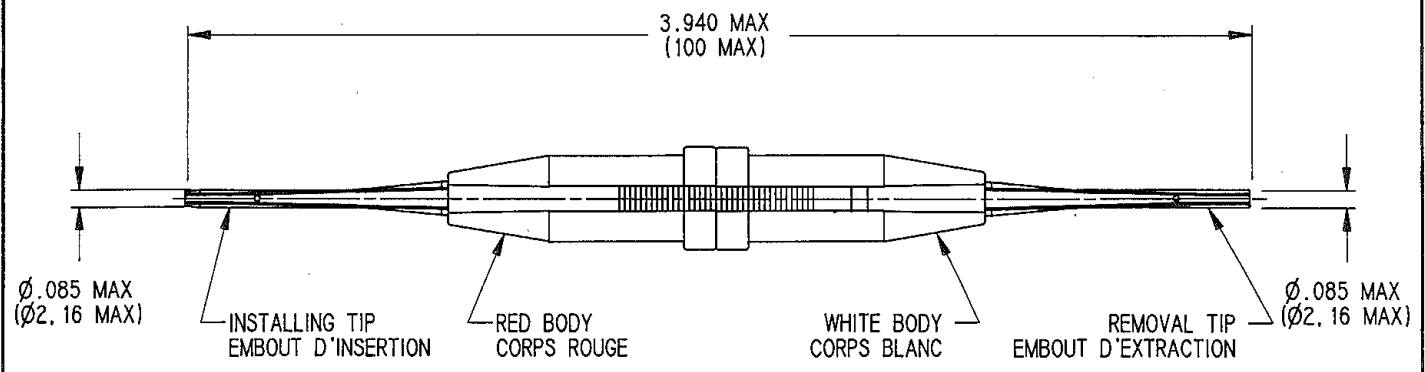


Séries  
282

SIZE 20 INSERTION/EXTRACTION TOOL  
OUTIL D'INSERTION/D'EXTRACTION TAILLE 20  
MIL SPECIF. M81969/1.02

Issue:  
9 APRIL 93

Page  
1 / 1



MATERIAL:  
BODY: THERMOPLASTIC  
TIP: CORROSION RESISTANT METAL

MATIERE:  
CORPS: THERMOPLASTIQUE  
EMBOUT: METALLIQUE

This information is given as an indication. In the continual goal to improve our products, we reserve the right to make any modifications judged necessary.

CREATION			
PEN: .			
EP: .			
Name: JP MACARI			
Date: 9 APRIL 93			
Issue	Revisions	Name	

XXXXXXX

# Mouser Electronics

Authorized Distributor

Click to View Pricing, Inventory, Delivery & Lifecycle Information:

[Radial:](#)

[282886](#)