



## ADP-2.4F-2.92M

### 2.4 mm Jack to 2.92 mm Plug Adapter

The ADP-2.4F-2.92M is a 2.4 mm jack to 2.92 mm plug adapter. Operating from 0 Hz to 40 GHz, the ADP-2.4F-2.92M combines superior performance, compact size, and a convenient threaded mating interface to provide a reliable, easy-to-use adapter. Linx 2.4 mm and 2.92 mm adapters are ideal for precision applications. Additionally, all Linx adapters meet RoHS lead free standards and are tested to meet requirements for corrosion resistance, vibration, mechanical and thermal shock.

#### FEATURES

- 0 Hz to 40 GHz operation
- Passivated stainless steel body
  - Superior corrosion resistance
- 2.4 mm jack (female socket) connection
  - Gold plated beryllium copper center contact
- 2.92 mm plug (male pin) connection
  - Gold plated beryllium copper center contact

#### APPLICATIONS

- Radar, Satellite Communications, Experimental
- Industrial, Commercial, Enterprise
- Test and measurement

#### TABLE 1. ELECTRICAL SPECIFICATIONS

Parameter	Value
Impedance	50 $\Omega$
Frequency Range	0 to 40 GHz
Contact Resistance	Center: $\leq 6.0$ m $\Omega$ Outer: $\leq 2.0$ m $\Omega$
Insertion Loss (dB max.)	1.0
VSWR (max.)	1.2

#### ORDERING INFORMATION

Part Number	Description
ADP-2.4F-2.92M	2.4 mm jack (female socket) to 2.92 mm plug (male pin) adapter

Available from Linx Technologies and select distributors and representatives.

## PRODUCT DIMENSIONS

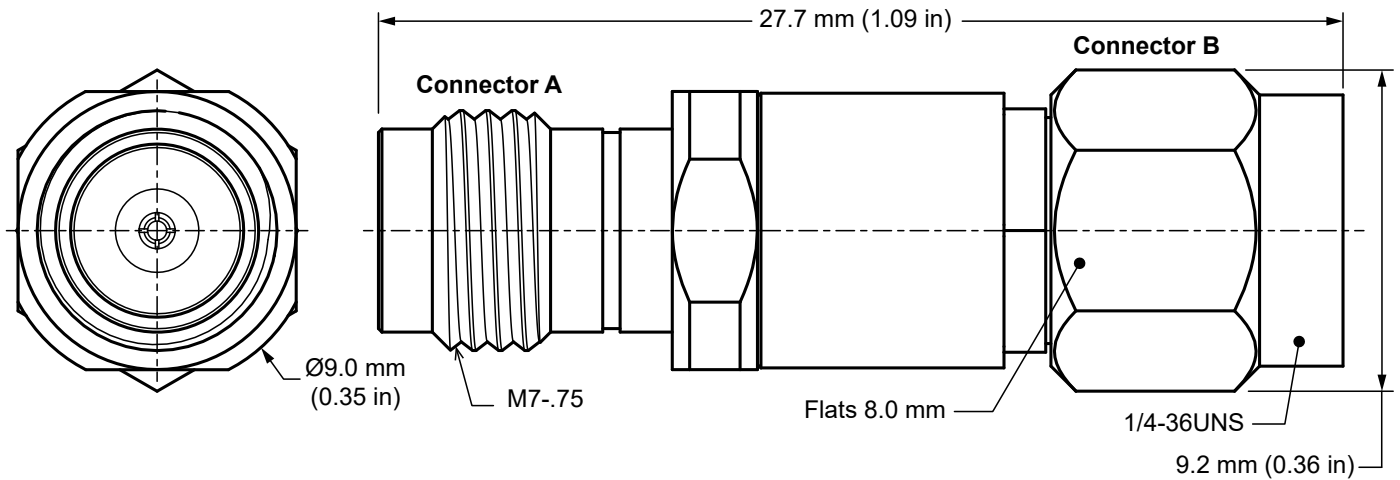


Figure 1: Product Dimensions for the ADP-2.4F-2.92M Adapter

## TABLE 2. ADAPTER COMPONENTS

ADP-2.4F-2.92M	Connector A 2.4 mm jack (female socket)		Connector B 2.92 mm plug (male pin)	
Connector Part	Material	Finish	Material	Finish
Body	Stainless Steel	Passivated*	Stainless Steel	Passivated*
Center Contact	Beryllium Copper	Gold	Beryllium Copper	Gold
Insulator	Air	-	Air	-

\*Use of stainless steel tools may damage passivated finish.

## ADAPTER PERFORMANCE

Table 3 shows insertion loss and VSWR values for the ADP-2.4F-2.92M adapter at commonly used frequencies. Insertion loss is the loss of signal power (gain) resulting from the insertion of a device in a transmission line. VSWR describes how efficiently power is transmitted through the adapter. A lower VSWR value indicates better performance at a given frequency.

## TABLE 3. INSERTION LOSS AND VSWR FOR THE ADP-2.4F-2.92M ADAPTER

Band	Ku	K	Ka
Frequency Range	12 GHz to 18 GHz	18 GHz to 27 GHz	27 GHz to 40 GHz
Insertion Loss (dB max.)	0.8	0.9	0.9
VSWR (max.)	1.1	1.2	1.2

## TABLE 4. MECHANICAL SPECIFICATIONS

ADP-2.4F-2.92M	Connector A 2.4 mm jack (female socket)	Connector B 2.92 mm plug (male pin)
Mounting Type	Inline, Free-hanging	
Fastening Type	M7 Threaded Coupling	1/4-36UNS Threaded Coupling
Interface in Accordance with	IEC-61169-40	IEC-61169-40
Durability	500 cycles min.	500 cycles min.
Recommended Torque	8.0 in.-lbs	8.0 in.-lbs
Weight	7.1 g (0.25 oz)	

## TABLE 5. ENVIRONMENTAL SPECIFICATIONS

MIL-STD, Method, Test Condition	
Corrosion (Salt spray)	MIL-STD-202 Method 101 test condition B
Thermal Shock	MIL-STD-202 Method 107 test condition C
Vibration	MIL-STD-202 Method 204 test condition B
Mechanical Shock	MIL-STD-202 Method 213 test condition B
Moisture Resistance	MIL-STD-202 Method 106 test condition D
Temperature Range	-40 °C to +105 °C
Environmental Compliance	RoHS

## PACKAGING INFORMATION

The ADP-2.4F-2.92M adapter is placed in an ESD safe plastic bag and sealed in Polyethylene bags of 25 pcs. Four bags (100 pcs.) are packaged in a box. Distribution channels may offer alternative packaging options. The 2.4mm connector end is protected by a blue LDPE plastic cap and the 2.92mm connector end is protected by a clear LDPE plastic cap.

### TE TECHNICAL SUPPORT CENTER

USA:	+1 (800) 522-6752
Canada:	+1 (905) 475-6222
Mexico:	+52 (0) 55-1106-0800
Latin/S. America:	+54 (0) 11-4733-2200
Germany:	+49 (0) 6251-133-1999
UK:	+44 (0) 800-267666
France:	+33 (0) 1-3420-8686
Netherlands:	+31 (0) 73-6246-999
China:	+86 (0) 400-820-6015

### te.com

TE Connectivity, TE, TE connectivity (logo), Linx and Linx Technologies are trademarks owned or licensed by the TE Connectivity Ltd. family of companies. All other logos, products and/or company names referred to herein might be trademarks of their respective owners.

The information given herein, including drawings, illustrations and schematics which are intended for illustration purposes only, is believed to be reliable. However, TE Connectivity makes no warranties as to its accuracy or completeness and disclaims any liability in connection with its use. TE Connectivity's obligations shall only be as set forth in TE Connectivity's Standard Terms and Conditions of Sale for this product and in no case will TE Connectivity be liable for any incidental, indirect or consequential damages arising out of the sale, resale, use or misuse of the product. Users of TE Connectivity products should make their own evaluation to determine the suitability of each such product for the specific application.

TE Connectivity warrants to the original end user customer of its products that its products are free from defects in material and workmanship. Subject to conditions and limitations TE Connectivity will, at its option, either repair or replace any part of its products that prove defective because of improper workmanship or materials. This limited warranty is in force for the useful lifetime of the original end product into which the TE Connectivity product is installed. Useful lifetime of the original end product may vary but is not warranted to exceed one (1) year from the original date of the end product purchase.

©2023 TE Connectivity. All Rights Reserved.

1/23 Original