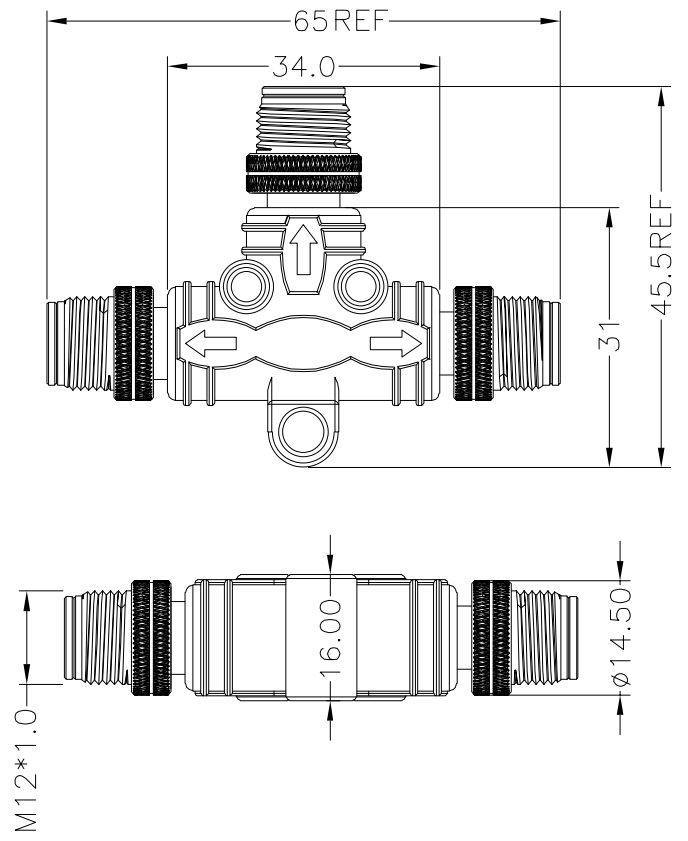


DESCRIPTION: M12 // T-SPLITTER // (3X) MALE // WIRED THROUGH 1 TO 1



NOTE:

MATERIAL	
M12 INSULATOR	PA66, UL94V-0, BLACK
SPLITTER HOUSING	PVC, UL94V-0, BLACK
CONTACT	GOLD FLASH PLATED BRASS
NUT	NICKEL PLATED BRASS
ELECTRICAL	
RATED CURRENT	2A(8P) / 4A(4/5P)
VOLTAGE	30V(8P) / 60V(5P) / 250V(4P)
INSULATOR RESISTANCE	100 MOhms MIN.
CONTACT RESISTANCE	10 mOhms MAX.
MATING CYCLES	100 CYCLES MIN
ENVIRONMENT	
OPERATION TEMPERATURE	-40°C TO +85°C
IP RATING	IP67 (UNCOUPLED & COUPLED)
RECOMMENDED TORQUE	0.4Nm TO 0.8Nm

MALE

A04	A05	A08	D04	B05

SERIES T58 - YYY - MMMR001

T58 = M12 T-SPLIT ADAPTER

CONTACT ARRANGEMENT

A04 = (3X) 4P A-CODE
A05 = (3X) 5P A-CODE
A08 = (3X) 8P A-CODE
D04 = (3X) 4P D-CODE
B05 = (3X) 5P B-CODE

GENDER

MMM = MALE / MALE / MALE

CONTACT PLATING

1 = GOLD FLASH

RoHS COMPLIANT

UNITS = mm

DO NOT SCALE FROM DRAWING



THESE DRAWINGS AND SPECIFICATIONS ARE THE PROPERTY OF NorComp AND SHALL NOT BE REPRODUCED, COPIED OR USED AS THE BASIS FOR THE MANUFACTURE OR SALE OF APPARATUS WITHOUT WRITTEN PERMISSION.

DRAWN: J. KADEL
DATE: 12/20/2021

TOLERANCES
.x ±0.5
.xx ±0.2
ANGULAR ±1°



SCALE: NTS	SHEET 1 OF 1	REV 2
DWG NO. T58-YYY-MMMR001		