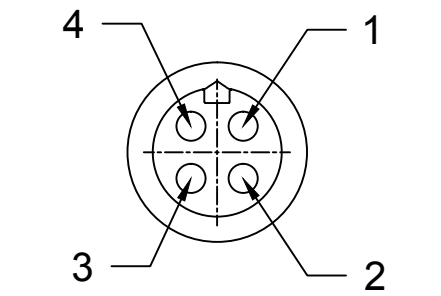
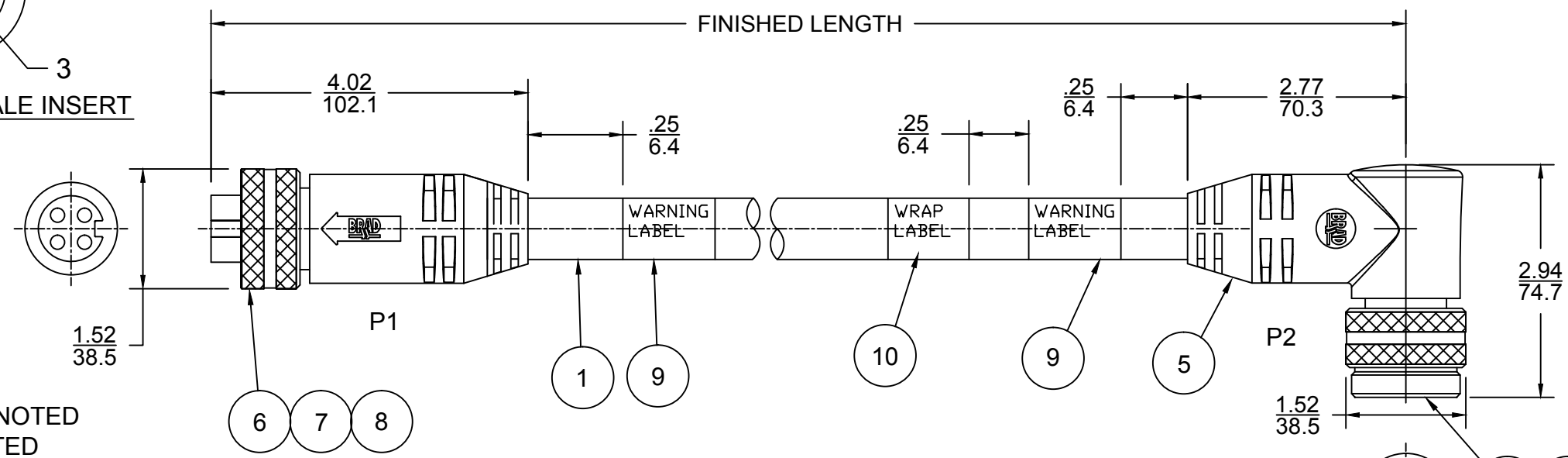
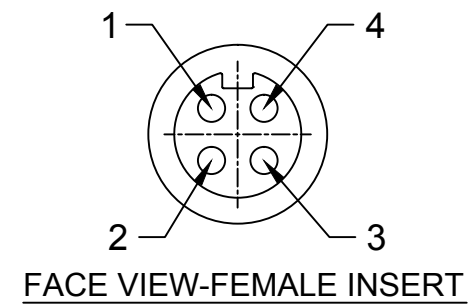


SAP P/N #	ENGINEERING P/N	FINISHED LENGTH
1300640468	CC4032K24M100	10.0M (32.8')
1300640469	CC4032K24M150	15.0M (49.2')
1300642052	CC4032K24M030	3.0M (9.8')

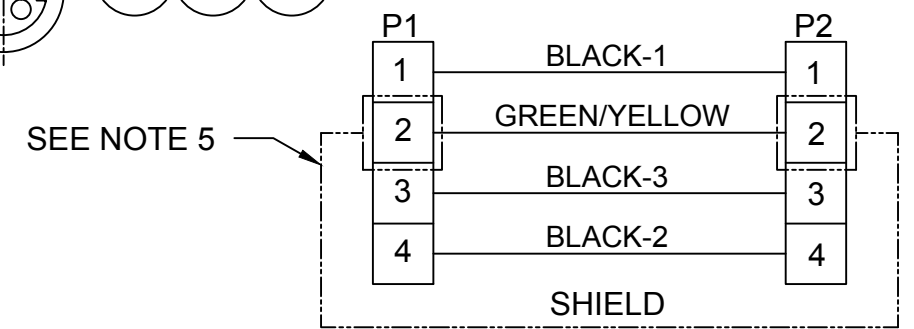
PART NUMBER MATRIX
CC4032K24M010

LENGTH
M005 = .5 METER
M010 = 1 METER
M100 = 10 METER

CABLE LENGTH TOLERANCES
>.3M [1FT]: +19mm-0 [+0.75in-0]
.3 - .9M [1 - 3FT]: +44.5mm-0 [+1.75in-0]
.9 - 1.8M [3 - 6FT]: +55.6mm-0 [+2.19in-0]
1.8 - 3.7M [6 - 12FT]: +88.9mm-0 [+3.50in-0]
3.7 - 7.3M [12 - 24FT]: +165.1mm-0 [+6.50in-0]
7.3-14.6M [24 - 48FT]: +317.5mm-0 [+12.50in-0]
14.6 - 30.5M [48-100FT]: +622.3mm-0 [+24.50in-0]
OVER 30M [100FT] +2% OF FINISHED LENGTH



- NOTES:**
1. MATERIAL: AS NOTED
 2. FINISH: AS NOTED
 3. ELECTRICAL:
VOLTAGE: 500V PER IEC60664
600V PER UL2238
CURRENT: 32A
 4. TEMP RATING: -25° TO +90°C
 5. PROTECTION: IP67 (WHEN MATED)
 6. COUPLING THREAD: 7/8-16UN
 7. UL2237 STATUS: PENDING
 7. ALL DIMS ARE FOR REFERENCE UNLESS NOTED OTHERWISE



ITEM	QTY	DESCRIPTION	MATERIAL	FINISH
10	1	WRAP LABEL	VINYL	YELLOW
9	2	WARNING LABEL	VINYL	BLACK/ORANGE/YELLOW
8	1	FEMALE COUPLING NUT	ALUMINUM ALLOY	CLEAR ANODIZED
7	4	SOCKET CONTACT	COPPER ALLOY	GOLD PLATED
6	1	4P FEMALE INSERT	PVC	BLACK
5	A/R	OVERMOLD COMPOUND	PVC	GRAY
4	1	MALE COUPLING NUT	ALUMINUM ALLOY	CLEAR ANODIZED
3	1	4P MALE INSERT	PVC	BLACK
2	4	90D PIN CONTACT	COPPER ALLOY	GOLD PLATED
1	-	#10-4 AWG VFD FLEX-RATED CABLE	TPE JACKET	BLACK

CHANGE TO SD EC NO: IPG2018-0452 DRWN: MZIELINS 2018/04/04 CHKD: RSTONE 2018/04/05 APPR: BWOODMAN2016/01/07	DESCRIPTION REV	QUALITY SYMBOLS 	GENERAL TOLERANCES (UNLESS SPECIFIED) <table border="1"> <thead> <tr> <th></th> <th>mm</th> <th>INCH</th> </tr> </thead> <tbody> <tr> <td>4 PLACES</td> <td>±---</td> <td>±---</td> </tr> <tr> <td>3 PLACES</td> <td>±---</td> <td>±.005</td> </tr> <tr> <td>2 PLACES</td> <td>±0.13</td> <td>±.010</td> </tr> <tr> <td>1 PLACE</td> <td>±0.25</td> <td>±.020</td> </tr> </tbody> </table>		mm	INCH	4 PLACES	±---	±---	3 PLACES	±---	±.005	2 PLACES	±0.13	±.010	1 PLACE	±0.25	±.020	DIMENSION STYLE IN/MM	SCALE NTS	DESIGN UNITS INCH	THIRD ANGLE PROJECTION
			mm	INCH																		
		4 PLACES	±---	±---																		
		3 PLACES	±---	±.005																		
2 PLACES	±0.13	±.010																				
1 PLACE	±0.25	±.020																				
DRAFT WHERE APPLICABLE MUST REMAIN WITHIN DIMENSIONS			DRAWN BY: MZIELINS DATE: 2015/12/09	CHECKED BY: BARDEN DATE: 2015/01/06	TITLE QC M/FE 90D/STR 4P #10-4 AWG VFD FLX-RATED TPE BLK CABLE																	
SEE CHART			APPROVED BY: BWOODMAN DATE: 2016/01/07	MOLEX INCORPORATED			SHEET NO. 1 OF 1															
THIS DRAWING CONTAINS INFORMATION THAT IS PROPRIETARY TO MOLEX INCORPORATED AND SHOULD NOT BE USED WITHOUT WRITTEN PERMISSION			MATERIAL NO.				DOCUMENT NO. SD-130064-023															