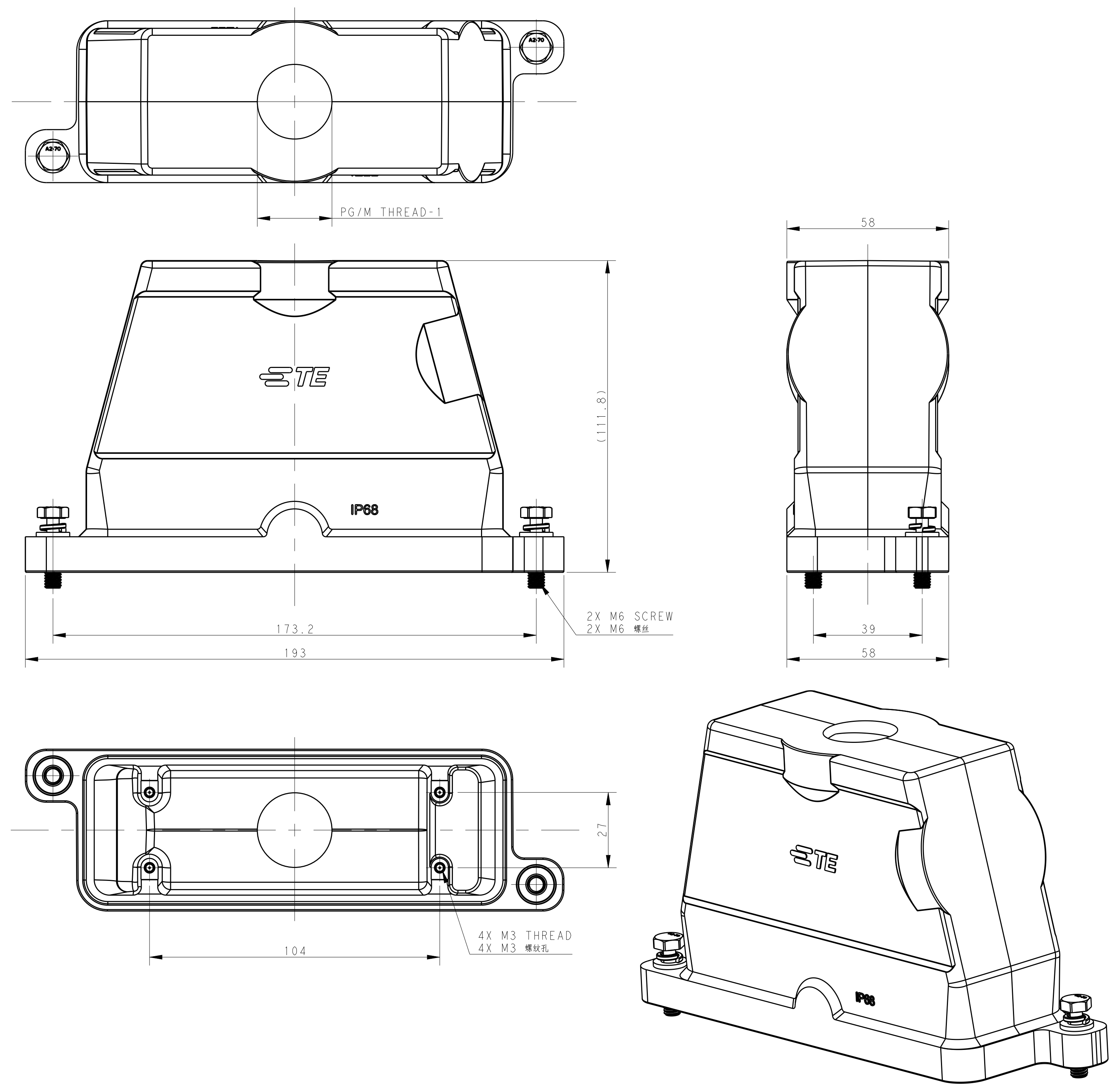


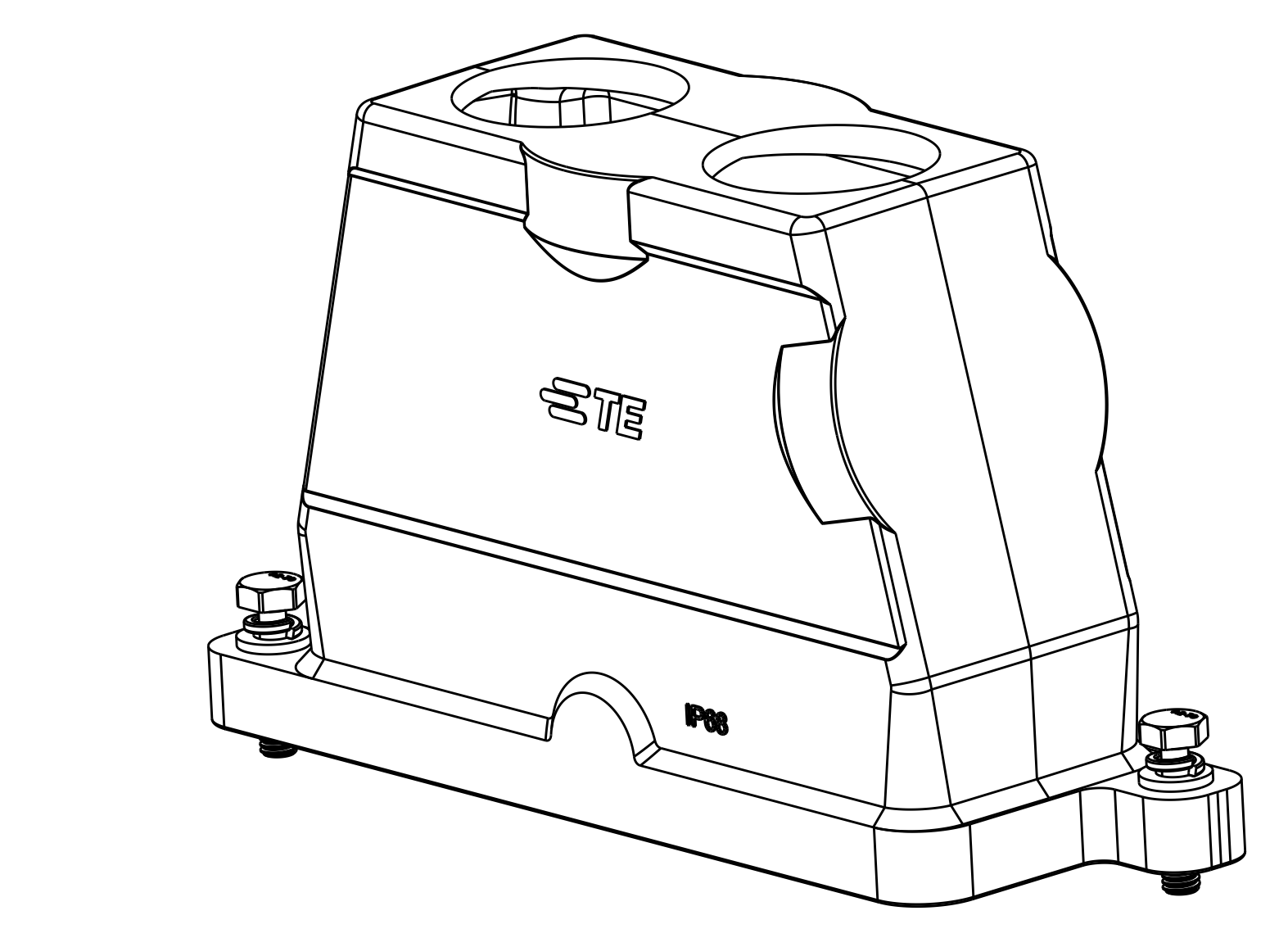
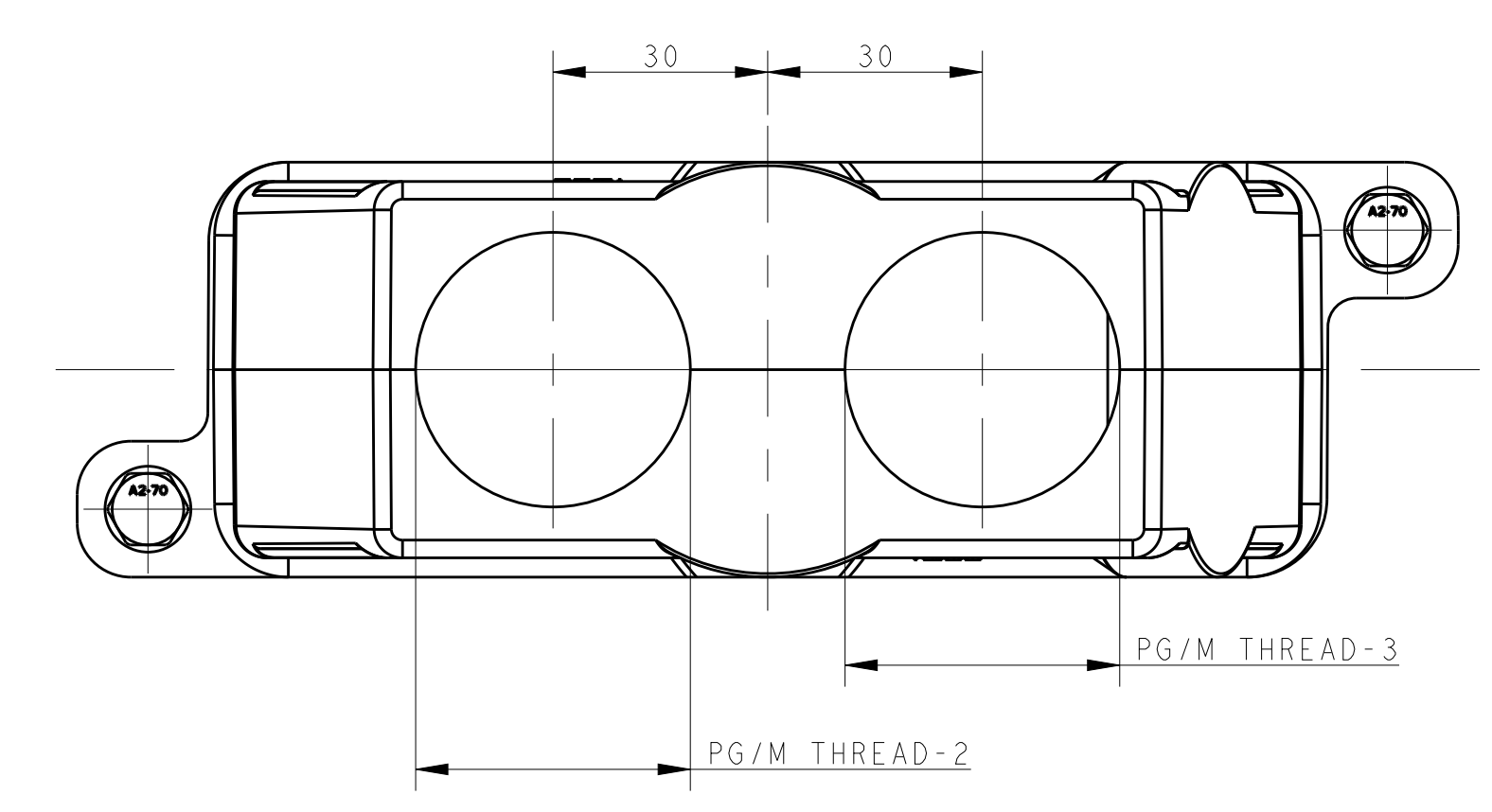
Single PG/M thread

### TYPE 1



Two PG/M threads

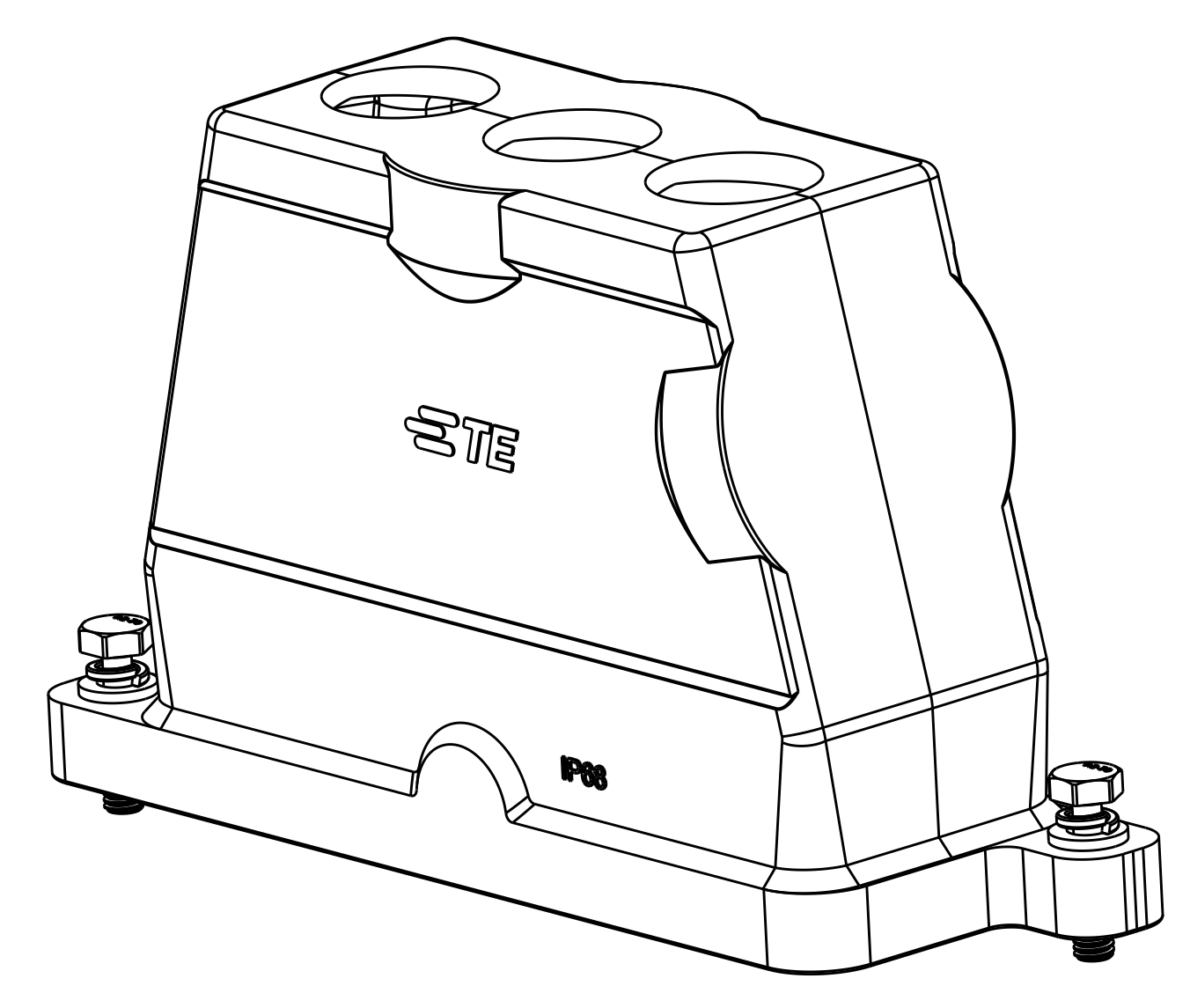
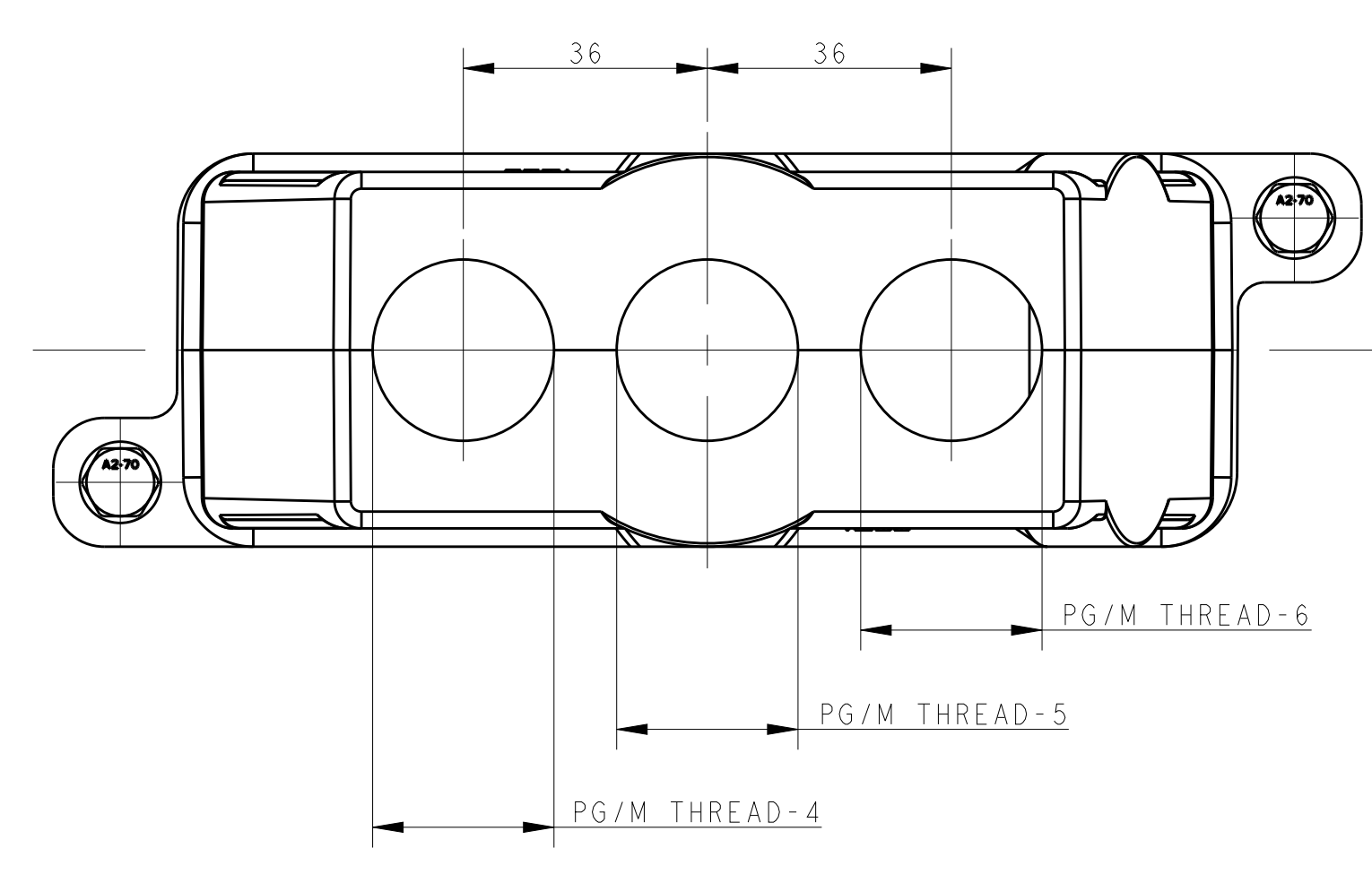
### TYPE 2



All dimension is same as TYPE 1, except those defined in this TYPE

Three PG/M threads

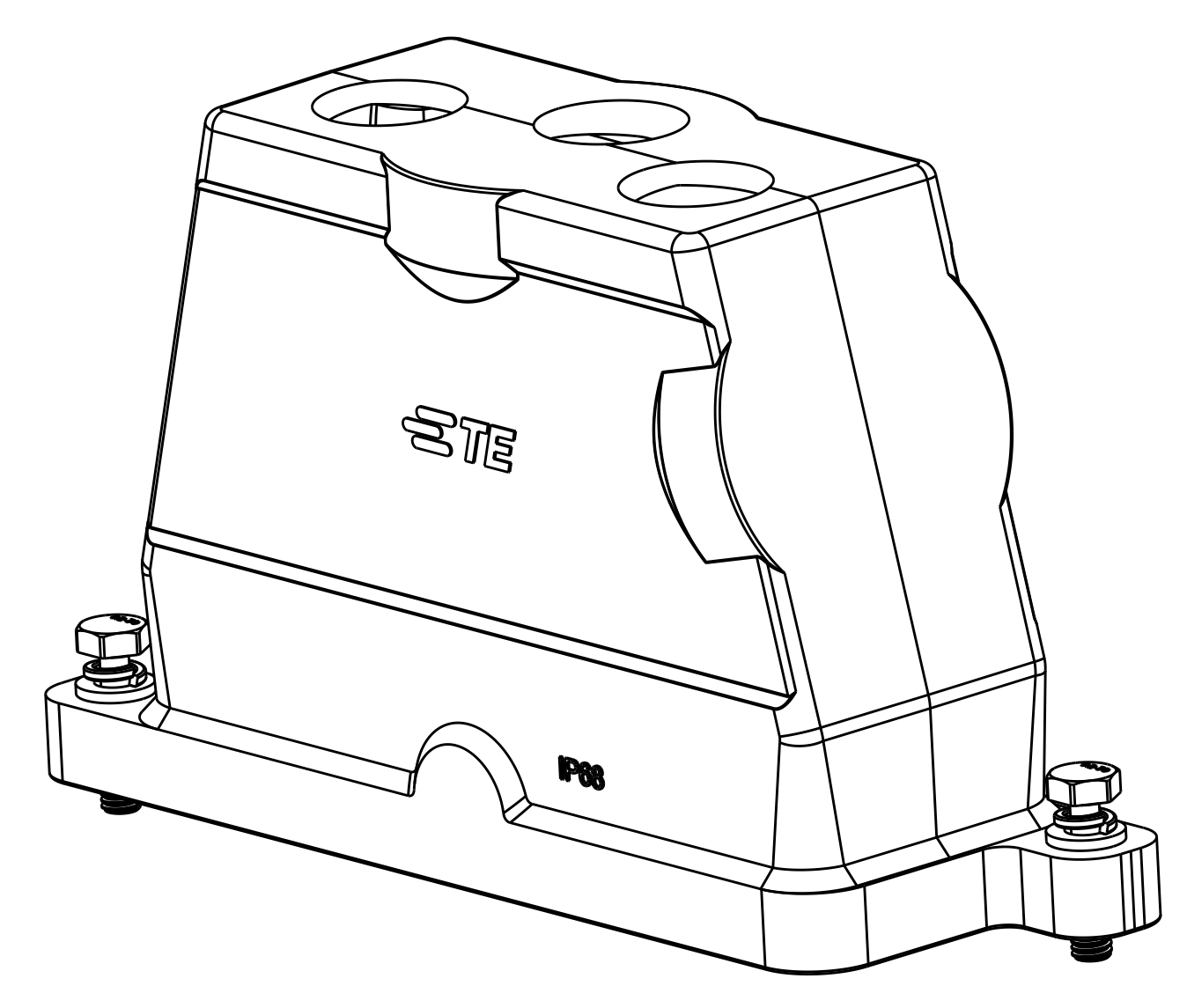
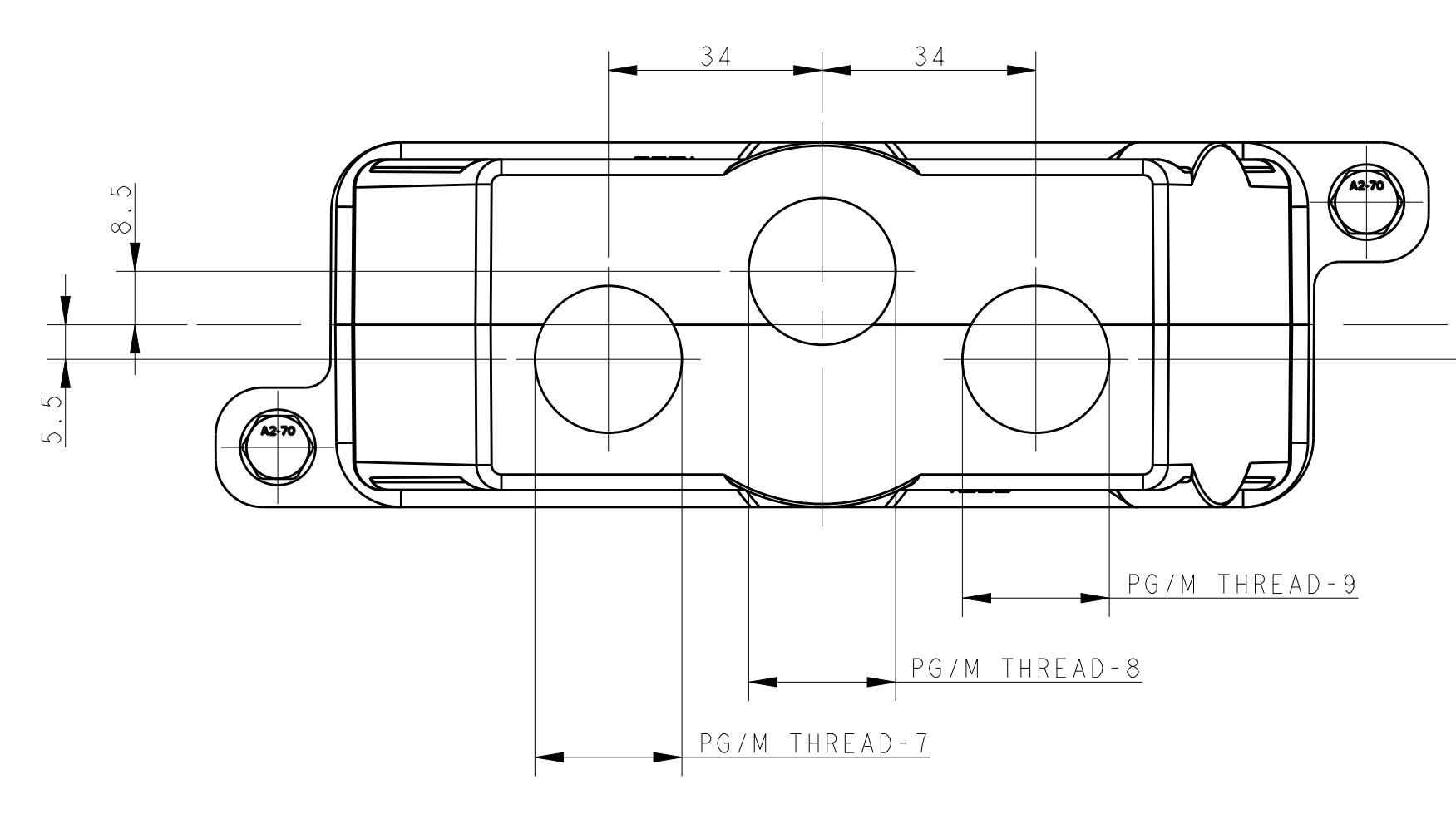
### TYPE 3



All dimension is same as TYPE 1, except those defined in this TYPE

Three PG/M threads

### TYPE 4



All dimension is same as TYPE 1, except those defined in this TYPE

REVISIONS			
P	REV	DESCRIPTION	DATE
A	INITIAL RELEASE		20160216
A1	ECR-16-013370		18022016

NOTES:  
 1. TECHNICAL CHARACTERISTICS:  
 HOOD MATERIAL: DIE CAST ALUMINIUM ALLOY  
 SURFACE: SEE TABLE  
 DEGREE OF PROTECTION: IP68 (MATED)

注释:  
 1. 技术特性:  
 壳体材料: 铝合金  
 表面处理: 见表格  
 防护等级: IP68 (配合)

PART NUMBER	料号	DESCRIPTION	PG/M THREAD-9	PG/M THREAD-8	PG/M THREAD-7	PG/M THREAD-6	PG/M THREAD-5	PG/M THREAD-4	PG/M THREAD-3	PG/M THREAD-2	PG/M THREAD-1	TYPE
T1920240325-009	H24BPR-TGH-3M25-EMC-C	H24BPR HOOD, DIAGONAL LOCKING, TOP ENTRY 3M25, POWDER COATED,BLACK H24BPR对角锁定顶入上壳3M25 黑色	M25	M25	M25	-	-	-	-	-	-	TYPE 4 类别4
T1920240321-009	H24BPR-TGH-3PG21-EMC-C	H24BPR HOOD, DIAGONAL LOCKING, TOP ENTRY 3PG21, POWDER COATED,BLACK H24BPR对角锁定顶入上壳3PG21 黑色	-	-	-	PG21	PG21	PG21	-	-	-	TYPE 3 类别3
T1920241232-009	H24BPR-TGH-2M32-EMC-C	H24BPR HOOD, DIAGONAL LOCKING, TOP ENTRY 2M32, POWDER COATED,SILVER WHITE H24BPR对角锁定顶入上壳2M32 银白色	-	-	-	-	-	-	M32	M32	-	TYPE 2 类别2
T1920240229-009	H24BPR-TGH-2PG29-EMC-C	H24BPR HOOD, DIAGONAL LOCKING, TOP ENTRY 2PG29, POWDER COATED,BLACK H24BPR对角锁定顶入上壳2PG29 黑色	-	-	-	-	-	-	PG29	PG29	-	TYPE 2 类别2
T1920240240-009	H24BPR-TGH-2M40-EMC-C	H24BPR HOOD, DIAGONAL LOCKING, TOP ENTRY 2M40, POWDER COATED,BLACK H24BPR对角锁定顶入上壳2M40 黑色	-	-	-	-	-	-	M40	M40	-	TYPE 2 类别2
T1920241140-009	H24BPR-TGH-M40-EMC-C	H24BPR HOOD, DIAGONAL LOCKING, TOP ENTRY M40, POWDER COATED,SILVER WHITE H24BPR对角锁定顶入上壳M40 银白色	-	-	-	-	-	-	-	-	M40	TYPE 1 类别1
T1920241136-009	H24BPR-TGH-PG36-EMC-C	H24BPR HOOD, DIAGONAL LOCKING, TOP ENTRY PG36, POWDER COATED,SILVER WHITE H24BPR对角锁定顶入上壳PG36 银白色	-	-	-	-	-	-	-	-	PG36	TYPE 1 类别1
T1920241132-009	H24BPR-TGH-M32-EMC-C	H24BPR HOOD, DIAGONAL LOCKING, TOP ENTRY M32, POWDER COATED,SILVER WHITE H24BPR对角锁定顶入上壳M32 银白色	-	-	-	-	-	-	-	-	M32	TYPE 1 类别1
T1920241129-009	H24BPR-TGH-PG29-EMC-C	H24BPR HOOD, DIAGONAL LOCKING, TOP ENTRY PG29, POWDER COATED,SILVER WHITE H24BPR对角锁定顶入上壳PG29 银白色	-	-	-	-	-	-	-	-	PG29	TYPE 1 类别1
T1920241125-009	H24BPR-TGH-M25-EMC-C	H24BPR HOOD, DIAGONAL LOCKING, TOP ENTRY M25, POWDER COATED,SILVER WHITE H24BPR对角锁定顶入上壳M25 银白色	-	-	-	-	-	-	-	-	M25	TYPE 1 类别1
T1920241121-009	H24BPR-TGH-PG21-EMC-C	H24BPR HOOD, DIAGONAL LOCKING, TOP ENTRY PG21, POWDER COATED,SILVER WHITE H24BPR对角锁定顶入上壳PG21 银白色	-	-	-	-	-	-	-	-	PG21	TYPE 1 类别1
T1920240140-009	H24BPR-TGH-M40-EMC-C	H24BPR HOOD, DIAGONAL LOCKING, TOP ENTRY M40, POWDER COATED,BLACK H24BPR对角锁定顶入上壳M40 黑色	-	-	-	-	-	-	-	-	M40	TYPE 1 类别1
T1920240136-009	H24BPR-TGH-PG36-EMC-C	H24BPR HOOD, DIAGONAL LOCKING, TOP ENTRY PG36, POWDER COATED,BLACK H24BPR对角锁定顶入上壳PG36 黑色	-	-	-	-	-	-	-	-	PG36	TYPE 1 类别1
T1920240132-009	H24BPR-TGH-M32-EMC-C	H24BPR HOOD, DIAGONAL LOCKING, TOP ENTRY M32, POWDER COATED,BLACK H24BPR对角锁定顶入上壳M32 黑色	-	-	-	-	-	-	-	-	M32	TYPE 1 类别1
T1920240129-009	H24BPR-TGH-PG29-EMC-C	H24BPR HOOD, DIAGONAL LOCKING, TOP ENTRY PG29, POWDER COATED,BLACK H24BPR对角锁定顶入上壳PG29 黑色	-	-	-	-	-	-	-	-	PG29	TYPE 1 类别1
T1920240125-009	H24BPR-TGH-M25-EMC-C	H24BPR HOOD, DIAGONAL LOCKING, TOP ENTRY M25, POWDER COATED,BLACK H24BPR对角锁定顶入上壳M25 黑色	-	-	-	-	-	-	-	-	M25	TYPE 1 类别1
T1920240121-009	H24BPR-TGH-PG21-EMC-C	H24BPR HOOD, DIAGONAL LOCKING, TOP ENTRY PG21, POWDER COATED,BLACK H24BPR对角锁定顶入上壳PG21 黑色	-	-	-	-	-	-	-	-	PG21	TYPE 1 类别1

THIS DRAWING IS A CONTROLLED DOCUMENT.

DATE:	21 AUG 2016	BY:	DAVID WANG
DESIGNED BY:	CHRIS WANG	APPROVED BY:	YI LANG XU
OPERATIVE SERVICES:		PRODUCT SPEC:	108-137191
		APPLICATION SPEC:	114-137191
		WEIGHT:	
		ANGLE:	
		FINISH:	

STE TE Connectivity

H24BPR-TGH-PG/M-EMC-C

SCALE: 1:1 SHEET 1 OF 1 REV A.1

# Mouser Electronics

Authorized Distributor

Click to View Pricing, Inventory, Delivery & Lifecycle Information:

## TE Connectivity:

[T1920240136-009](#) [T1920240140-009](#) [T1920240240-009](#) [T1920240321-009](#) [T1920240121-009](#) [T1920240129-009](#)  
[T1920241136-009](#) [T1920241140-009](#) [T1920240229-009](#) [T1920240132-009](#) [T1920240325-009](#) [T1920241121-009](#)  
[T1920241125-009](#) [T1920241129-009](#) [T1920241132-009](#)