

THIS DRAWING IS UNPUBLISHED.

RELEASED FOR PUBLICATION

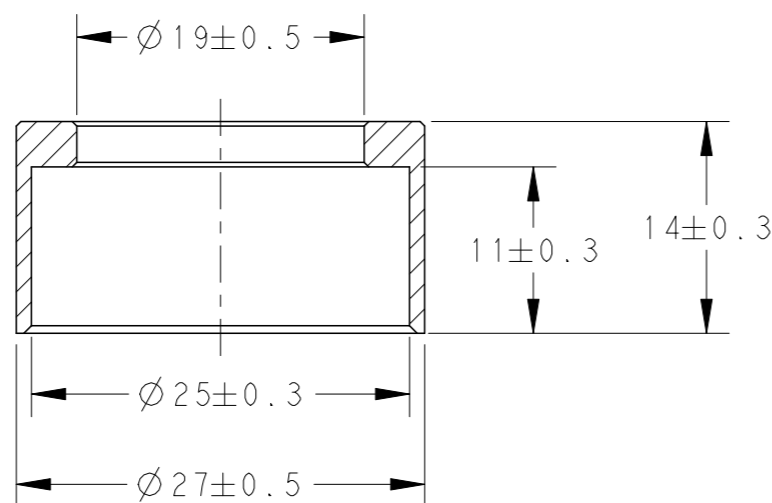
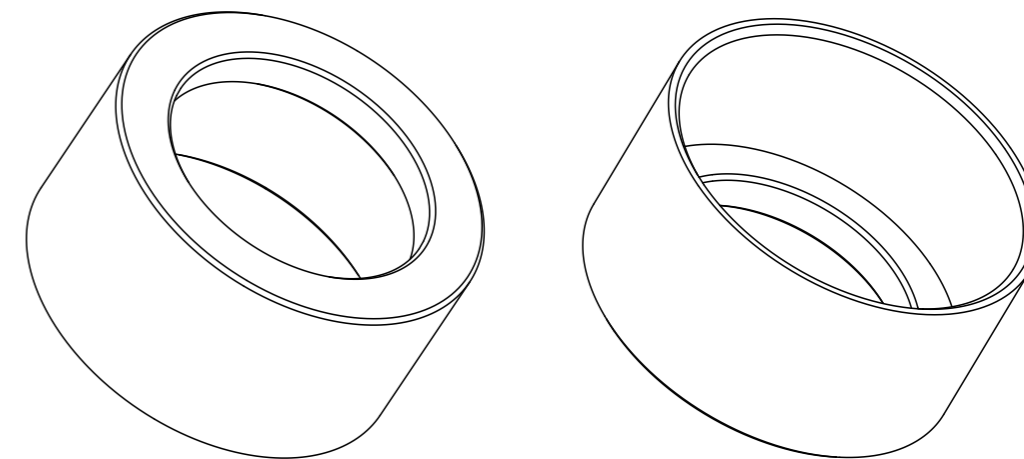
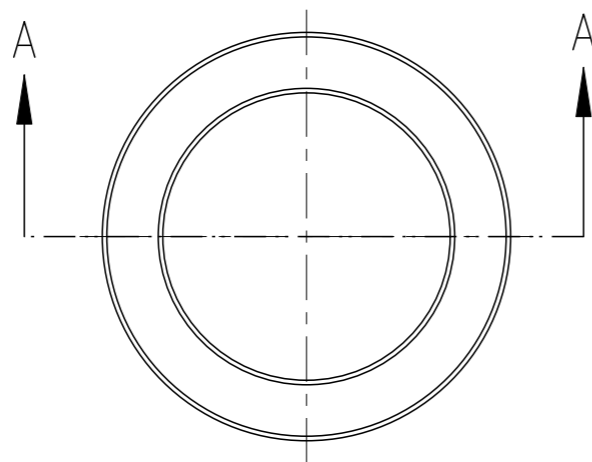
20

© COPYRIGHT 20 BY -

ALL RIGHTS RESERVED.

REVISIONS

P	LTR	DESCRIPTION	DATE	DWN	APVD
	A	RELEASED	29APR16	RZ	IY




A - A

NOTES:

- 1. MATERIAL: ALUMINIUM ALLOY
- 2. PACKAGING: BULK PACKAGING IN PLASTIC BAG AND SHIPPING BOX

- 1 AS SHOWN

2294655-1	SHIELDING FERRULE
TE P/N	DESCRIPTION

THIS DRAWING IS A CONTROLLED DOCUMENT.		DWN R. ZHANG 29APR2016	 TE Connectivity		
DIMENSIONS: mm		CHK XX.LI 29APR2016			
TOLERANCES UNLESS OTHERWISE SPECIFIED:		APVD I.YIN 29APR2016	NAME SHIELDING FERRULE		
0 PLC ±- 1 PLC ±0.5 2 PLC ±0.13 3 PLC ±0.013 4 PLC ±0.0001 ANGLES ±- FINISH -		PRODUCT SPEC -	RESTRICTED TO -		
MATERIAL -		APPLICATION SPEC -	SIZE A3	CAGE CODE 00779	DRAWING NO C-2294655
		WEIGHT -	SCALE 2:1		
		CUSTOMER DRAWING	SHEET 1 OF 1		
			REV A		

# Mouser Electronics

Authorized Distributor

Click to View Pricing, Inventory, Delivery & Lifecycle Information:

[TE Connectivity:](#)

[2294655-1](#)