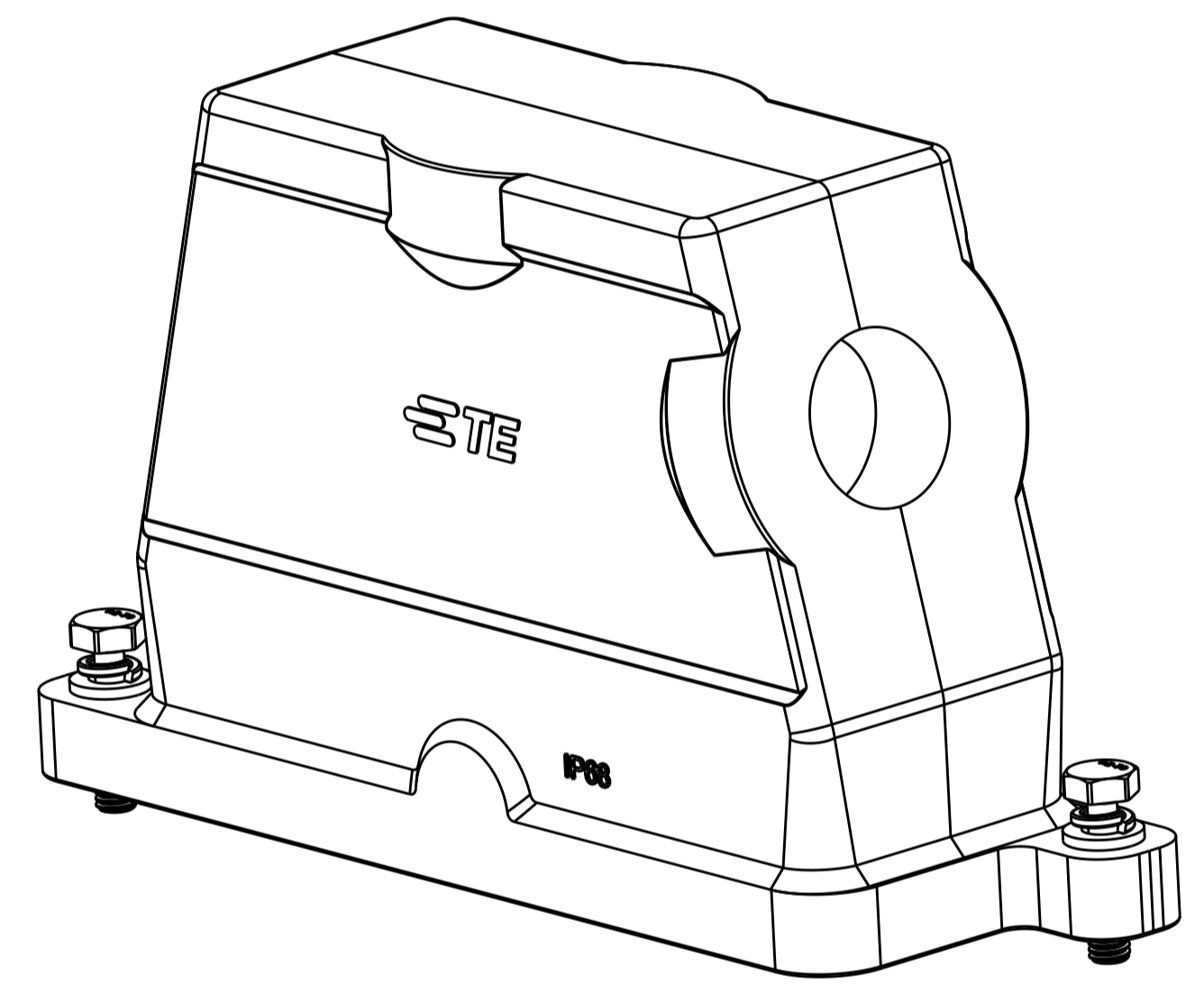
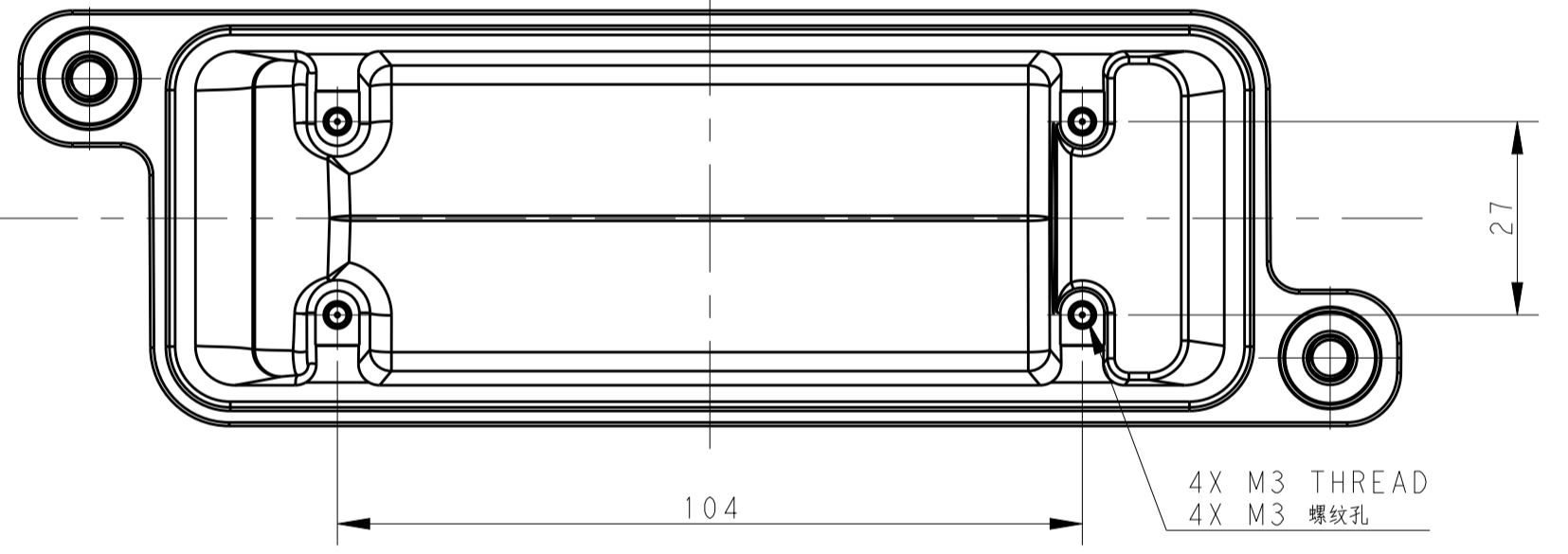
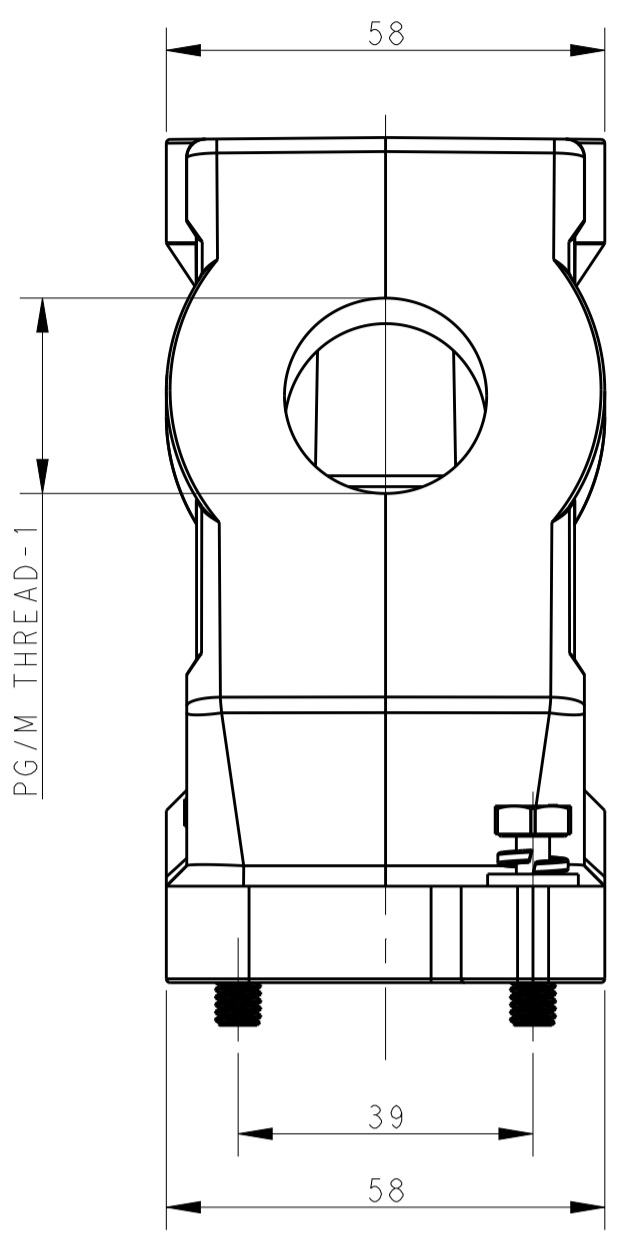
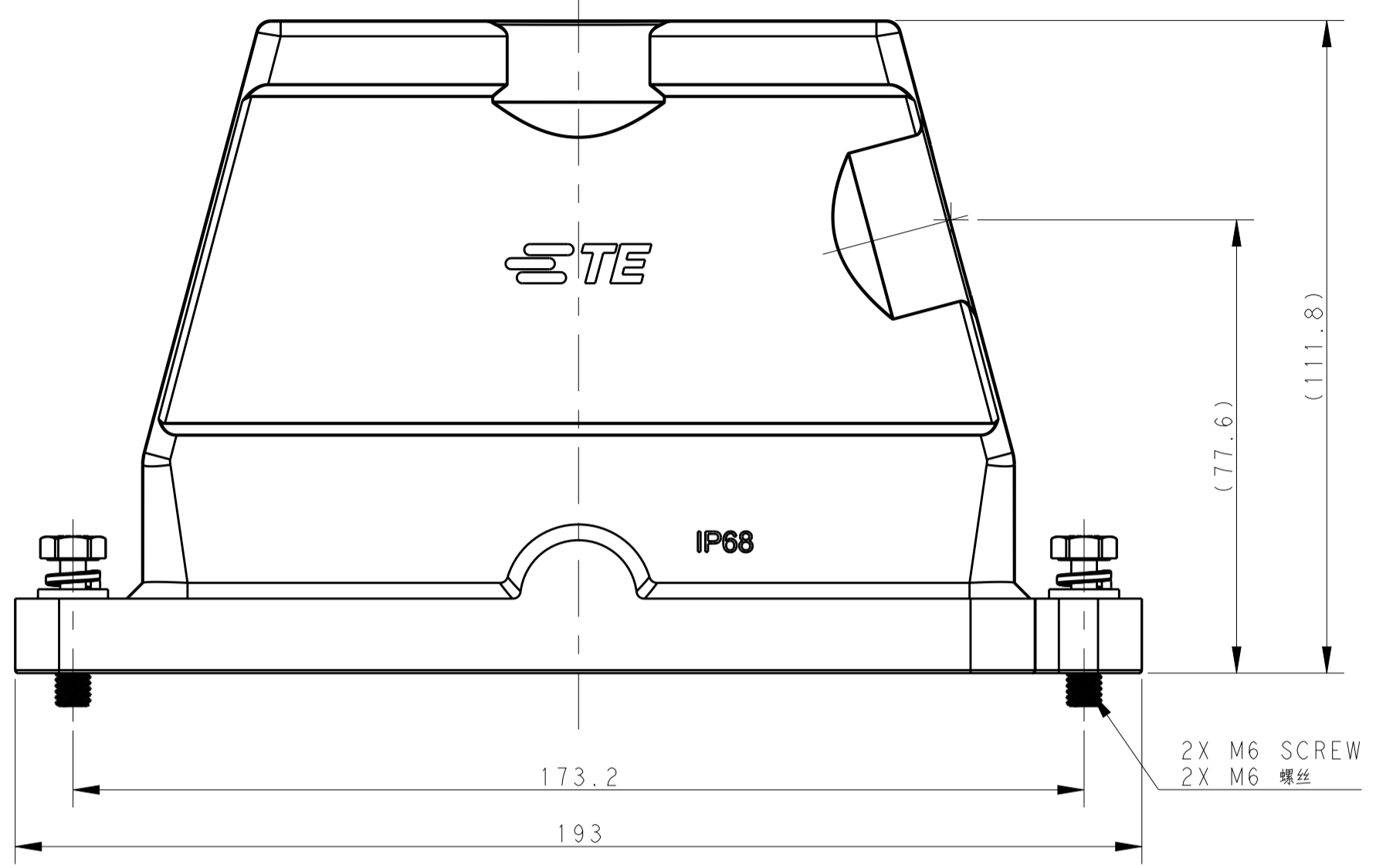


| REVISIONS |     |                 |           |       |
|-----------|-----|-----------------|-----------|-------|
| REV       | LTN | DESCRIPTION     | DATE      | APP'D |
| A         |     | INITIAL RELEASE | 26AUG2016 | DW CW |



NOTES:  
 1. TECHNICAL CHARACTERISTICS:  
 HOOD MATERIAL: DIE CAST ALUMINIUM ALLOY  
 SURFACE: SEE TABLE  
 DEGREE OF PROTECTION: IP68 (MATED)

注释:  
 1. 技术参数:  
 壳体材料: 铝合金  
 表面处理: 见表格  
 防护等级: IP68 (配合)

| PART NUMBER<br>料号 | DESCRIPTION<br>描述   | PG/M THREAD-1<br>PG/M 螺纹-1 |
|-------------------|---|----------------------------|
| T1910241140-009   | H24BPR HOOD, DIAGONAL LOCKING, SIDE ENTRY M40, POWDER COATED, SILVER WHITE<br>H24BPR对角锁定侧出上壳M40 银白色   | M40                        |
| T1910241136-009   | H24BPR HOOD, DIAGONAL LOCKING, SIDE ENTRY PG36, POWDER COATED, SILVER WHITE<br>H24BPR对角锁定侧出上壳PG36 银白色 | PG36                       |
| T1910241132-009   | H24BPR HOOD, DIAGONAL LOCKING, SIDE ENTRY M32, POWDER COATED, SILVER WHITE<br>H24BPR对角锁定侧出上壳M32 银白色   | M32                        |
| T1910241129-009   | H24BPR HOOD, DIAGONAL LOCKING, SIDE ENTRY PG29, POWDER COATED, SILVER WHITE<br>H24BPR对角锁定侧出上壳PG29 银白色 | PG29                       |
| T1910241125-009   | H24BPR HOOD, DIAGONAL LOCKING, SIDE ENTRY M25, POWDER COATED, SILVER WHITE<br>H24BPR对角锁定侧出上壳M25 银白色   | M25                        |
| T1910241121-009   | H24BPR HOOD, DIAGONAL LOCKING, SIDE ENTRY PG21, POWDER COATED, SILVER WHITE<br>H24BPR对角锁定侧出上壳PG21 银白色 | PG21                       |
| T1910240140-009   | H24BPR HOOD, DIAGONAL LOCKING, SIDE ENTRY M40, POWDER COATED, BLACK<br>H24BPR对角锁定侧出上壳M40 黑色           | M40                        |
| T1910240136-009   | H24BPR HOOD, DIAGONAL LOCKING, SIDE ENTRY PG36, POWDER COATED, BLACK<br>H24BPR对角锁定侧出上壳PG36 黑色         | PG36                       |
| T1910240132-009   | H24BPR HOOD, DIAGONAL LOCKING, SIDE ENTRY M32, POWDER COATED, BLACK<br>H24BPR对角锁定侧出上壳M32 黑色           | M32                        |
| T1910240129-009   | H24BPR HOOD, DIAGONAL LOCKING, SIDE ENTRY PG29, POWDER COATED, BLACK<br>H24BPR对角锁定侧出上壳PG29 黑色         | PG29                       |
| T1910240125-009   | H24BPR HOOD, DIAGONAL LOCKING, SIDE ENTRY M25, POWDER COATED, BLACK<br>H24BPR对角锁定侧出上壳M25 黑色           | M25                        |
| T1910240121-009   | H24BPR HOOD, DIAGONAL LOCKING, SIDE ENTRY PG21, POWDER COATED, BLACK<br>H24BPR对角锁定侧出上壳PG21 黑色         | PG21                       |

|  |  |                           |  |
|--|--|---------------------------|--|
| THIS DRAWING IS A CONTROLLED DOCUMENT.   |  | OWN: DAVID WANG 26AUG2016 | TE Connectivity<br>NAME: H24BPR-TSH-PG/M-EMC-C |
| DIMENSIONS: mm   |  | CHK: CHRIS WANG 26AUG2016 |  |
| TOLERANCES UNLESS OTHERWISE SPECIFIED:<br>0 PLC ±<br>2 PLC ±<br>3 PLC ±<br>4 PLC ±<br>ANGLES ± |  | APVD: XIANG YU 26AUG2016  | PRODUCT SPEC: 108-137191                       |
| MATERIAL: -  |  | FINISH: -                 | APPLICATION SPEC: 114-137191                   |
| CUSTOMER DRAWING   |  | SCALE: 1:1                | RESTRICTED TO: -                               |

# Mouser Electronics

Authorized Distributor

Click to View Pricing, Inventory, Delivery & Lifecycle Information:

## [TE Connectivity:](#)

[T1910240121-009](#) [T1910240125-009](#) [T1910240129-009](#) [T1910240132-009](#) [T1910240136-009](#) [T1910240140-009](#)  
[T1910241125-009](#) [T1910241140-009](#) [T1910241129-009](#) [T1910241132-009](#) [T1910241136-009](#) [T1910241121-009](#)