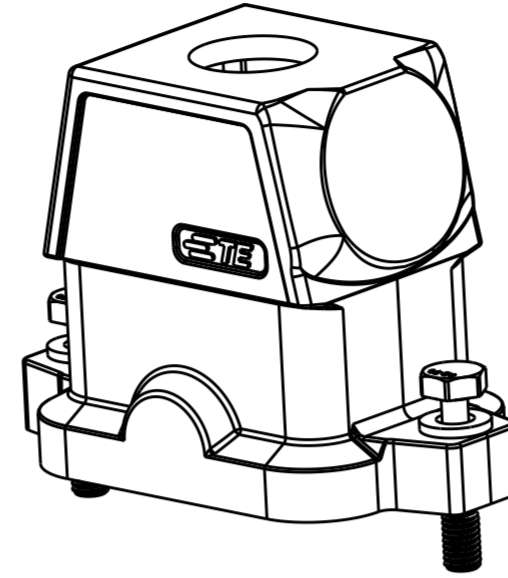
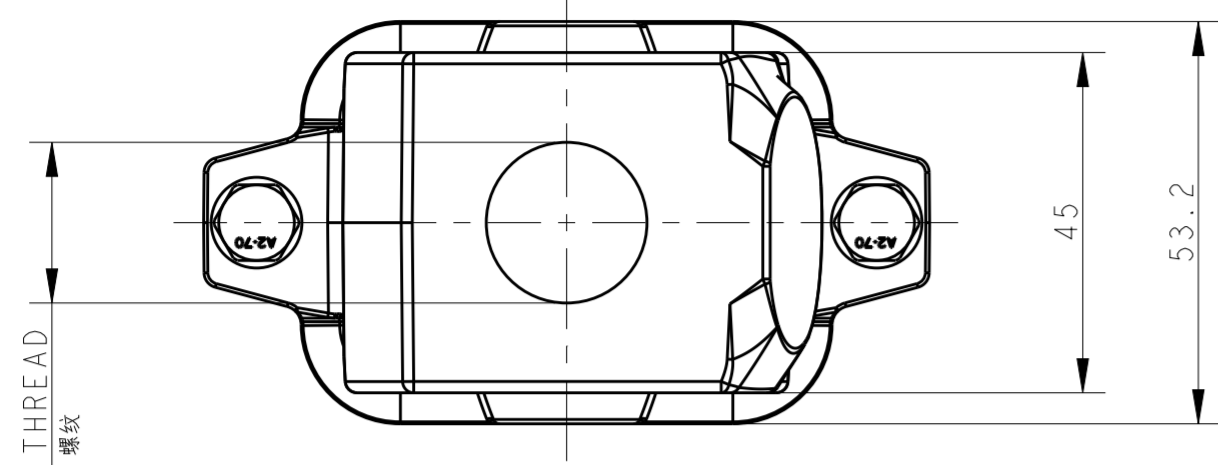


THIS DRAWING IS UNPUBLISHED. RELEASED FOR PUBLICATION 20  
 © COPYRIGHT 20 BY - ALL RIGHTS RESERVED.

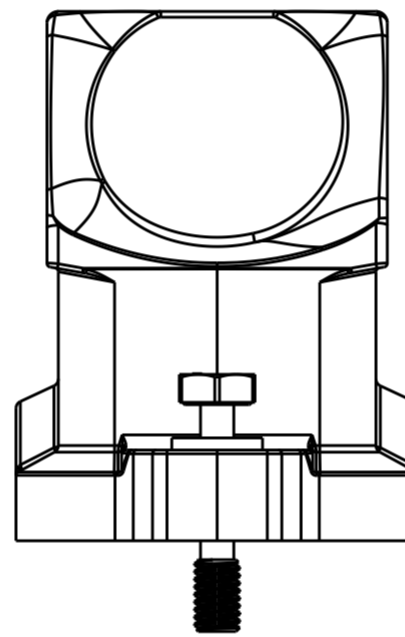
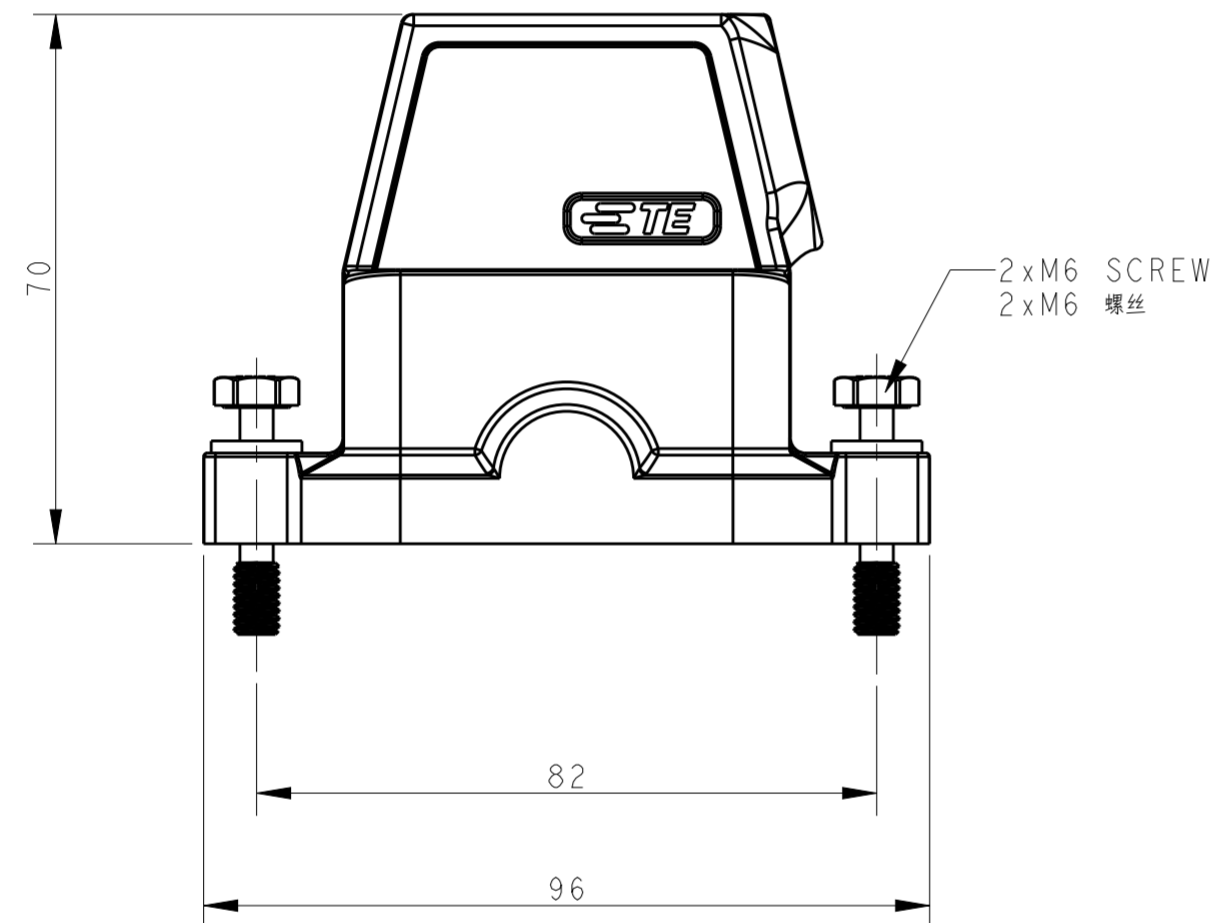
TYPE 1  
 类型 1



REVISIONS					
P	LTR	DESCRIPTION	DATE	DWN	APVD
A		INITIAL RELEASE	22MAY2015	GY	CW
A1		ECR-18-011999	01AUG2018	WOR	CW
A2		ECR-18-009564	19SEP2018	CD	CW

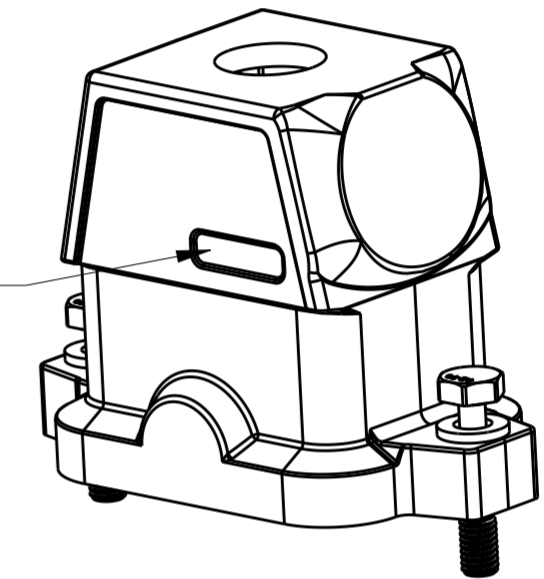
NOTES:  
 1. TECHNICAL CHARACTERISTICS:  
 HOOD MATERIAL: DIE CAST ALUMINIUM ALLOY  
 SURFACE TREATMENT: SEE TABLE  
 DEGREE OF PROTECTION: IP68 (MATED)

注释  
 1. 技术参数:  
 壳体材料: 铝合金  
 表面处理: 见表格  
 防护等级: IP68 (配合)

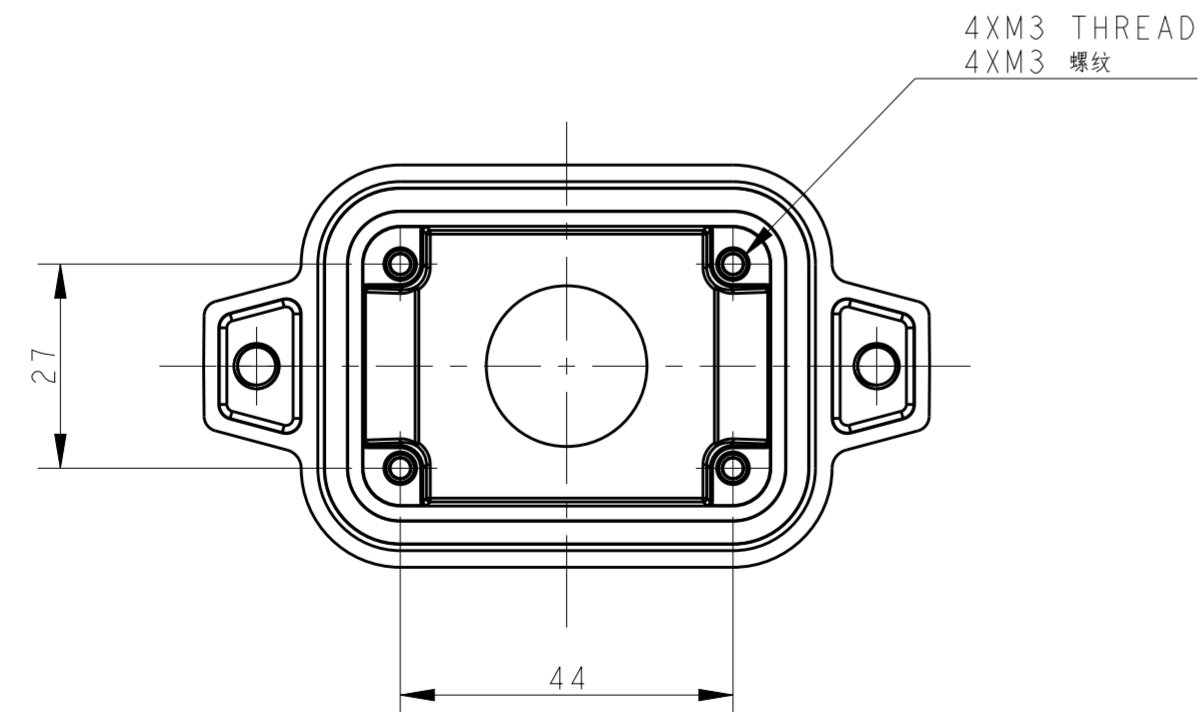


TYPE 2  
 类型 2

WITHOUT TE LOGO



THIS TYPE IS SAME AS TYPE 1, ONLY NO LOGO  
 此类型同类型 1, 只是无 LOGO



THIS DRAWING IS A CONTROLLED DOCUMENT.		DWN Gino Yao 21MAY2015	<b>STE</b> TE Connectivity																	
DIMENSIONS: mm		CHK Chris Wang 21MAY2015				NAME H6BPR-TGHC-PG/M														
TOLERANCES UNLESS OTHERWISE SPECIFIED:		APVD Xiang Xu 21MAY2015	PRODUCT SPEC 108-137014	SIZE A2	CAGE CODE -	DRAWING NO. C-T192206XXXXX00	RESTRICTED TO -													
<table border="1"> <tr><td>0 PLC</td><td>±</td></tr> <tr><td>1 PLC</td><td>±</td></tr> <tr><td>2 PLC</td><td>±</td></tr> <tr><td>3 PLC</td><td>±</td></tr> <tr><td>4 PLC</td><td>±</td></tr> <tr><td>ANGLES</td><td>±</td></tr> <tr><td>FINISH</td><td>±</td></tr> </table>		0 PLC	±	1 PLC	±	2 PLC	±	3 PLC	±	4 PLC	±	ANGLES	±	FINISH	±	APPLICATION SPEC 114-137014	WEIGHT -	SCALE 1:1	SHEET 1 OF 2	REV A2
0 PLC	±																			
1 PLC	±																			
2 PLC	±																			
3 PLC	±																			
4 PLC	±																			
ANGLES	±																			
FINISH	±																			
MATERIAL -		Customer Drawing																		


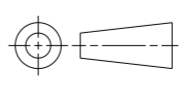
THIS DRAWING IS UNPUBLISHED. RELEASED FOR PUBLICATION 20  
 © COPYRIGHT 20 BY - ALL RIGHTS RESERVED.

REVISIONS				
P	LTR	DESCRIPTION	DATE	APVD
-		SEE SHEET 1	-	-

NOTE:  
SEE SHEET 1

注释:  
见页1

PART NUMBER 料号	SURFACE TREATMEN 表面处理		PART DESCRIPTION 描述	PG/M THREAD PG/M 螺纹	TYPE 类型
T1922062116-001	POWDER COATED, DEEP GREY 表面喷涂, 深灰色	H6BPR-TGHC-PG16	H6BPR HOOD,CENTER LOCKING, TOP ENTRY PG16, POWDER COATED, DEEP GREY, NO LOGO H6BPR上壳, 中部锁定, 顶出PG16, 深灰色粉末喷涂, 无LOGO	PG16	TYPE 2 类型2
T1922062125-001	POWDER COATED, DEEP GREY 表面喷涂, 深灰色	H6BPR-TGHC-M25	H6BPR HOOD,CENTER LOCKING, TOP ENTRY M25, POWDER COATED, DEEP GREY, NO LOGO H6BPR上壳, 中部锁定, 顶出M25, 深灰色粉末喷涂, 无LOGO	M25	
T1922062132-000	POWDER COATED, GREY 表面喷涂, 灰色	H6BPR-TGHC-M32	H6BPR HOOD,CENTER LOCKING, TOP ENTRY M32, POWDER COATED, GREY H6BPR上壳, 中部锁定, 顶出M32, 灰色粉末喷涂	M32	
T1922062129-000	POWDER COATED, GREY 表面喷涂, 灰色	H6BPR-TGHC-PG29	H6BPR HOOD,CENTER LOCKING, TOP ENTRY PG29, POWDER COATED, GREY H6BPR上壳, 中部锁定, 顶出PG29, 灰色粉末喷涂	PG29	
T1922062125-000	POWDER COATED, GREY 表面喷涂, 灰色	H6BPR-TGHC-M25	H6BPR HOOD,CENTER LOCKING, TOP ENTRY M25, POWDER COATED, GREY H6BPR上壳, 中部锁定, 顶出M25, 灰色粉末喷涂	M25	
T1922062121-000	POWDER COATED, GREY 表面喷涂, 灰色	H6BPR-TGHC-PG21	H6BPR HOOD,CENTER LOCKING, TOP ENTRY PG21, POWDER COATED, GREY H6BPR上壳, 中部锁定, 顶出PG21, 灰色粉末喷涂	PG21	
T1922062120-000	POWDER COATED, GREY 表面喷涂, 灰色	H6BPR-TGHC-M20	H6BPR HOOD,CENTER LOCKING, TOP ENTRY M20, POWDER COATED, GREY H6BPR上壳, 中部锁定, 顶出M20, 灰色粉末喷涂	M20	
T1922062116-000	POWDER COATED, GREY 表面喷涂, 灰色	H6BPR-TGHC-PG16	H6BPR HOOD,CENTER LOCKING, TOP ENTRY PG16, POWDER COATED, GREY H6BPR上壳, 中部锁定, 顶出PG16, 灰色粉末喷涂	PG16	
T1922061140-000	POWDER COATED, SILVER WHITE 表面喷涂, 银白色	H6BPR-TGHC-M40	H6BPR HOOD,CENTER LOCKING, TOP ENTRY M40, POWDER COATED, SILVER WHITE H6BPR上壳, 中部锁定, 顶出M40, 银白色粉末喷涂	M40	
T1922061132-000	POWDER COATED, SILVER WHITE 表面喷涂, 银白色	H6BPR-TGHC-M32	H6BPR HOOD,CENTER LOCKING, TOP ENTRY M32, POWDER COATED, SILVER WHITE H6BPR上壳, 中部锁定, 顶出M32, 银白色粉末喷涂	M32	
T1922061129-000	POWDER COATED, SILVER WHITE 表面喷涂, 银白色	H6BPR-TGHC-PG29	H6BPR HOOD,CENTER LOCKING, TOP ENTRY PG29, POWDER COATED, SILVER WHITE H6BPR上壳, 中部锁定, 顶出PG29, 银白色粉末喷涂	PG29	
T1922061125-000	POWDER COATED, SILVER WHITE 表面喷涂, 银白色	H6BPR-TGHC-M25	H6BPR HOOD,CENTER LOCKING, TOP ENTRY M25, POWDER COATED, SILVER WHITE H6BPR上壳, 中部锁定, 顶出M25, 银白色粉末喷涂	M25	TYPE 1 类型1
T1922061121-000	POWDER COATED, SILVER WHITE 表面喷涂, 银白色	H6BPR-TGHC-PG21	H6BPR HOOD,CENTER LOCKING, TOP ENTRY PG21, POWDER COATED, SILVER WHITE H6BPR上壳, 中部锁定, 顶出PG21, 银白色粉末喷涂	PG21	
T1922061120-000	POWDER COATED, SILVER WHITE 表面喷涂, 银白色	H6BPR-TGHC-M20	H6BPR HOOD,CENTER LOCKING, TOP ENTRY M20, POWDER COATED, SILVER WHITE H6BPR上壳, 中部锁定, 顶出M20, 银白色粉末喷涂	M20	
T1922061116-000	POWDER COATED, SILVER WHITE 表面喷涂, 银白色	H6BPR-TGHC-PG16	H6BPR HOOD,CENTER LOCKING, TOP ENTRY PG16, POWDER COATED, SILVER WHITE H6BPR上壳, 中部锁定, 顶出PG16, 银白色粉末喷涂	PG16	
T1922060140-000	POWDER COATED, BLACK 表面喷涂, 黑色	H6BPR-TGHC-M40	H6BPR HOOD,CENTER LOCKING, TOP ENTRY M40, POWDER COATED, BLACK H6BPR上壳, 中部锁定, 顶出M40, 黑色粉末喷涂	M40	
T1922060132-000	POWDER COATED, BLACK 表面喷涂, 黑色	H6BPR-TGHC-M32	H6BPR HOOD,CENTER LOCKING, TOP ENTRY M32, POWDER COATED, BLACK H6BPR上壳, 中部锁定, 顶出M32, 黑色粉末喷涂	M32	
T1922060129-000	POWDER COATED, BLACK 表面喷涂, 黑色	H6BPR-TGHC-PG29	H6BPR HOOD,CENTER LOCKING, TOP ENTRY PG29, POWDER COATED, BLACK H6BPR上壳, 中部锁定, 顶出PG29, 黑色粉末喷涂	PG29	
T1922060125-000	POWDER COATED, BLACK 表面喷涂, 黑色	H6BPR-TGHC-M25	H6BPR HOOD,CENTER LOCKING, TOP ENTRY M25, POWDER COATED, BLACK H6BPR上壳, 中部锁定, 顶出M25, 黑色粉末喷涂	M25	
T1922060121-000	POWDER COATED, BLACK 表面喷涂, 黑色	H6BPR-TGHC-PG21	H6BPR HOOD,CENTER LOCKING, TOP ENTRY PG21, POWDER COATED, BLACK H6BPR上壳, 中部锁定, 顶出PG21, 黑色粉末喷涂	PG21	
T1922060120-000	POWDER COATED, BLACK 表面喷涂, 黑色	H6BPR-TGHC-M20	H6BPR HOOD,CENTER LOCKING, TOP ENTRY M20, POWDER COATED, BLACK H6BPR上壳, 中部锁定, 顶出M20, 黑色粉末喷涂	M20	
T1922060116-000	POWDER COATED, BLACK 表面喷涂, 黑色	H6BPR-TGHC-PG16	H6BPR HOOD,CENTER LOCKING, TOP ENTRY PG16, POWDER COATED, BLACK H6BPR上壳, 中部锁定, 顶出PG16, 黑色粉末喷涂	PG16	

THIS DRAWING IS A CONTROLLED DOCUMENT.		DWN Gino Yao 21MAY2015	 TE Connectivity	
		CHK Chris Wang 21MAY2015		
DIMENSIONS: mm		APVD Xiang Xu 21MAY2015	NAME H6BPR-TGHC-PG/M	
		PRODUCT SPEC 108-137014	RESTRICTED TO	
TOLERANCES UNLESS OTHERWISE SPECIFIED: 0 PLC ± 1 PLC ± 2 PLC ± 3 PLC ± 4 PLC ± ANGLES ± FINISH		APPLICATION SPEC 114-137014	SIZE A2	CAGE CODE -
MATERIAL		WEIGHT	DRAWING NO G-T192206XXXXX00	
		Customer Drawing	SCALE 1:1	SHEET 2 OF 2
			REV A2	

# Mouser Electronics

Authorized Distributor

Click to View Pricing, Inventory, Delivery & Lifecycle Information:

## [TE Connectivity:](#)

[T1922060121-000](#) [T1922060125-000](#) [T1922060129-000](#) [T1922060132-000](#) [T1922061132-000](#) [T1922062120-000](#)  
[T1922061121-000](#) [T1922062116-000](#) [T1922061140-000](#) [T1922060116-000](#) [T1922060120-000](#) [T1922061116-000](#)  
[T1922061120-000](#) [T1922062121-000](#) [T1922062125-000](#) [T1922062129-000](#) [T1922062132-000](#) [T1922061129-000](#)  
[T1922061125-000](#)