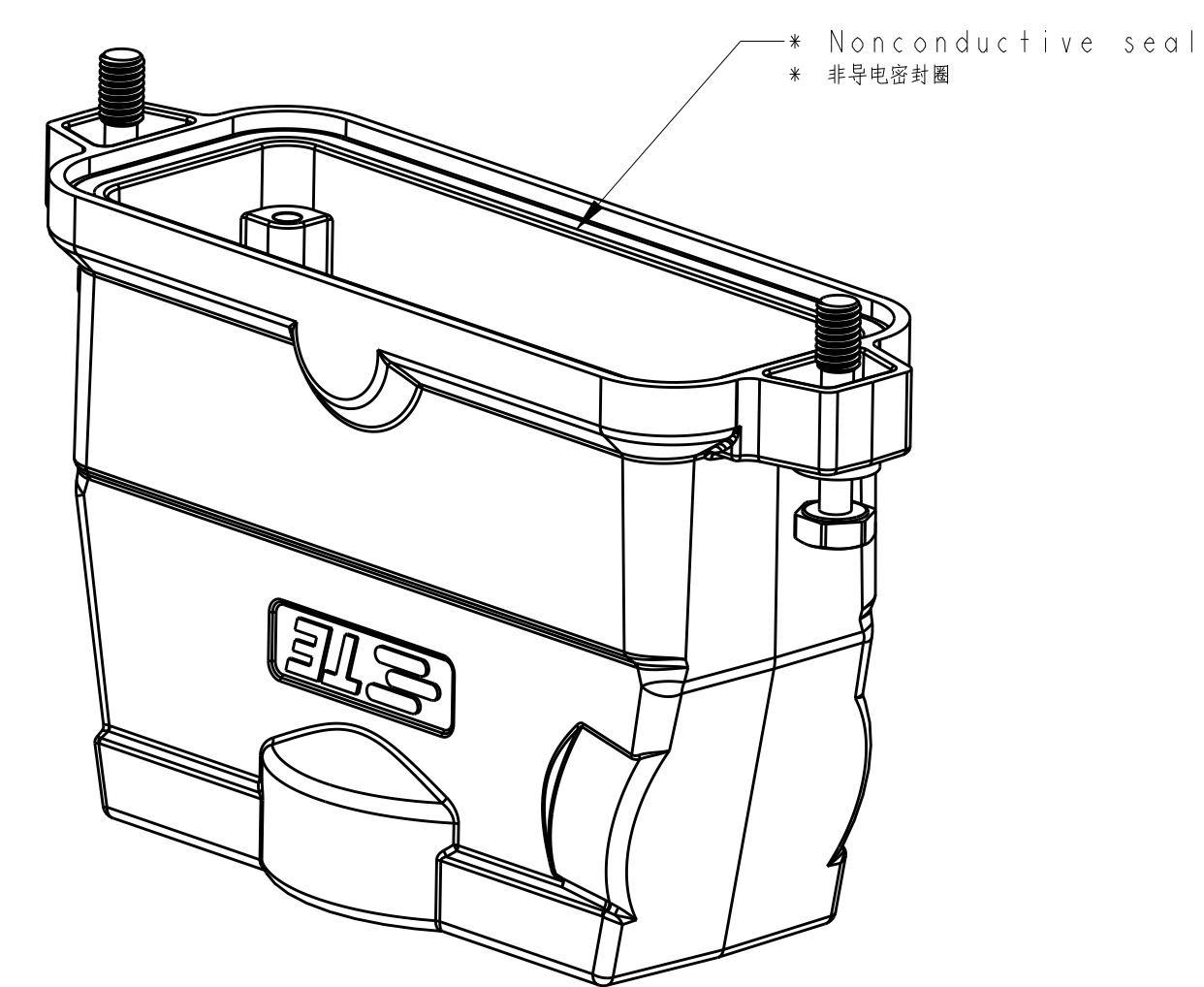
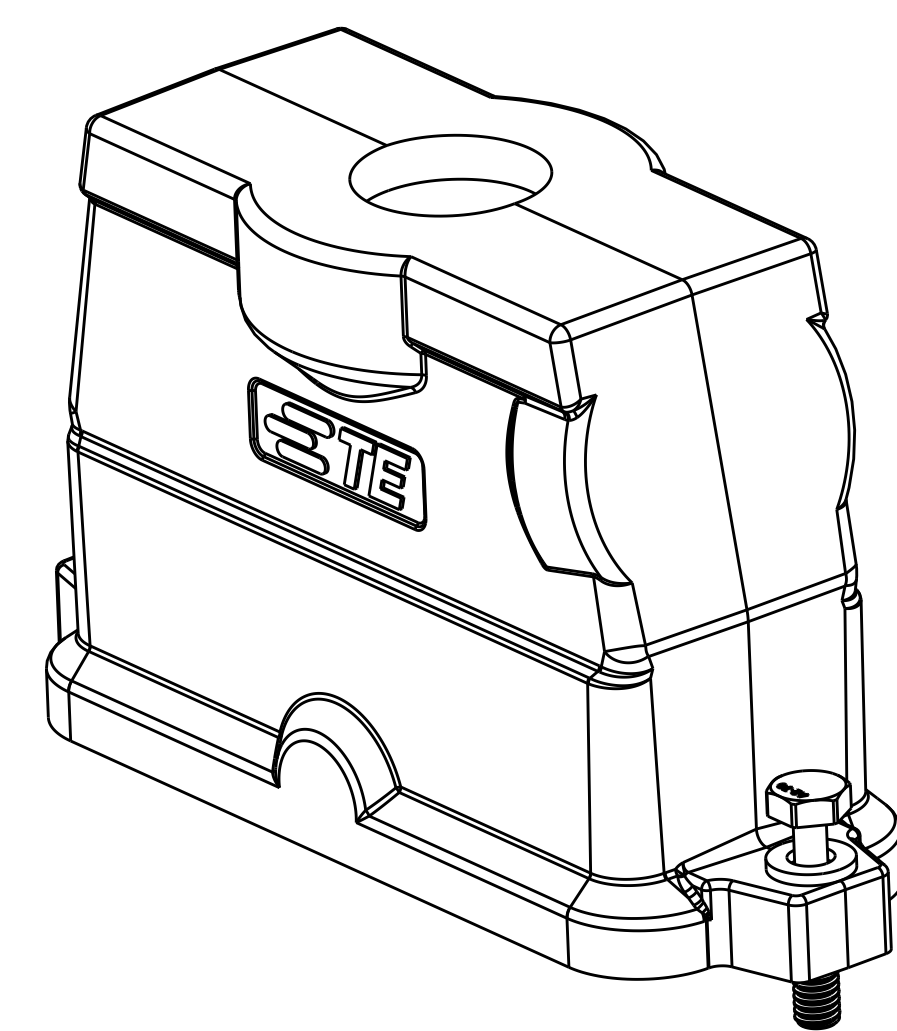
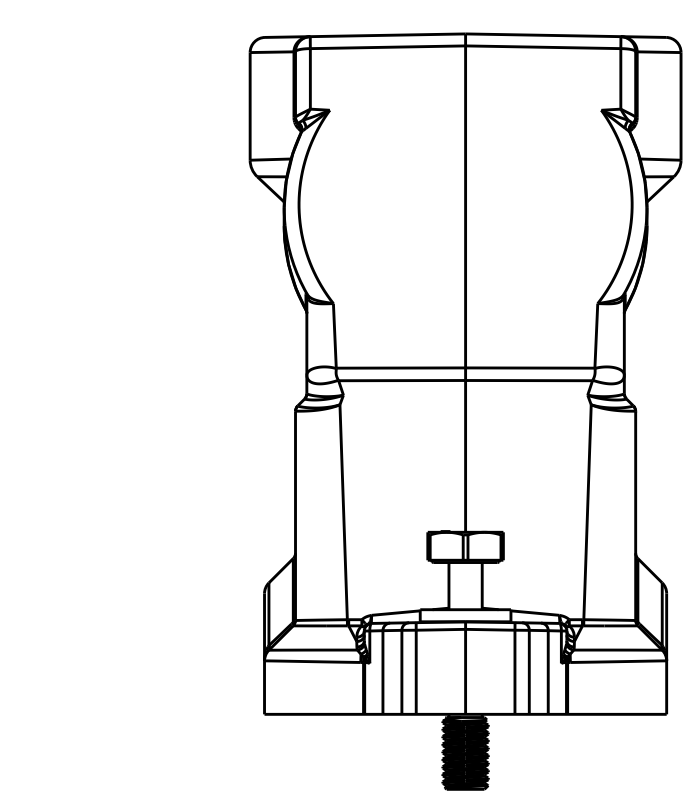
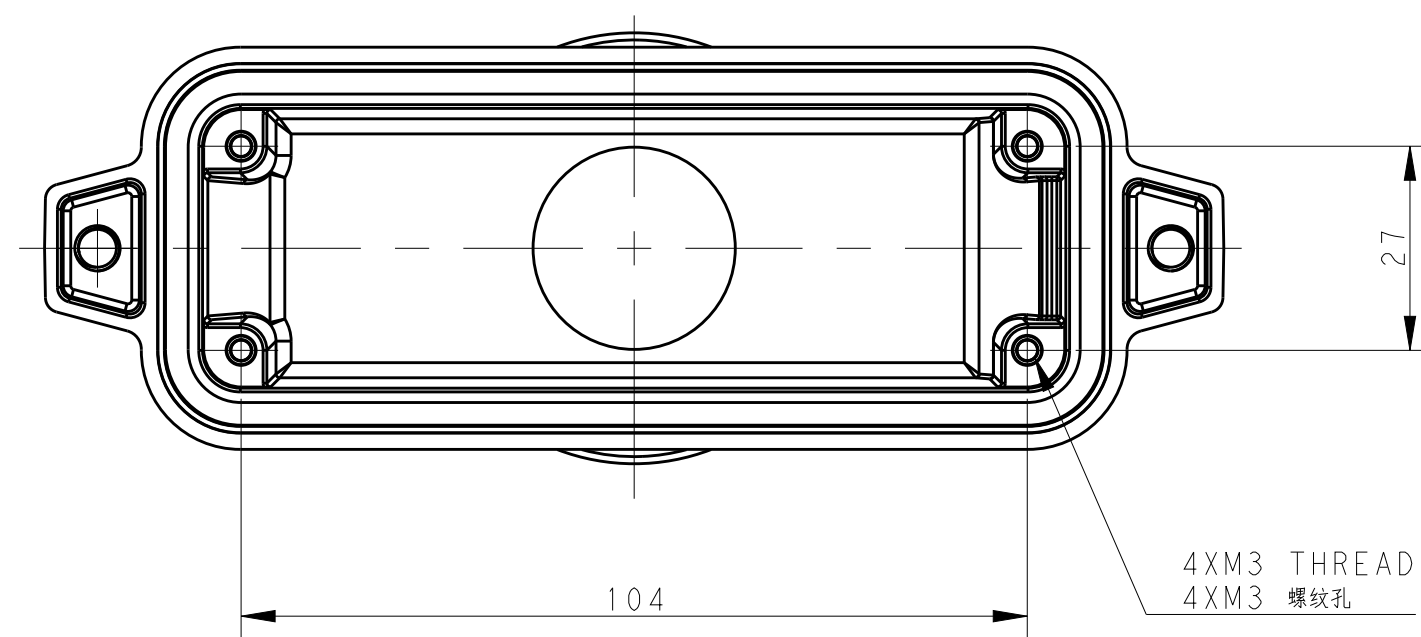
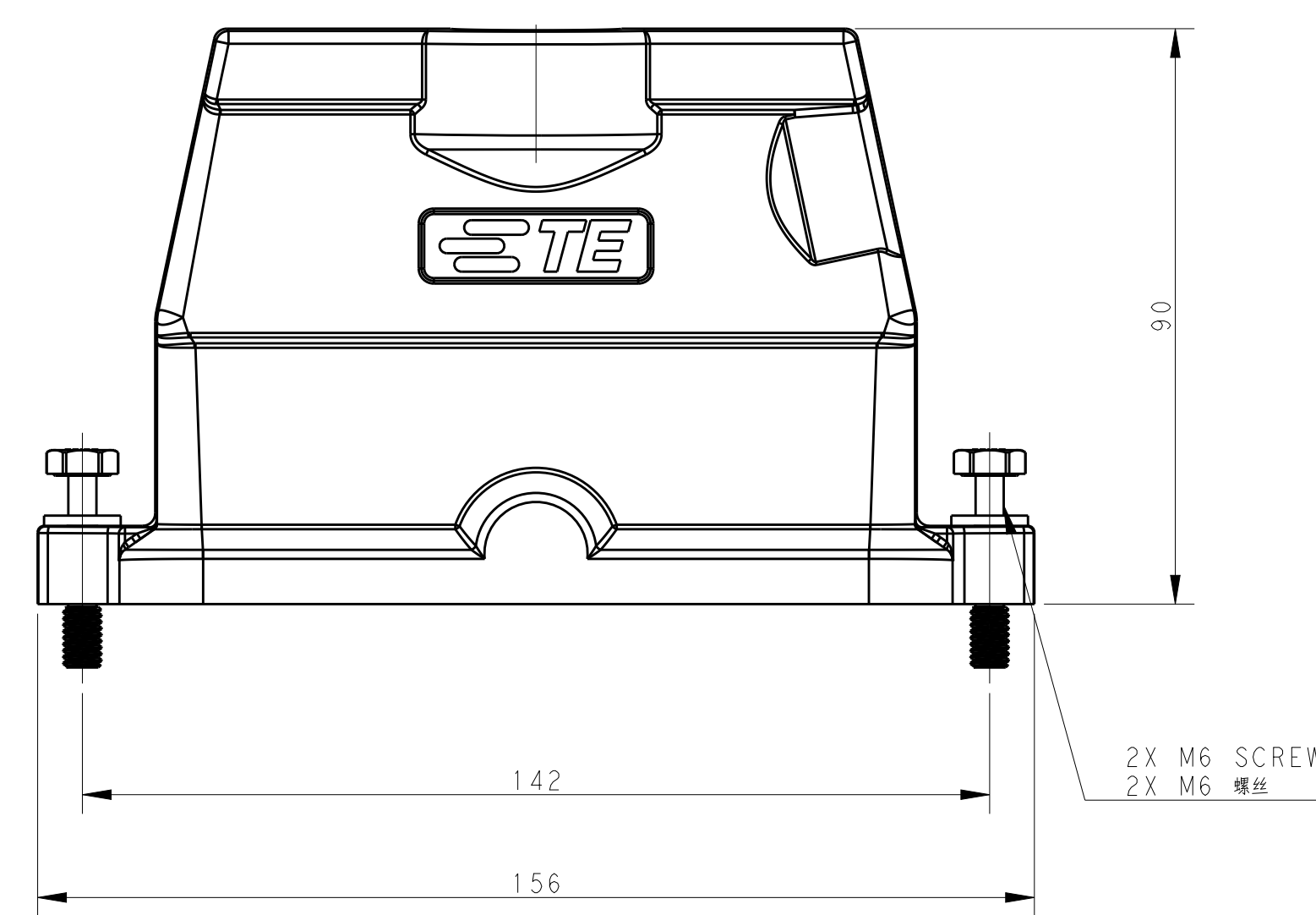
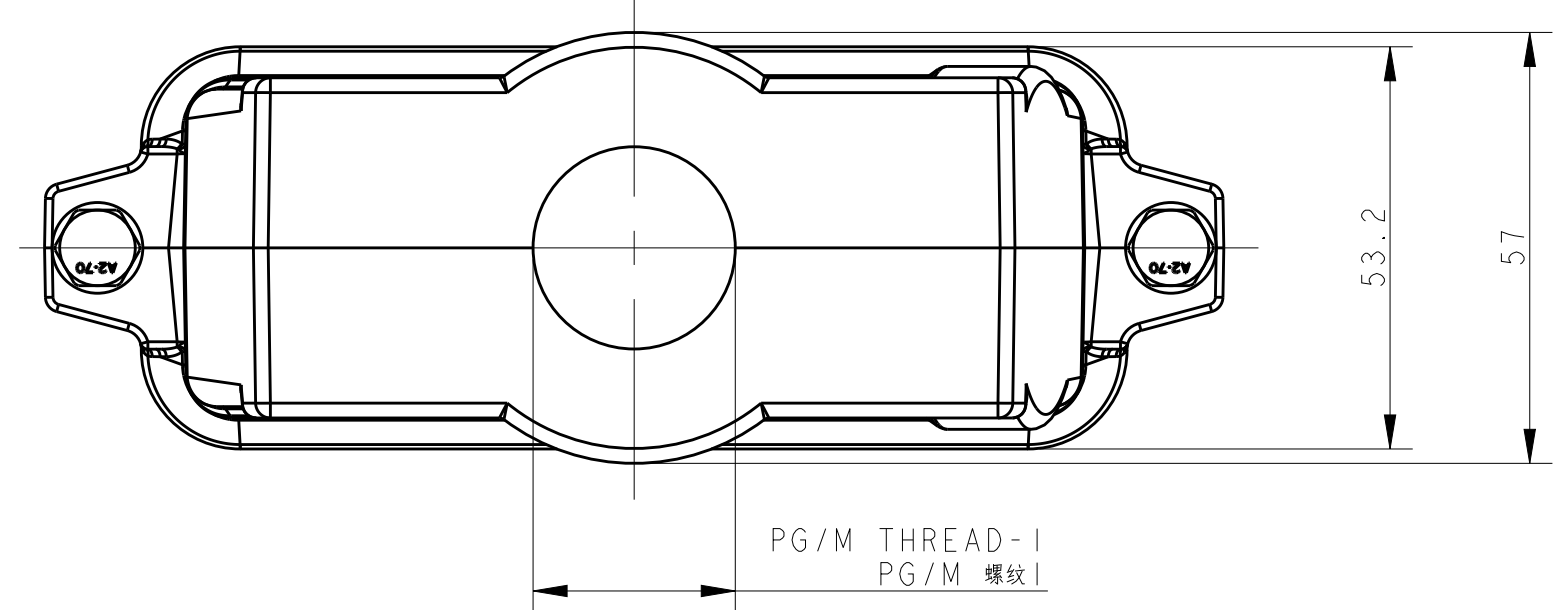


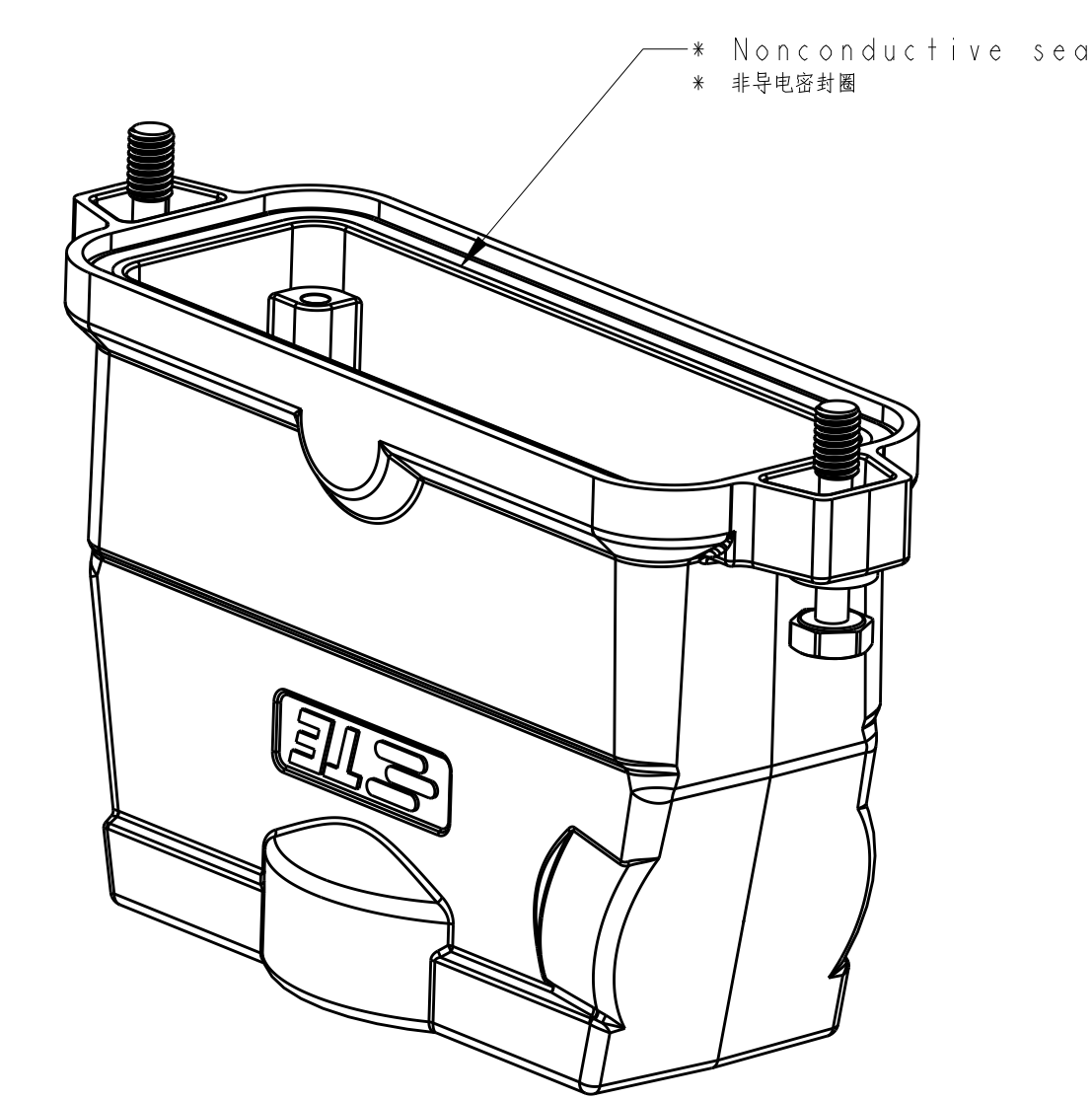
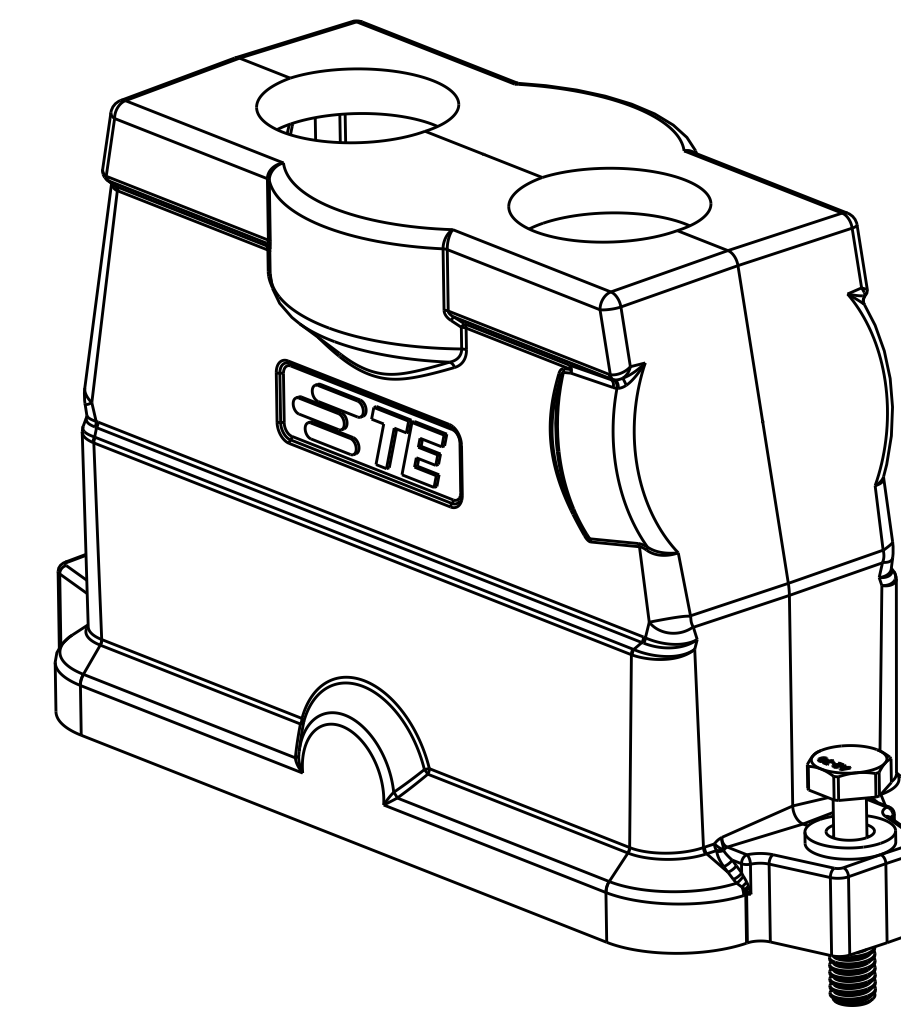
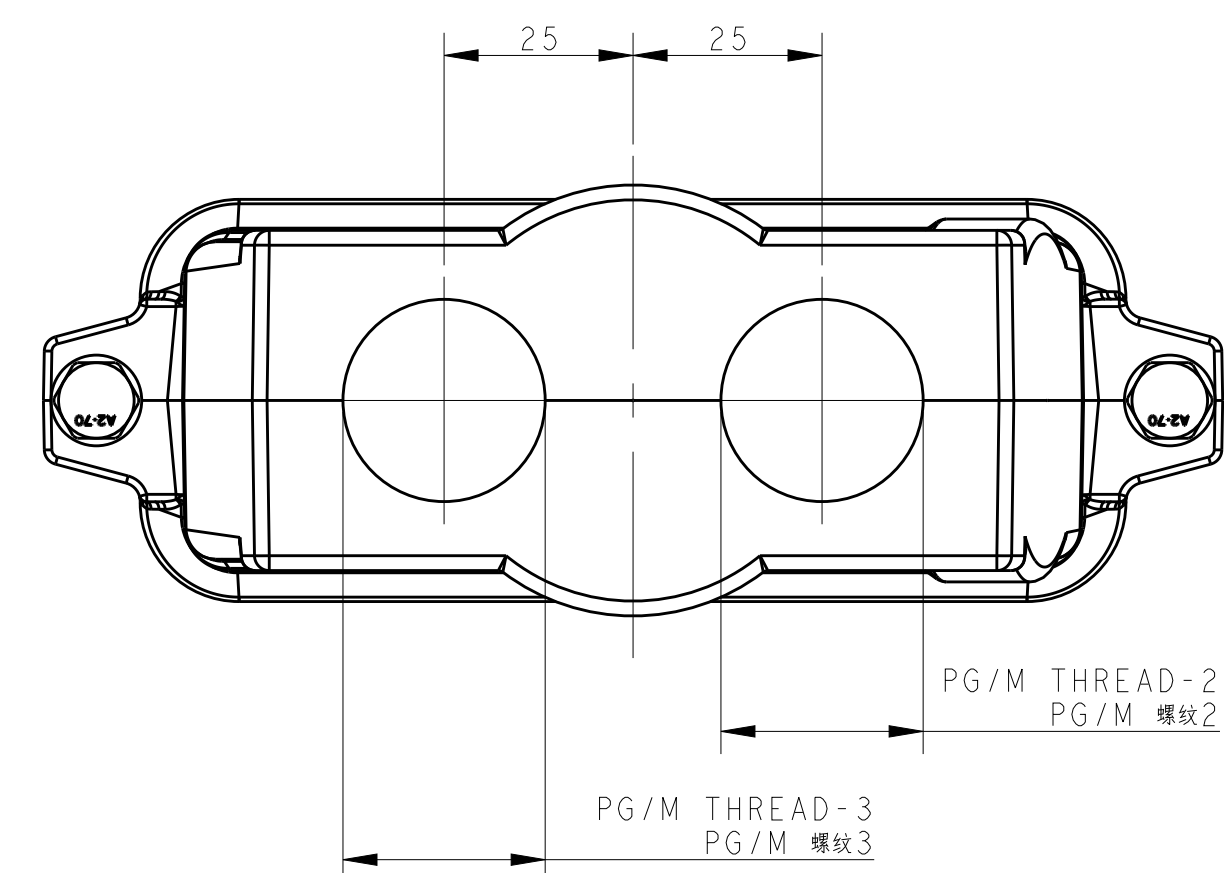
### TYPE 1 类型 1

Single PG/M thread & With nonconductive seal  
 单PG/M螺纹孔且带非导电密封圈



### TYPE 2 类型 2

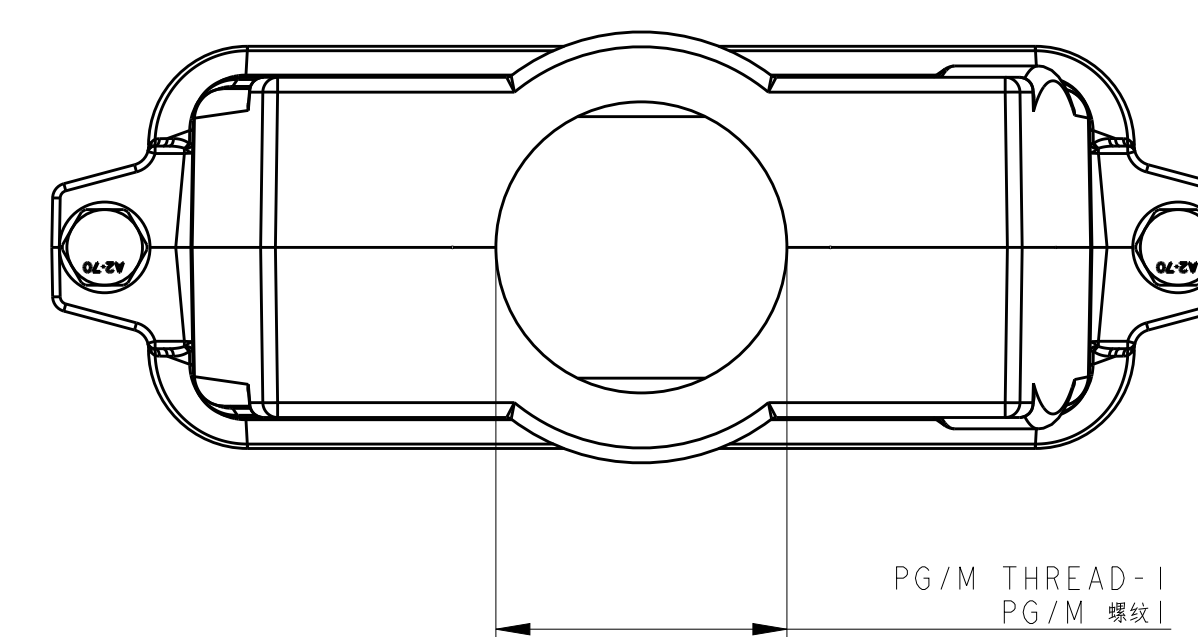
Two PG/M threads & With nonconductive seal  
 两个PG/M螺纹孔且带非导电密封圈



All dimension is same as TYPE 1, except those defined in this TYPE  
 除了在本类型中定义的尺寸外, 其他尺寸同类型 1

### TYPE 4 类型 4

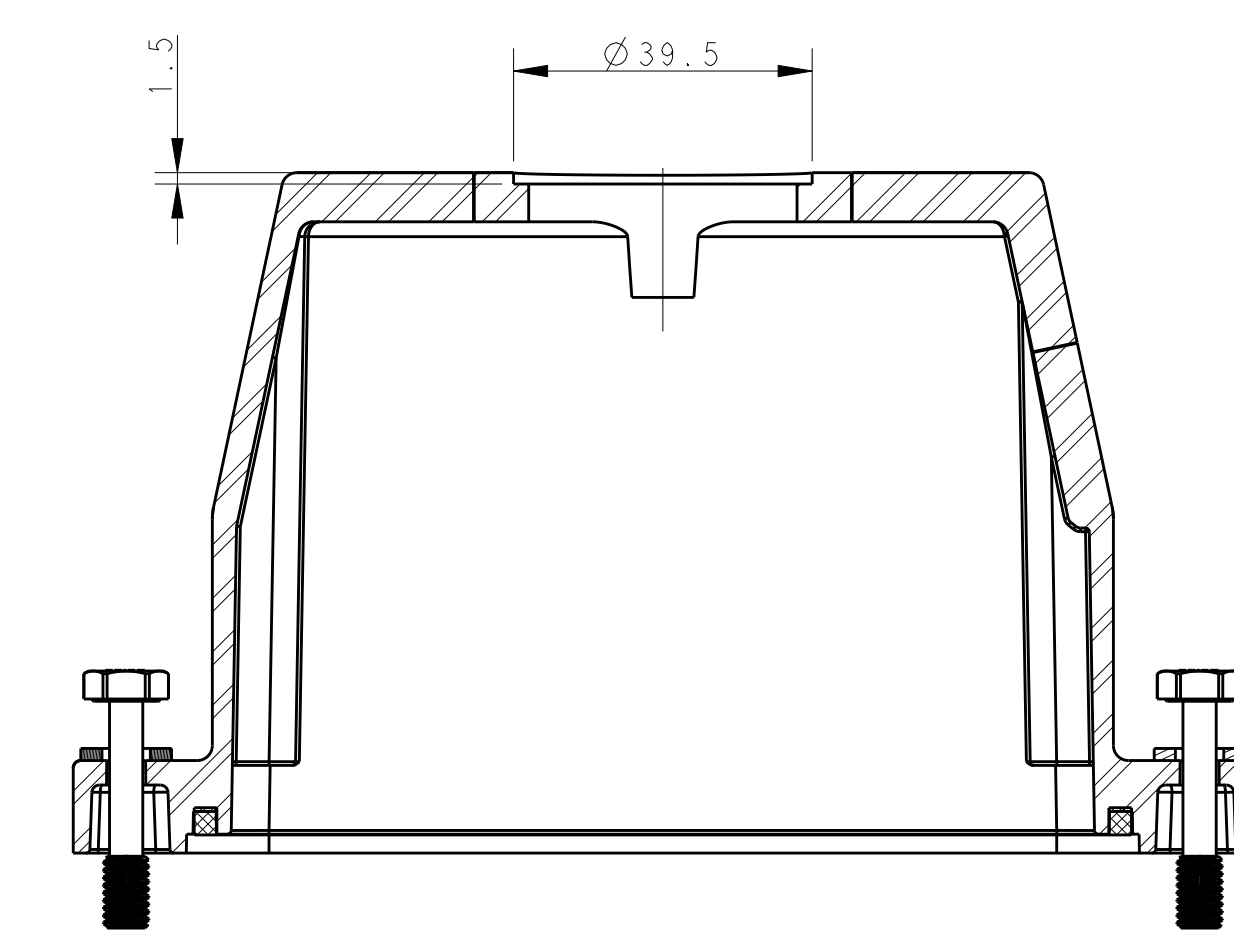
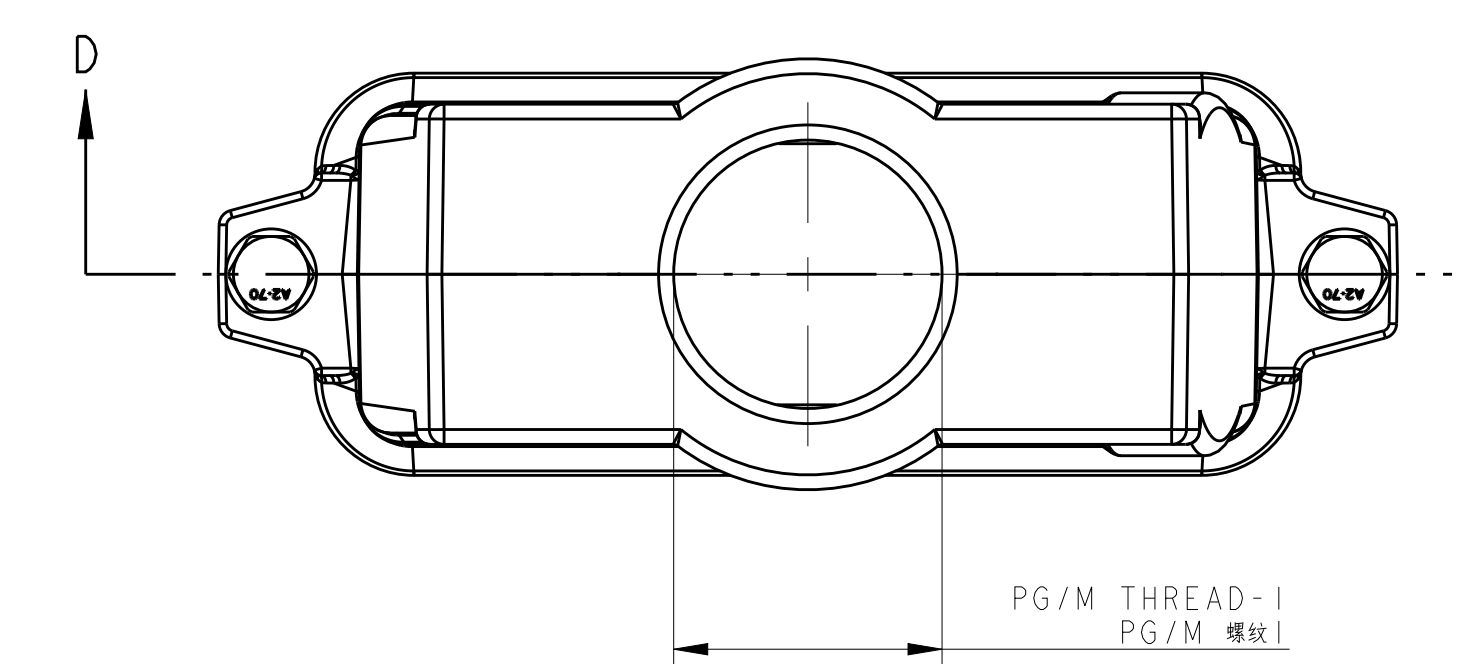
Single PG/M thread & With nonconductive seal, No logo  
 单PG/M螺纹孔且带非导电密封圈, 无Logo



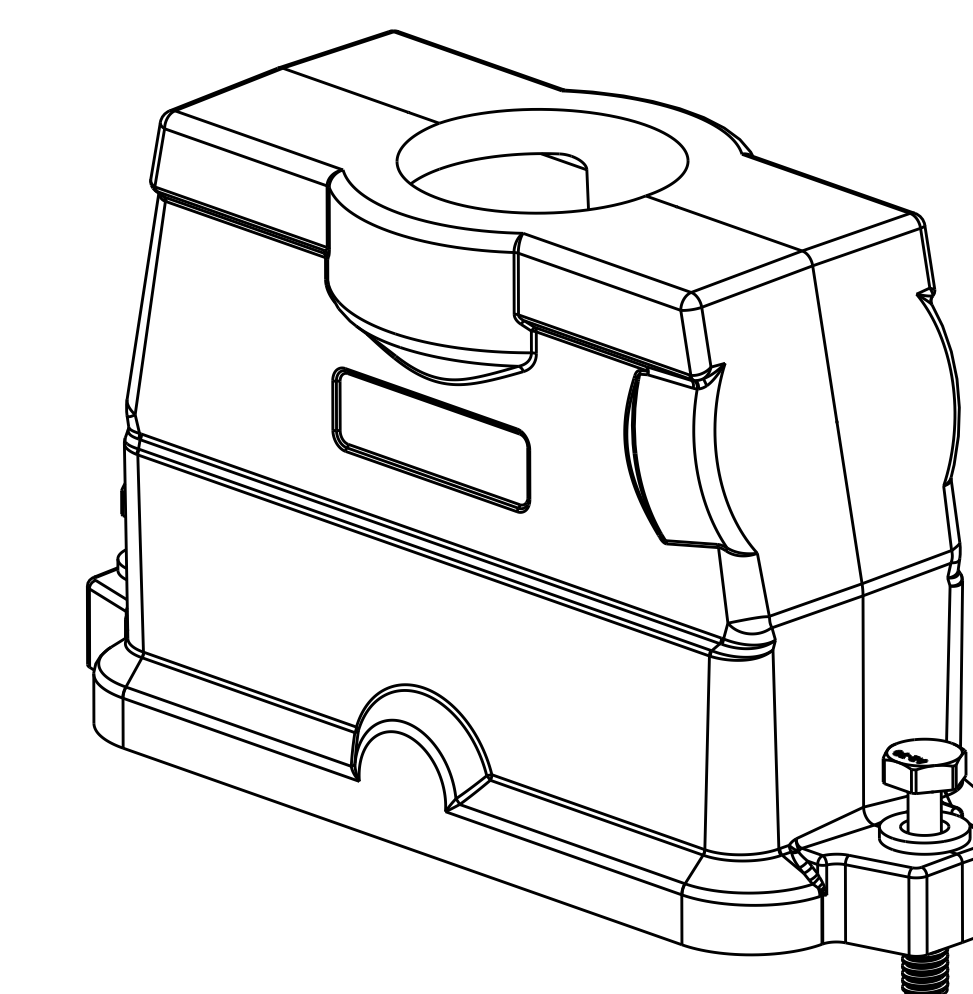
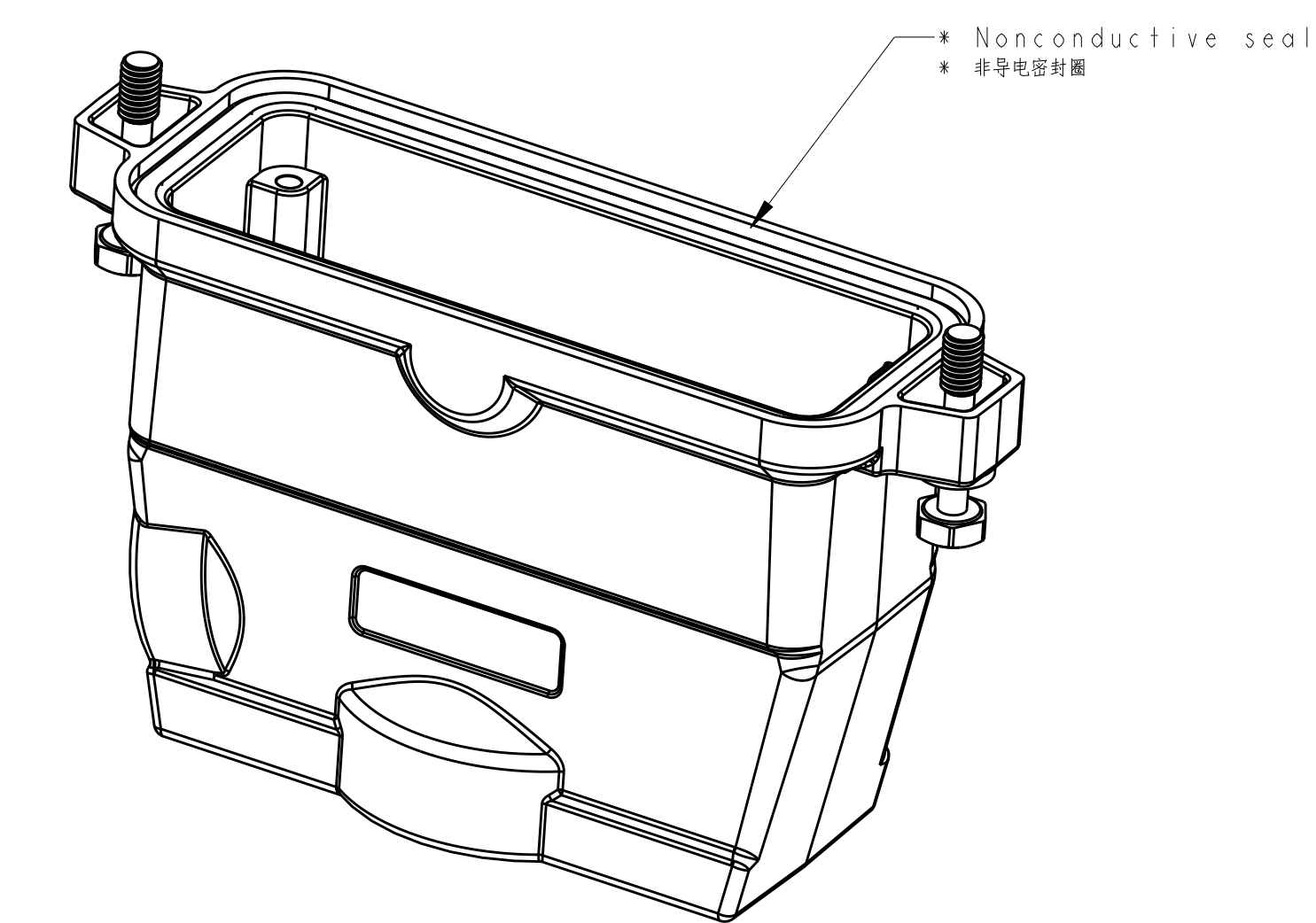
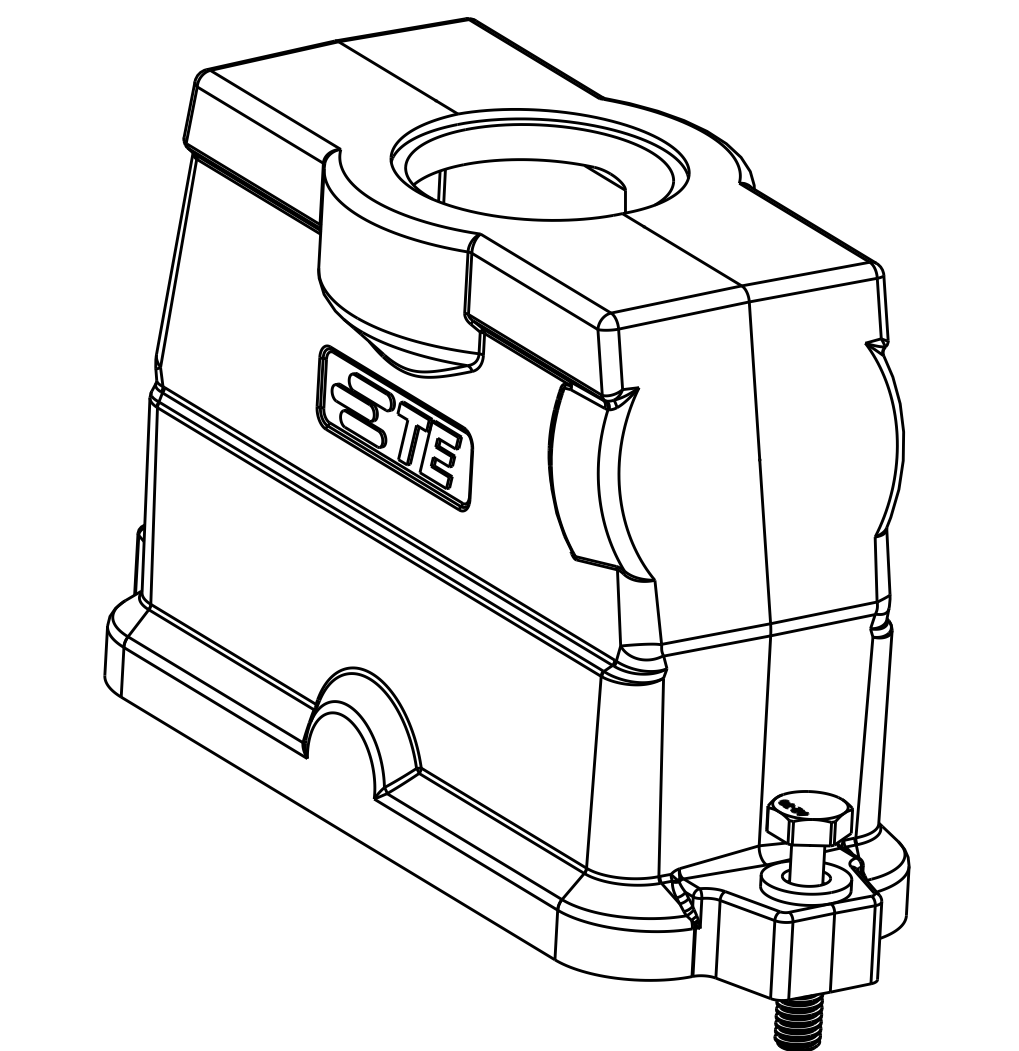
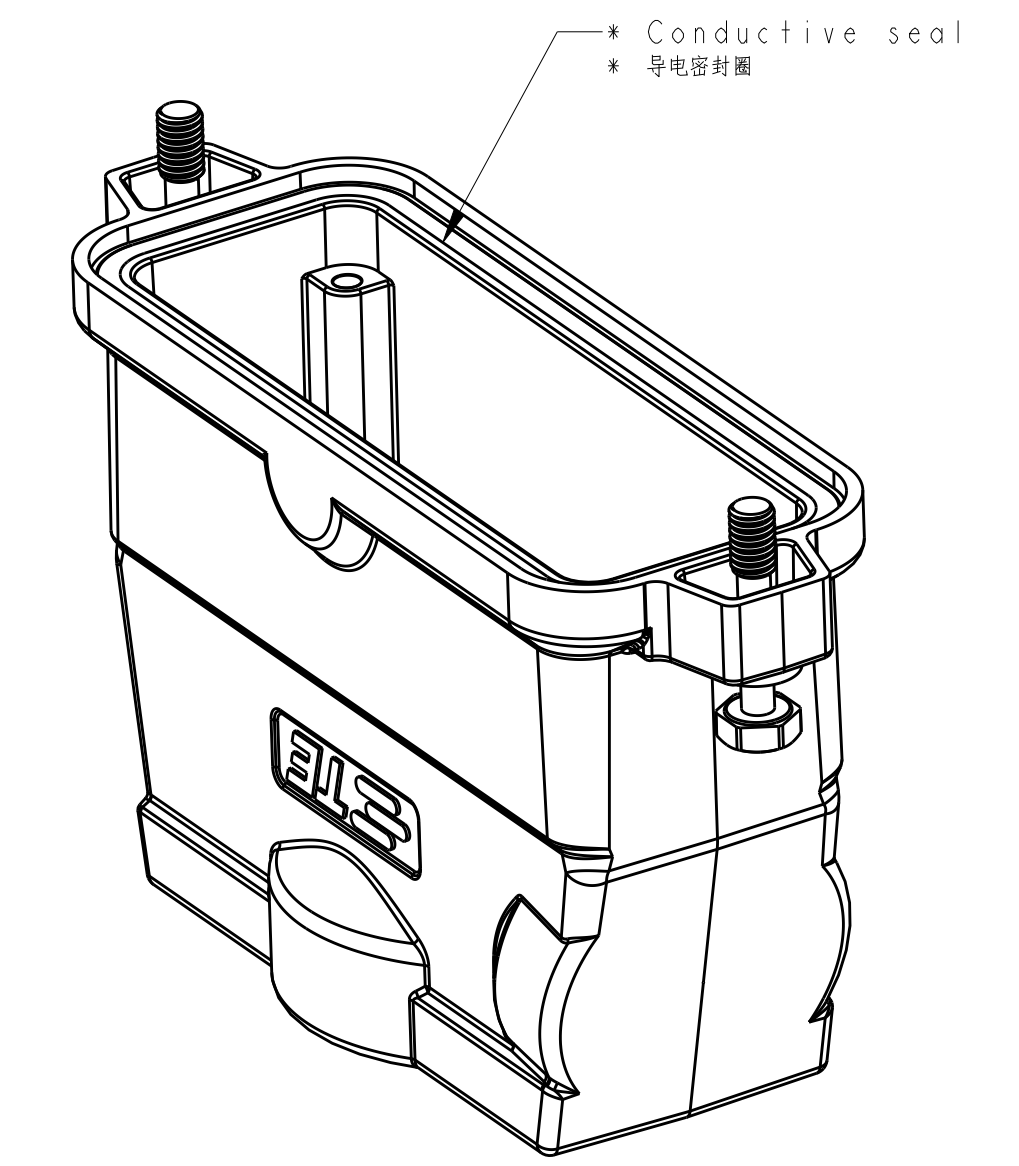
All dimension is same as TYPE 1, except those defined in this TYPE  
 除了在本类型中定义的尺寸外, 其他尺寸同类型 1

### TYPE 3 类型 3

Single PG/M thread & With conductive seal  
 单PG/M螺纹孔且带导电密封圈



All dimension is same as TYPE 1, except those defined in this TYPE  
 除了在本类型中定义的尺寸外, 其他尺寸同类型 1



REVISIONS			
REV	DATE	DESCRIPTION	BY
B	20MAR2015	ECR-16-007814	GY
B1	20MAR2017	ECR-17-004165	BS
B2	16JUN2018	ECR-18-010109	CD
B3	20SEP2018	ECR-18-009564	CD

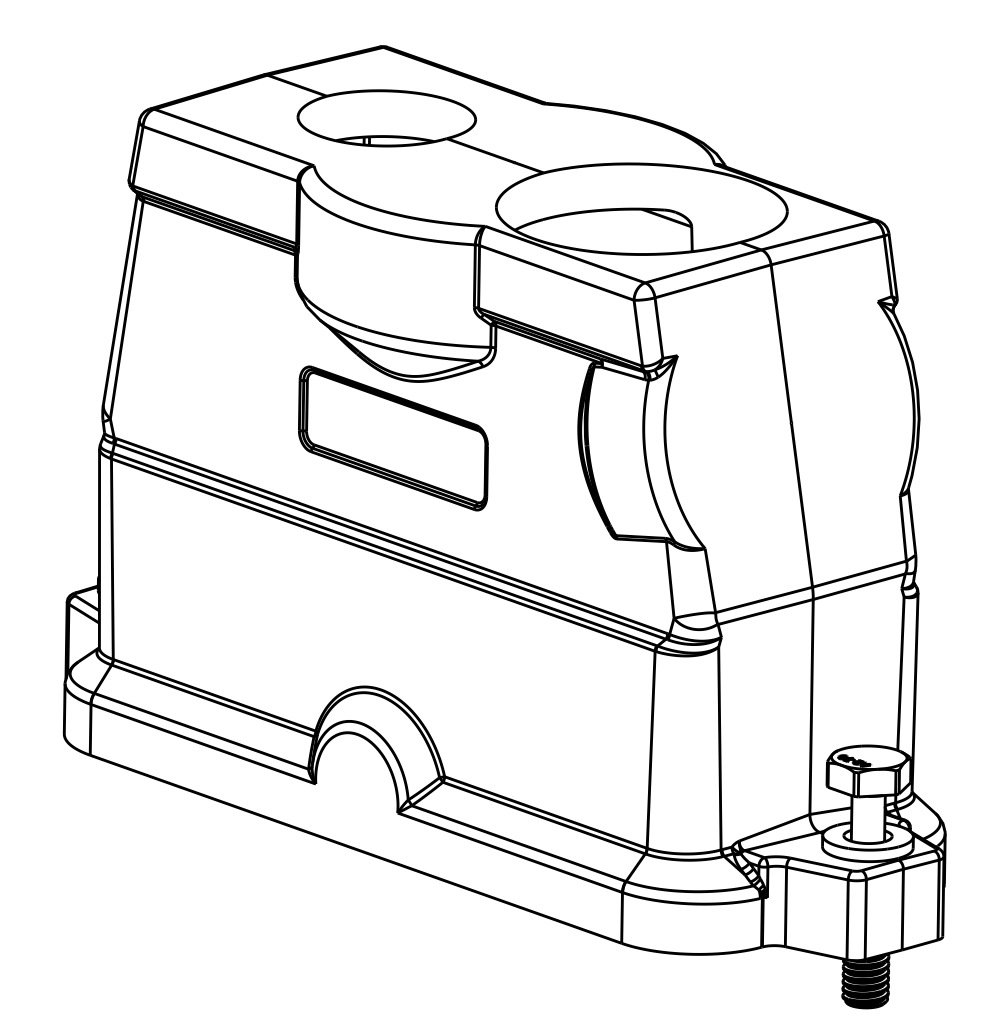
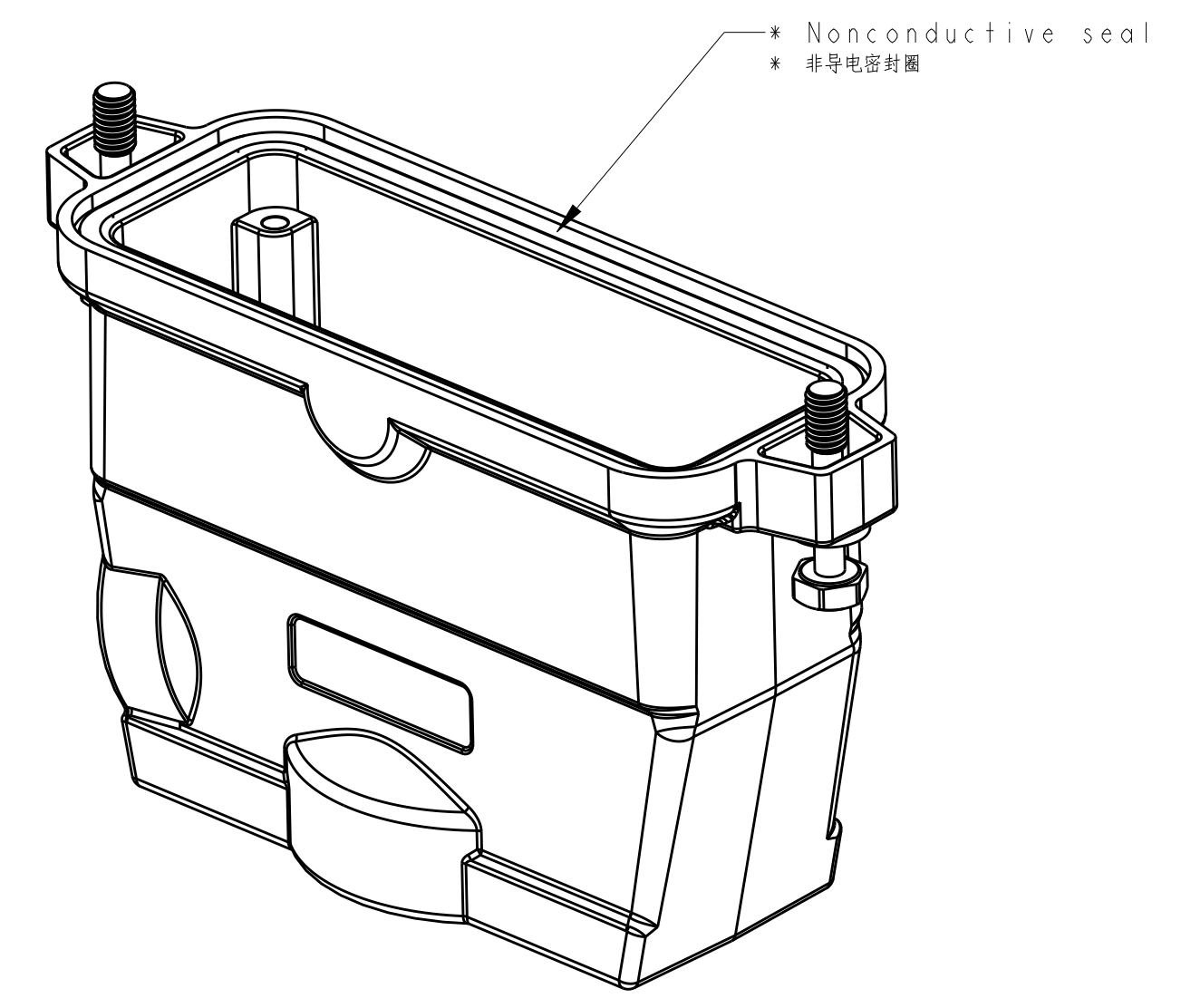
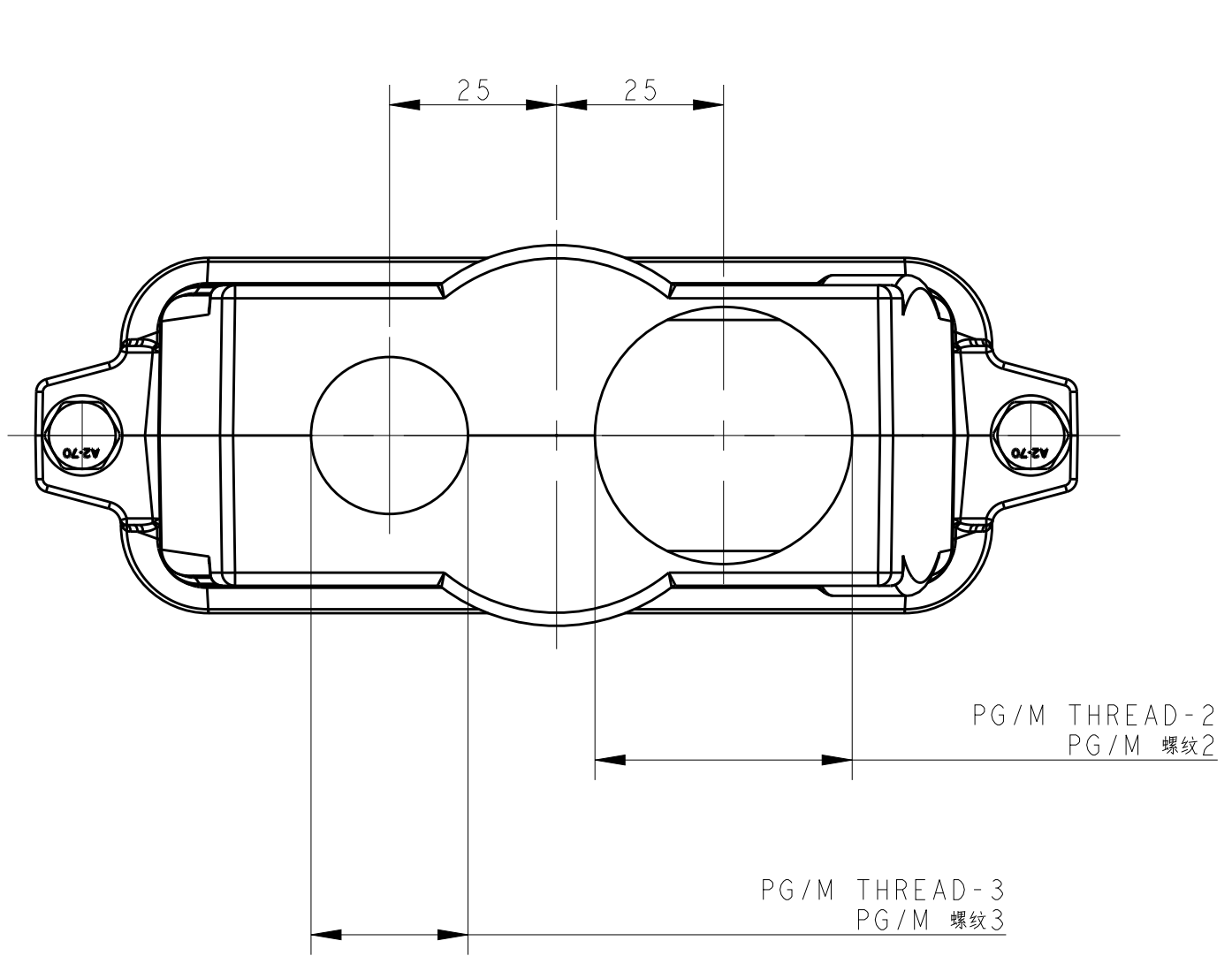
THIS DRAWING IS A CONTROLLED DOCUMENT.		DATE: 16 JUN 2015	BY: G.Luo_Yao
DIMENSIONS:		DATE: 16 JUN 2015	BY: C.H.Li_Wang
DRAWN:		DATE: 16 JUN 2015	BY: Y.Liang_Yao
CHECKED:		DATE:	BY:
APPROVED:		DATE:	BY:
MATERIAL:		PRODUCT SPEC:	108-137014
FINISH:		APPLICATION SPEC:	114-137014
CUSTOMER DRAWING		WEIGHT:	
		ANGLE:	
		SCALE:	1:1
		SHEET:	1 of 2
		REV:	B3



H24BPR-TGHC-PG/M

TYPE 5  
 类型5

Two PG/M threads & With nonconductive seal, No Logo  
 两个PG/M螺柱及带有非导电密封, 无Logo



NOTES:  
 1. TECHNICAL CHARACTERISTICS:  
 HOOD MATERIAL: DIE CAST ALUMINIUM ALLOY  
 SURFACE TREATMENT: SEE TABLE  
 DEGREE OF PROTECTION: IP68 (MATED)

注释:  
 1. 技术参数:  
 壳体材料: 铝合金  
 表面处理: 见表格  
 防护等级: IP68 (配合)

REVISIONS			
REV	DATE	BY	APPD
-	-	-	-
-	-	-	-
-	-	-	-

All dimension is same as TYPE 1, except those defined in this TYPE  
 除了在本表格中文档尺寸外, 其他尺寸均遵照1

PART NUMBER 料号	SURFACE 表面处理	DESCRIPTION 描述	PG/M THREAD-3 PG/M 螺柱3	PG/M THREAD-2 PG/M 螺柱2	PG/M THREAD-1 PG/M 螺柱1	TYPE 类型
T1922242125-001	POWDER COATED, DEEP GREY 表面喷涂, 深灰色	H24BPR-TGHC-M25 H24BPR HOOD, CENTER LOCKING, TOP ENTRY M25, POWDER COATED, DEEP GREY, NO LOGO H24BPR上盖, 中翻锁, 顶出M25, 深灰色粉末喷涂, 无LOGO	-	-	M25	TYPE 4 类型4
T1922242132-001	POWDER COATED, DEEP GREY 表面喷涂, 深灰色	H24BPR-TGHC-M32 H24BPR HOOD, CENTER LOCKING, TOP ENTRY M32, POWDER COATED, DEEP GREY, NO LOGO H24BPR上盖, 中翻锁, 顶出M32, 深灰色粉末喷涂, 无LOGO	-	-	M32	TYPE 4 类型4
T1922242150-001	POWDER COATED, DEEP GREY 表面喷涂, 深灰色	H24BPR-TGHC-M50 H24BPR HOOD, CENTER LOCKING, TOP ENTRY M50, POWDER COATED, DEEP GREY, NO LOGO H24BPR上盖, 中翻锁, 顶出M50, 深灰色粉末喷涂, 无LOGO	-	-	M50	TYPE 4 类型4
T1922244140-001	POWDER COATED, DEEP GREY 表面喷涂, 深灰色	H24BPR-TGHC-M40 H24BPR HOOD, CENTER LOCKING, TOP ENTRY M40, POWDER COATED, DEEP GREY, NO LOGO H24BPR上盖, 中翻锁, 顶出M40, 深灰色粉末喷涂, 无LOGO	-	-	M40	TYPE 5 类型5
T1922244025-001	POWDER COATED, DEEP GREY 表面喷涂, 深灰色	H24BPR-TGHC-M40/M25 H24BPR HOOD, CENTER LOCKING, TOP ENTRY M40/M25, POWDER COATED, DEEP GREY, NO LOGO H24BPR上盖, 中翻锁, 顶出M40/M25, 深灰色粉末喷涂, 无LOGO	M25	M40	-	TYPE 5 类型5
T1922241129-001	POWDER COATED, SILVER WHITE 表面喷涂, 银白色	H24BPR-TGHC-PG29 H24BPR HOOD, CENTER LOCKING, TOP ENTRY PG29, POWDER COATED, SILVER WHITE, CONDUCTIVE, THREAD HOLE WITH STEP H24BPR上盖, 中翻锁, 顶出PG29, 银白色粉末喷涂, 导电, 螺柱孔带台阶	-	-	PG29	TYPE 3 类型3
T1922240129-001	POWDER COATED, BLACK 表面喷涂, 黑色	H24BPR-TGHC-PG29 H24BPR HOOD, CENTER LOCKING, TOP ENTRY PG29, POWDER COATED, BLACK, CONDUCTIVE, THREAD HOLE WITH STEP H24BPR上盖, 中翻锁, 顶出PG29, 黑色粉末喷涂, 导电, 螺柱孔带台阶	-	-	PG29	TYPE 3 类型3
T1922241221-000	POWDER COATED, SILVER WHITE 表面喷涂, 银白色	H24BPR-TGHC-2PG21 H24BPR HOOD, CENTER LOCKING, TOP ENTRY 2PG21, POWDER COATED, SILVER WHITE H24BPR上盖, 中翻锁, 顶出2PG21, 银白色粉末喷涂	PG21	PG21	-	TYPE 2 类型2
T1922244025-000	POWDER COATED, SILVER WHITE 表面喷涂, 银白色	H24BPR-TGHC-M40/M25 H24BPR HOOD, CENTER LOCKING, TOP ENTRY M40/M25, POWDER COATED, SILVER WHITE H24BPR上盖, 中翻锁, 顶出M40/M25, 银白色粉末喷涂	M25	M40	-	TYPE 2 类型2
T1922241140-000	POWDER COATED, SILVER WHITE 表面喷涂, 银白色	H24BPR-TGHC-M40 H24BPR HOOD, CENTER LOCKING, TOP ENTRY M40, POWDER COATED, SILVER WHITE H24BPR上盖, 中翻锁, 顶出M40, 银白色粉末喷涂	-	-	M40	TYPE 1 类型1
T1922241136-000	POWDER COATED, SILVER WHITE 表面喷涂, 银白色	H24BPR-TGHC-PG36 H24BPR HOOD, CENTER LOCKING, TOP ENTRY PG36, POWDER COATED, SILVER WHITE H24BPR上盖, 中翻锁, 顶出PG36, 银白色粉末喷涂	-	-	PG36	TYPE 1 类型1
T1922241132-000	POWDER COATED, SILVER WHITE 表面喷涂, 银白色	H24BPR-TGHC-M32 H24BPR HOOD, CENTER LOCKING, TOP ENTRY M32, POWDER COATED, SILVER WHITE H24BPR上盖, 中翻锁, 顶出M32, 银白色粉末喷涂	-	-	M32	TYPE 1 类型1
T1922241129-000	POWDER COATED, SILVER WHITE 表面喷涂, 银白色	H24BPR-TGHC-PG29 H24BPR HOOD, CENTER LOCKING, TOP ENTRY PG29, POWDER COATED, SILVER WHITE H24BPR上盖, 中翻锁, 顶出PG29, 银白色粉末喷涂	-	-	PG29	TYPE 1 类型1
T1922241125-000	POWDER COATED, SILVER WHITE 表面喷涂, 银白色	H24BPR-TGHC-M25 H24BPR HOOD, CENTER LOCKING, TOP ENTRY M25, POWDER COATED, SILVER WHITE H24BPR上盖, 中翻锁, 顶出M25, 银白色粉末喷涂	-	-	M25	TYPE 1 类型1
T1922240121-000	POWDER COATED, SILVER WHITE 表面喷涂, 银白色	H24BPR-TGHC-PG21 H24BPR HOOD, CENTER LOCKING, TOP ENTRY PG21, POWDER COATED, SILVER WHITE H24BPR上盖, 中翻锁, 顶出PG21, 银白色粉末喷涂	-	-	PG21	TYPE 1 类型1
T1922240140-000	POWDER COATED, BLACK 表面喷涂, 黑色	H24BPR-TGHC-M40 H24BPR HOOD, CENTER LOCKING, TOP ENTRY M40, POWDER COATED, BLACK H24BPR上盖, 中翻锁, 顶出M40, 黑色粉末喷涂	-	-	M40	TYPE 1 类型1
T1922240136-000	POWDER COATED, BLACK 表面喷涂, 黑色	H24BPR-TGHC-PG36 H24BPR HOOD, CENTER LOCKING, TOP ENTRY PG36, POWDER COATED, BLACK H24BPR上盖, 中翻锁, 顶出PG36, 黑色粉末喷涂	-	-	PG36	TYPE 1 类型1
T1922240132-000	POWDER COATED, BLACK 表面喷涂, 黑色	H24BPR-TGHC-M32 H24BPR HOOD, CENTER LOCKING, TOP ENTRY M32, POWDER COATED, BLACK H24BPR上盖, 中翻锁, 顶出M32, 黑色粉末喷涂	-	-	M32	TYPE 1 类型1
T1922240129-000	POWDER COATED, BLACK 表面喷涂, 黑色	H24BPR-TGHC-PG29 H24BPR HOOD, CENTER LOCKING, TOP ENTRY PG29, POWDER COATED, BLACK H24BPR上盖, 中翻锁, 顶出PG29, 黑色粉末喷涂	-	-	PG29	TYPE 1 类型1
T1922240125-000	POWDER COATED, BLACK 表面喷涂, 黑色	H24BPR-TGHC-M25 H24BPR HOOD, CENTER LOCKING, TOP ENTRY M25, POWDER COATED, BLACK H24BPR上盖, 中翻锁, 顶出M25, 黑色粉末喷涂	-	-	M25	TYPE 1 类型1
T1922240121-000	POWDER COATED, BLACK 表面喷涂, 黑色	H24BPR-TGHC-PG21 H24BPR HOOD, CENTER LOCKING, TOP ENTRY PG21, POWDER COATED, BLACK H24BPR上盖, 中翻锁, 顶出PG21, 黑色粉末喷涂	-	-	PG21	TYPE 1 类型1

THIS DRAWING IS A CONTROLLED DOCUMENT. DATE: 16JUN2015  
 DIMENSIONS: (mm) DATE: 16JUN2015  
 DIMENSIONS: (inch) DATE: 16JUN2015  
 MATERIAL: FINISH: WEIGHT: CUSTOMER DRAWING  
 SCALE: 1:1 SHEET 2 of 2 REV B3  
 STC TE Connectivity  
 H24BPR-TGHC-PG/M

# Mouser Electronics

Authorized Distributor

Click to View Pricing, Inventory, Delivery & Lifecycle Information:

## [TE Connectivity:](#)

[T1922240132-000](#) [T1922240121-000](#) [T1922240129-000](#) [T1922240140-000](#) [T1922240136-000](#) [T1922240125-000](#)  
[T1922241125-000](#) [T1922241132-000](#) [T1922241140-000](#) [T1922241121-000](#) [T1922241129-000](#) [T1922241136-000](#)  
[T1922241221-000](#)