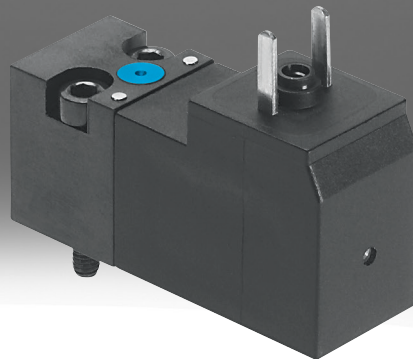


Standards-based valve VSCS

FESTO



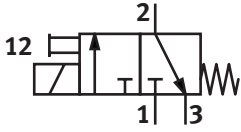
Type code

001	Series	
VSCS	Standards-based valve to ISO 15218	
002	Directional control valve type	
B	Sub-base valve	
003	Valve function	
M32	3/2-way solenoid valve	
M32C	3/2-way valve, normally closed	
004	Reset method for monostable/single solenoid valves	
M	Mechanical spring	
005	Manual override	
	None	
D	Non-detenting, detenting	
H	Non-detenting	
T	Non-detenting, detenting with accessories	
006	Pneumatic connection	
WA	Sub-base size 15 mm to ISO 15218 (CNOMO)	
WB	Sub-base size 30 mm to ISO 15218 (CNOMO)	

007	Nominal operating voltage	
	None	
1	24 V DC	
1A	24 V AC/50-60 Hz	
2A	110 V AC/50-60 Hz	
3A	230 V AC/50-60 Hz	
5	12 V DC	
008	Electrical connection	
	None	
C1	Plug pattern type C, to EN 175301-803	
E1	Plug pattern type C, industry standard	
R3	Individual plug M12, to EN 61076-2-101	
009	Valve pilot control interface	
	Standard	
F8	With armature tube 8 mm, long	
010	Pressure range [MPa]	
	0 ... 1	
8	0.15 ... 0.8	

Datasheet

General technical data



Construction width	15 mm	30 mm	
Operating pressure	0 ... 1 MPa	0.15 ... 0.8 MPa	0.2 ... 1 MPa
Conforms to standard	ISO 15218		
Design	–		Sub-base valve
Valve function	3/2-way, closed, monostable		
Sealing principle	Soft		
Type of actuation	Electric		
Type of reset	Mechanical spring		
Type of piloting	Direct		
Standard nominal flow rate (standardised to DIN 1343)	18 l/min	13.5 l/min	34 l/min
Flow direction	Non-reversible		
lap	Underlap		
Mounting position	optional		
Type of mounting	–		CNOMO

Switching times – width 15 mm

Operating pressure	0 ... 1 MPa								0.15 ... 0.8 MPa							
Operating voltage	110 V AC	110V AC	12V DC		230V AC	24 V AC	24V AC	24V DC	110 V AC	110V AC	12V DC	230V AC	24 V AC	24V AC	24V DC	
Switching time on	6 ms								8 ms				9 ms		8 ms	
Switching time off	6 ms								20 ms		6 ms	35 ms	30 ms		6 ms	
Max. switching frequency	–															

Switching times – width 30 mm

Switching time on	8 ms
Switching time off	8 ms
Max. switching frequency	5 Hz

Technical data – Electrical, width 15 mm, operating pressure 0 ... 1 MPa

Electrical connection	Type C, To DIN EN 175301-803								M12x1, To IEC 61076-2-101	
Operating voltage	110 V AC	110V AC	12V DC	230 V AC	230V AC	24 V AC	24V AC	24V DC		
Permissible voltage fluctuations	-15%/+10%									
Characteristic coil data	110 V AC: 50/60 Hz, pick-up power 2.9 VA, holding power 2.1 VA		12 V DC: 1.8 W	230 V AC: 50/60 Hz, pick-up power 2.9 VA, holding power 2.1 VA		24 V AC: 50/60 Hz, pick-up power 3.1 VA, holding power 2.3 VA		24 V DC: 1.8 W		
Duty cycle	100%									

Datasheet

Technical data – Electrical, width 15 mm, operating pressure 0.15 ... 0.8 MPa

Electrical connection	Plug pattern type C to industry standard, 9.4 mm	M12x1, To IEC 61076-2-101	Type C, To DIN EN 175301-803					
Operating voltage	24V DC	110 V AC	110V AC	12V DC	230V AC	24 V AC	24V AC	24V DC
Permissible voltage fluctuations	+/- 10%							
Characteristic coil data	24 V DC: 1.3 W	110 V AC: 50/60 Hz, pick-up power 2.0 VA, holding power 1.5 VA		12 V DC: 1.3 W	230 V AC: 50/60 Hz, pick-up power 1.9 VA, holding power 1.3 VA	24 V AC: 50/60 Hz, pick-up power 2.1 VA, holding power 1.6 VA		24 V DC: 1.3 W
Duty cycle	100%							

Technical data – Electrics, width 30 mm

Electrical connection	–
Operating voltage	–
Permissible voltage fluctuations	–
Characteristic coil data	–
Duty cycle	100%

Pneumatic connections

Construction width	15 mm	30 mm
pneumatic working port	Sub-base size 15 mm to ISO 15218	Sub-base size 30 mm to ISO 15218
Pneumatic connection, port 1	Sub-base	–
Pneumatic connection, port 2	Sub-base	–
Pneumatic connection, port 3	Sub-base	–

Materials

Material seals	NBR
Note on materials	RoHS-compliant
LABS (PWIS) conformity	VDMA24364-B1/B2-L; VDMA24364-C1-L

Datasheet

Operating and environmental conditions – width 15 mm																
Operating pressure	0 ... 1 MPa								0.15 ... 0.8 MPa							
Operating voltage	110 V AC	110V AC	12V DC		230V AC	24 V AC	24V AC	24V DC	110 V AC	110V AC	12V DC	230V AC	24 V AC	24V AC	24V DC	
Operating medium	Compressed air to ISO 8573-1:2010 [7:4:4]															
Note on operating and pilot medium	Lubricated operation possible (in which case lubricated operation will always be required)															
Operating pressure	0 ... 10 bar								1.5 ... 8 bar							
Operating pressure	0 ... 145 psi	–	0 ... 145 psi						21.75 ... 116 psi							
Ambient temperature	-10 ... 50°C								-5 ... 50°C							
Media temperature	-10 ... 50°C								-5 ... 50°C							
Note on forced dynamization	Switching frequency min. 1/week															
Corrosion resistance class CRC ¹⁾	2 - Moderate corrosion stress															
Vibration resistance	Transport application test with severity level 2 to FN 942017-4 and EN 60068-2-6								Transport application test with severity level 1 to FN 942017-4 and EN 60068-2-6							
Shock resistance	Shock test with severity level 2 to FN 942017-5 and EN 60068-2-27															
Max. positive test pulse with 0 signal	–							1,800 µs	–							
Max. negative test pulse with 1 signal	–							800 µs	–							
CE mark (see declaration of conformity) ²⁾	To EU Low Voltage Directive	–	To EU Low Voltage Directive	–					To EU Low Voltage Directive	–	To EU Low Voltage Directive	–				
CE marking (see declaration of conformity) ³⁾	To UK regulations for electrical equipment	–	To UK regulations for electrical equipment	–					To UK regulations for electrical equipment	–	To UK regulations for electrical equipment	–				
Degree of protection	IP65															
Approval	–							c UL us - Recognized (OL)	–							

1) More information: www.festo.com/x/topic/crc2) More information www.festo.com/catalogue/... Support/Downloads.3) More information www.festo.com/catalogue/... Support/Downloads.

Datasheet

Operating and environmental conditions – width 30 mm

Operating medium	Compressed air to ISO 8573-1:2010 [7:4:4]
Note on operating and pilot medium	Lubricated operation possible (in which case lubricated operation will always be required)
Operating pressure	0.2 ... 1 MPa
Operating pressure	2 ... 10 bar
Operating pressure	29 ... 145 psi
Ambient temperature	-10 ... 50°C
Media temperature	-10 ... 50°C
Note on forced dynamization	Switching frequency min. 1/week
Corrosion resistance class CRC ¹⁾	1 - Low corrosion stress
Vibration resistance	Transport application test with severity level 2 to FN 942017-4 and EN 60068-2-6
Shock resistance	Shock test with severity level 2 to FN 942017-5 and EN 60068-2-27
Max. positive test pulse with 0 signal	3 ms
Max. negative test pulse with 1 signal	3.4 ms
CE mark (see declaration of conformity) ²⁾	–
CE marking (see declaration of conformity) ³⁾	–
Degree of protection	IP65
Approval	–

1) More information: www.festo.com/x/topic/crc

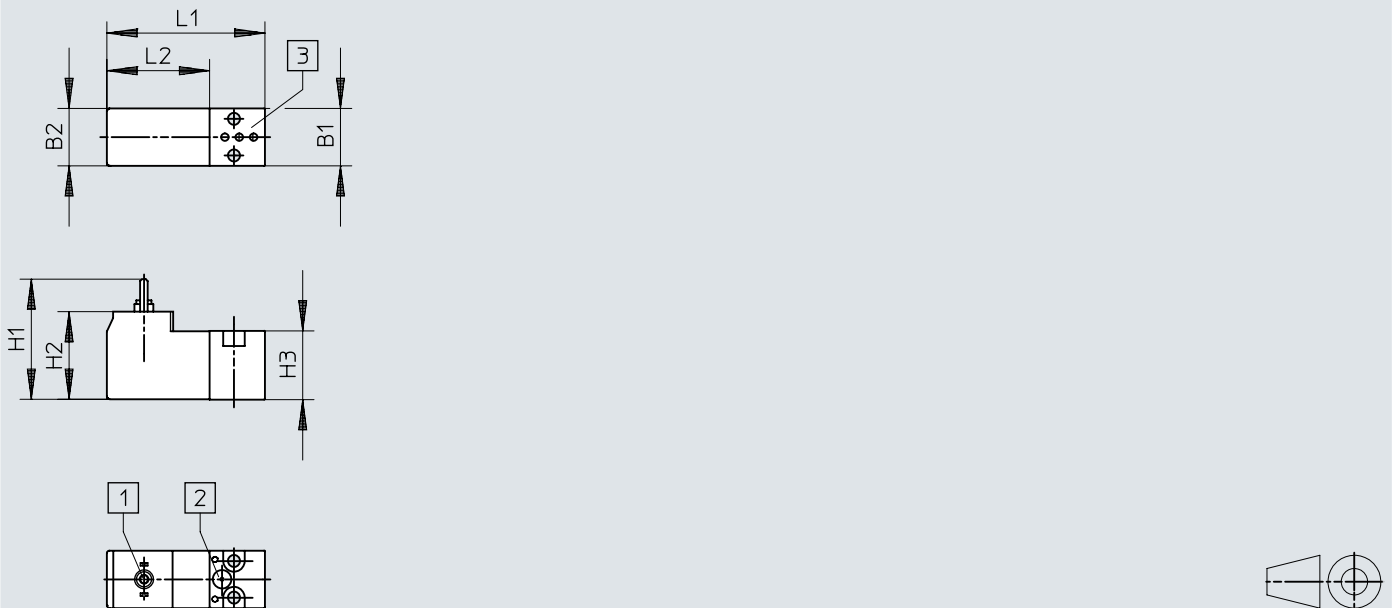
2) More information www.festo.com/catalogue/... Support/Downloads.

3) More information www.festo.com/catalogue/... Support/Downloads.

Dimensions

Dimensions – Standards-based valve VSCS-B-M32-...C1, operating voltage
12 V DC, 24 V DC and 24 V AC

Download CAD data → www.festo.com



[1] Plug type C to DIN EN 175301-803

[2] Manual override

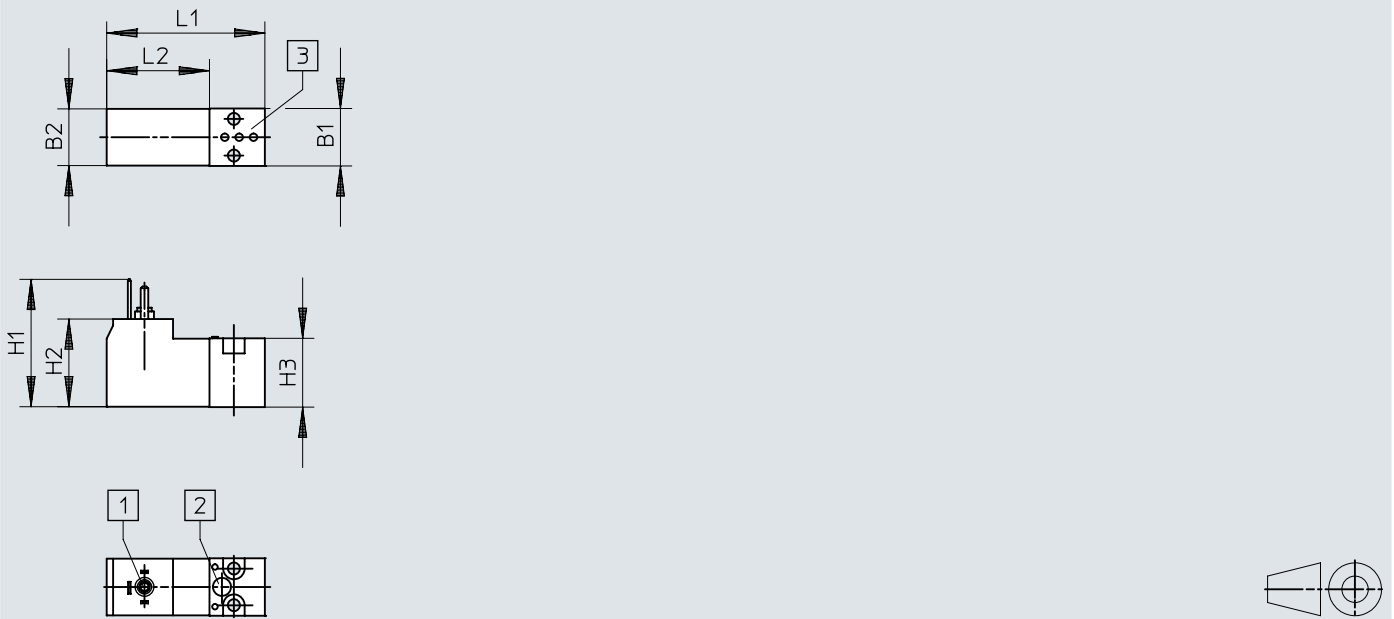
[3] Pneumatic port pattern according to ISO 15218

	B1	B2	H1	H2	H3	L1	L2
VSCS-...-5C1							
VSCS-...-1C1	15,2	15	31,8	23,2	18,2	41,9	27,2
VSCS-...-1AC1							

Dimensions

Dimensions – Standards-based valve VSCS-B-M32-...C1, operating voltage 110 V AC and 230 V AC

Download CAD data → www.festo.com

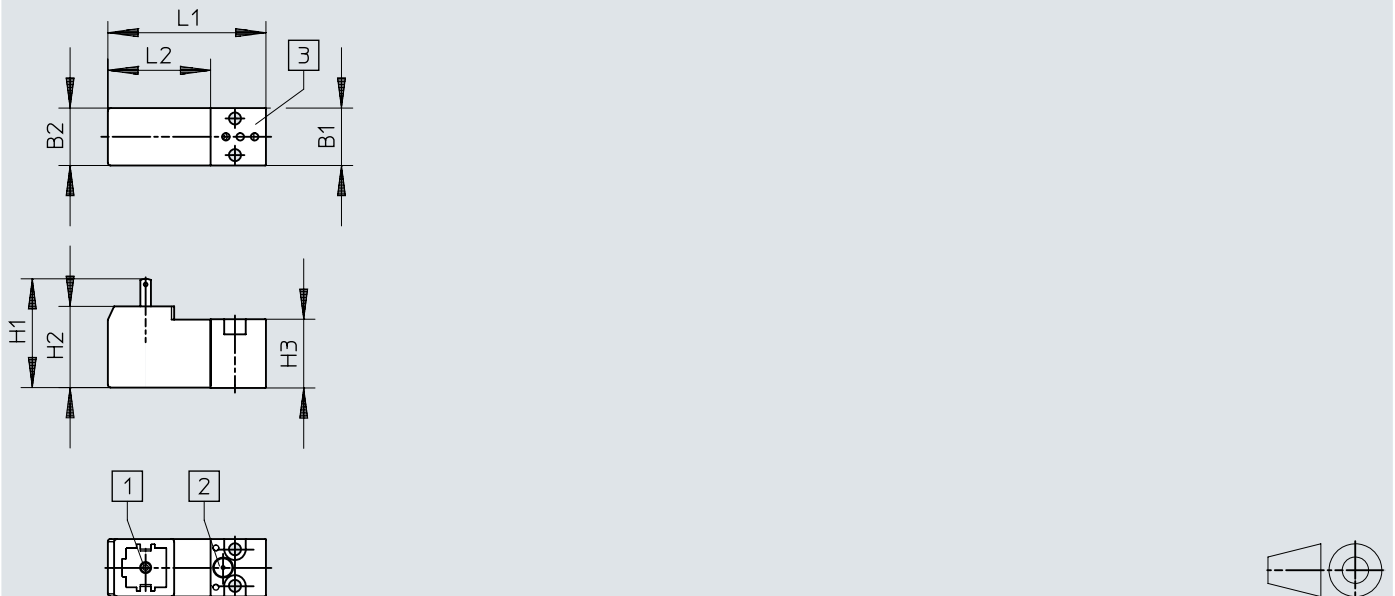


- [1] Plug type C to DIN EN 175301-803
- [2] Manual override
- [3] Pneumatic port pattern according to ISO 15218

	B1	B2	H1	H2	H3	L1	L2
VSCS-...-2AC1	15,2	15	33,7	23,2	18,2	41,9	27,2
VSCS-...-3AC1	15,2	15	33,7	23,2	18,2	41,9	27,2

Dimensions

Dimensions – Standard valve VSCS-B-M32-...E1

Download CAD data → www.festo.com

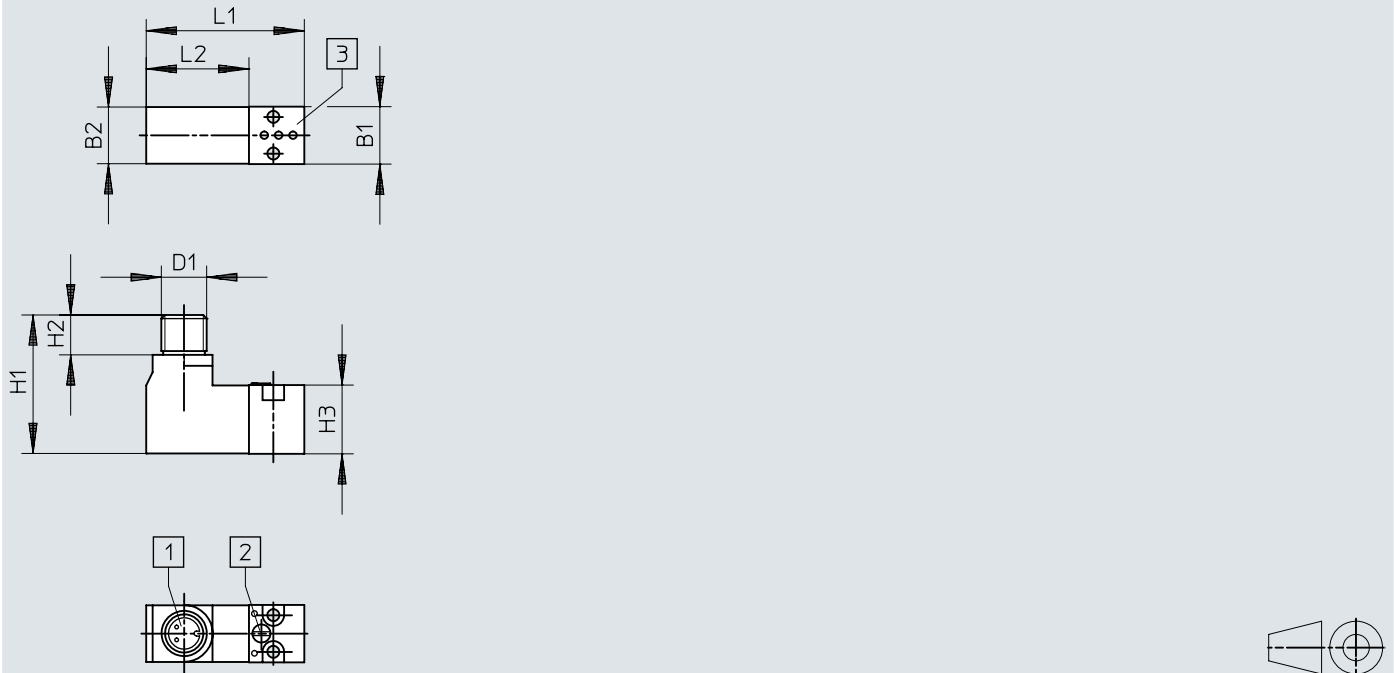
- [1] Plug type C to industry standard 9.4 mm
- [2] Manual override
- [3] Pneumatic port pattern according to ISO 15218

	B1	B2	H1	H2	H3	L1	L2
VSCS-...1E1	15,2	15,2	28,8	21,5	18,2	41,9	27,2

Dimensions

Dimensions – Standard valve VSCS-B-M32 ... 1R3 with round plug

Download CAD data → www.festo.com



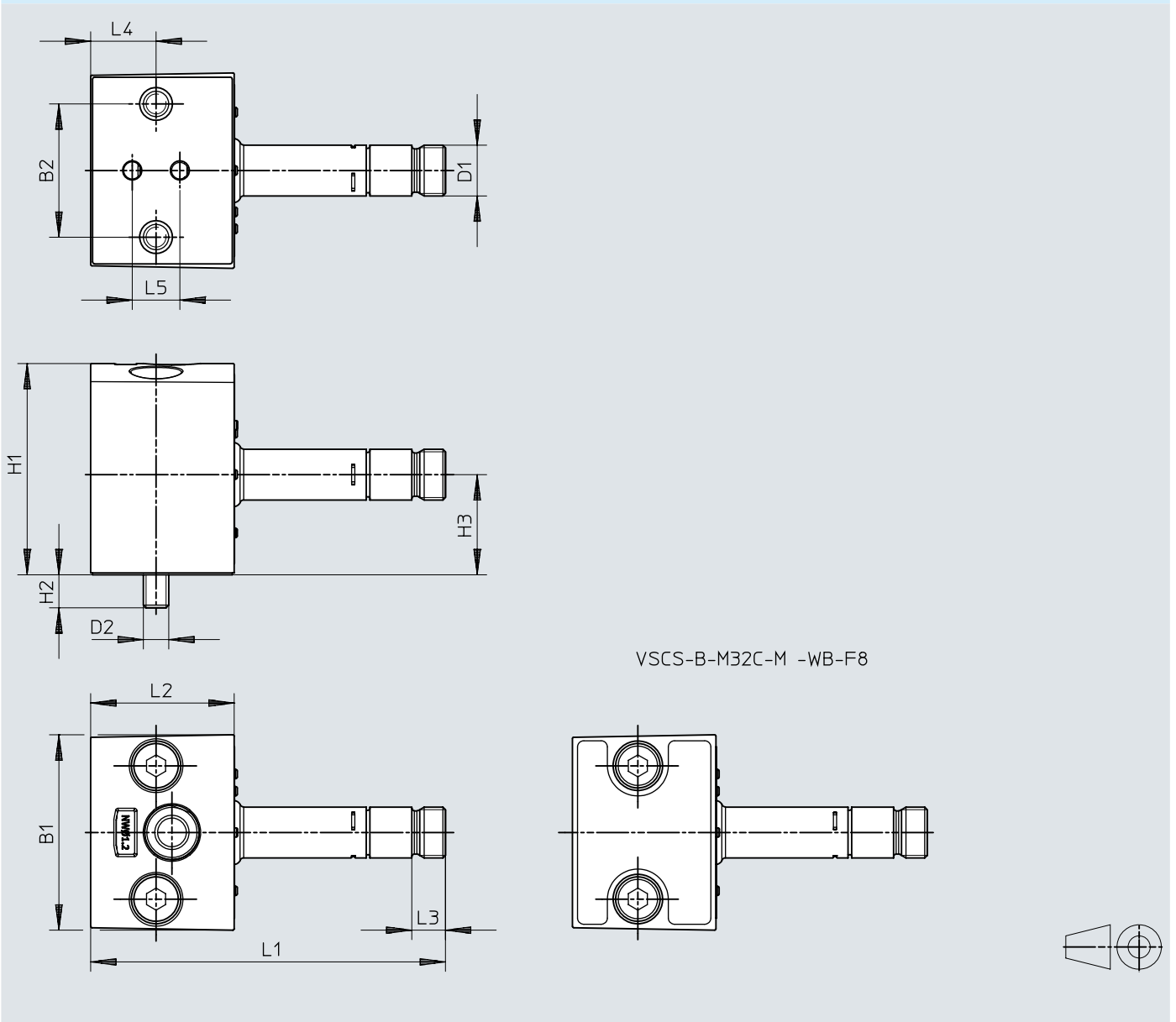
- [1] Plug M12x1 to IEC 61076-2-101
- [2] Manual override
- [3] Pneumatic port pattern according to ISO 15218

	B1	B2	D1	H1	H2	H3	L1	L2
VSCS-...1R3	15,2	15	M12	36,7	10,6	18,2	41,9	27,2

Dimensions

Dimensions – Standard valve VSCS-B-M32 ... WB-F8, without solenoid coil, width 30 mm

Download CAD data → www.festo.com



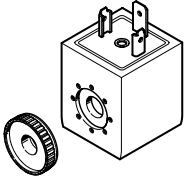
	B1	B2	D1	D2	H1	H2	H3	L1	L2	L3	L4	L5
VSCS-...MH-WB-F8	30,8	21	M8x0,75	M4	33,3	5,2	15,8	55,8	22,6	5,3	10,3	7,5
VSCS-...MD-WB-F8					33,3							
VSCS-...MT-WB-F8					34,3							
VSCS-...M-WB-F8					34,2							


Ordering data

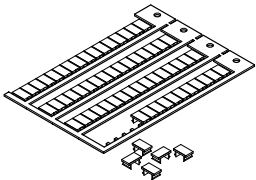
Ordering data – Width 15 mm							
Electrical connection	Operating pressure	Operating voltage	Manual override	LABS (PWIS) conformity	Part no.	Type	
Type C, To DIN EN 175301-803	0 ... 1 MPa	110 V AC	Detenting, Non-detenting	VDMA24364-C1-L	571064	VSCS-B-M32-MD-WA-2AC1	
		110V AC	Non-detenting	VDMA24364-B1/B2-L	546259	VSCS-B-M32-MH-WA-2AC1	
		12V DC	Detenting, Non-detenting	VDMA24364-C1-L	571062	VSCS-B-M32-MD-WA-5C1	
			Non-detenting		546257	VSCS-B-M32-MH-WA-5C1	
		230 V AC	Detenting, Non-detenting		571065	VSCS-B-M32-MD-WA-3AC1	
		230V AC	Non-detenting		546260	VSCS-B-M32-MH-WA-3AC1	
		24V AC	Detenting, Non-detenting		571063	VSCS-B-M32-MD-WA-1AC1	
		24 V AC	Non-detenting		546258	VSCS-B-M32-MH-WA-1AC1	
		24V DC	Detenting, Non-detenting		571061	VSCS-B-M32-MD-WA-1C1	
			Non-detenting		546256	VSCS-B-M32-MH-WA-1C1	
		0.15 ... 0.8 MPa	110 V AC	Detenting, Non-detenting		8040573	VSCS-B-M32-MD-WA-2AC1-8
				Non-detenting		8040567	VSCS-B-M32-MH-WA-2AC1-8
			12V DC	Detenting, Non-detenting		8040571	VSCS-B-M32-MD-WA-5C1-8
				Non-detenting		8040565	VSCS-B-M32-MH-WA-5C1-8
	230V AC		Detenting, Non-detenting		8040574	VSCS-B-M32-MD-WA-3AC1-8	
			Non-detenting		8040568	VSCS-B-M32-MH-WA-3AC1-8	
	24 V AC		Detenting, Non-detenting		8040572	VSCS-B-M32-MD-WA-1AC1-8	
			Non-detenting		8040566	VSCS-B-M32-MH-WA-1AC1-8	
	24V DC		Detenting, Non-detenting		8040570	VSCS-B-M32-MD-WA-1C1-8	
			Non-detenting		8040564	VSCS-B-M32-MH-WA-1C1-8	
	Plug pattern type C to industry standard, 9.4 mm			Detenting, Non-detenting		8137328	VSCS-B-M32-MD-WA-1E1-8
				Non-detenting		8137327	VSCS-B-M32-MH-WA-1E1-8
	M12x1, To IEC 61076-2-101		0 ... 1 MPa	Detenting, Non-detenting		573215	VSCS-B-M32-MD-WA-1R3
				Non-detenting		573214	VSCS-B-M32-MH-WA-1R3
		0.15 ... 0.8 MPa	Detenting, Non-detenting		8040575	VSCS-B-M32-MD-WA-1R3-8	
			Non-detenting		8040569	VSCS-B-M32-MH-WA-1R3-8	

Ordering data – Width 30 mm					
Operating pressure	Manual override	LABS (PWIS) conformity	Part no.	Type	
0.2 ... 1 MPa	Detenting, Non-detenting	VDMA24364-B1/B2-L	8028540	VSCS-B-M32C-MD-WB-F8	
	Detenting via accessory, Non-detenting		8028541	VSCS-B-M32C-MT-WB-F8	
	Non-detenting		8028539	VSCS-B-M32C-MH-WB-F8	
	Covered		8028542	VSCS-B-M32C-M-WB-F8	


Accessories

Accessories – Solenoid coils for width 30 mm				
	Electrical connection	Characteristic coil data	Part no.	Type
	Type A, To EN 175301-803	110/120 V AC: 50/60 Hz, pick-up power 2.7 VA, holding power 1.9 VA	8030826	VACF-A-A1-16B
		12 V DC: 2.8 W	8030821	VACF-A-A1-5
		230/240 V AC: 50/60 Hz, pick-up power 3.9 VA, holding power 2.8 VA	8030828	VACF-A-A1-3W
		24 V AC: 50/60 Hz, pick-up power 2.5 VA, holding power 1.7 VA	8030824	VACF-A-A1-1A
		24 V DC: 2.6 W	★ 8030822	VACF-A-A1-1
		48 V AC: 50/60 Hz, pick-up power 2.5 VA, holding power 1.7 VA	8030825	VACF-A-A1-7A
		48 V DC: 2.8 W	8030823	VACF-A-A1-7
		Type B, To industry standard (11 mm)	110/120 V AC: 50/60 Hz, pick-up power 4.4 VA, holding power 3.3 VA	8030806
	12 V DC: 3.4 W		8030801	VACF-B-B2-5
	230/240 V AC: 50/60 Hz, pick-up power 5.8 VA, holding power 4.6 VA		8030808	VACF-B-B2-3W
	24 V DC: 3.3 W		8030802	VACF-B-B2-1
	24 V AC: 50/60 Hz, pick-up power 3.9 VA, holding power 2.6 VA		8030804	VACF-B-B2-1A
	48 V AC: 50/60 Hz, pick-up power 3.9 VA, holding power 2.7 VA		8030805	VACF-B-B2-7A
	48 V DC: 3.4 W		8030803	VACF-B-B2-7
	Type C, To EN 175301-803		110/120 V AC: 50/60 Hz, pick-up power 4.4 VA, holding power 3.3 VA	8030815
		12 V DC: 3.4 W	8030810	VACF-B-C1-5
		230/240 V AC: 50/60 Hz, pick-up power 5.8 VA, holding power 4.6 VA	8030817	VACF-B-C1-3W
		24 V DC: 3.3 W	8030811	VACF-B-C1-1
		24 V AC: 50/60 Hz, pick-up power 3.9 VA, holding power 2.6 VA	8030813	VACF-B-C1-1A
		48 V AC: 50/60 Hz, pick-up power 3.9 VA, holding power 2.7 VA	8030814	VACF-B-C1-7A
		48 V DC: 3.4 W	8030812	VACF-B-C1-7

Accessories – Label holder for width 30 mm				
	Short type code	Size of pack	Part no.	Type
	VMPAL	10	561109	VMPAL-ST-AP-10

Accessories – Inscription label for installation width 30 mm				
	Short type code	Size	Part no.	Type
	IBS	10x6 mm	18576	IBS-6X10

Accessories

Accessories – Actuation attachment for manual override for width 30 mm				
	Short type code	Type of mounting	Part no.	Type
	AHB	Snapping in	157651	AHB-MD/MF/MV