

10129305- AA B C D E G FF

AA	NO. OF POSITIONS	B (NOTE 7)		
		2	B	4
06	2X30	YES	YES	YES
08	2X40	YES	NA	YES
10	2X50	NA	NA	YES
12	2X60	NA	NA	YES

B	FOR PLUG, SEE DWG. NO. 10129304	
COMBINATION OF MATED HEIGHT	Plug 2 	Plug 4 
Recep 2 	NA	
Recep B(2.5) 		
Recep 4 		NA

SEE NOTE 6

G	DATE CODE
/	NOT PRINT DATE CODE
P	PRINT DATE CODE

E	PACKAGING
0	TUBE WITHOUT METAL CAP
2	TRAY WITHOUT CAP
9	TUBE WITH METAL CAP
6	T&R WITHOUT METAL CAP (WITH KAPTON TAPE)

D	PLASTIC PEG	FEATURE
0	YES	

C	PLATING: CONTACT AREA/SOLDER AREA	FF
4	GOLD 0.2um MIN / PURE TIN 2um MIN (LEAD FREE) NICKEL UNDERPLATE OVERALL 1.27um MIN	LF
5	GOLD 0.38um MIN / PURE TIN 2um MIN (LEAD FREE) NICKEL UNDERPLATE OVERALL 1.27um MIN	LF
6	GOLD FLASH (0.1um MIN) OVER PALLADIUM-NICKEL 0.76um MIN / PURE TIN 2um MIN (LEAD FREE) NICKEL UNDERPLATE OVERALL 1.27um MIN	LF

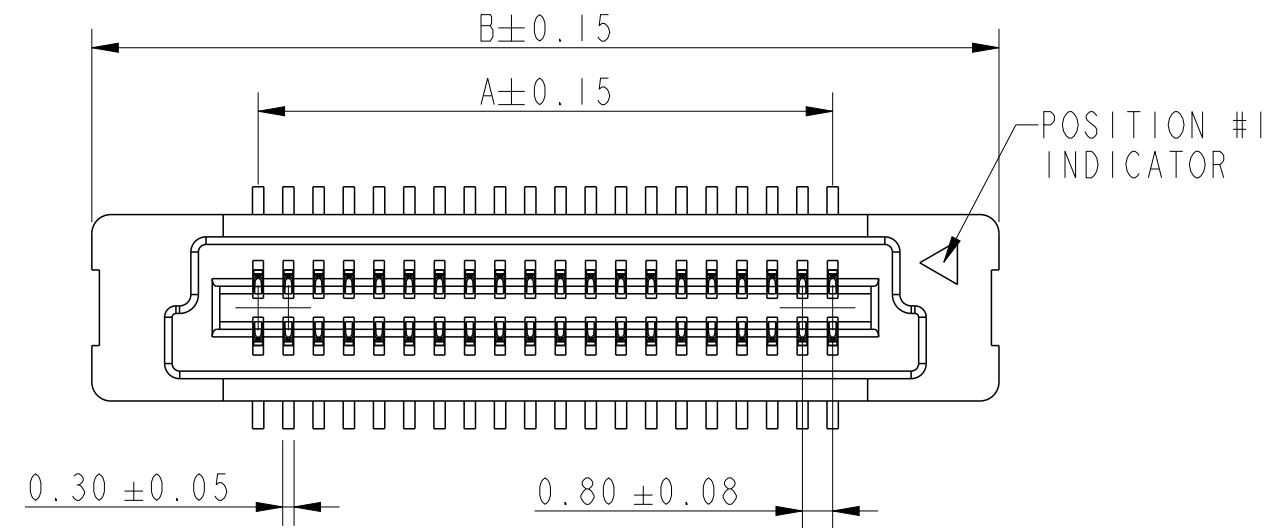
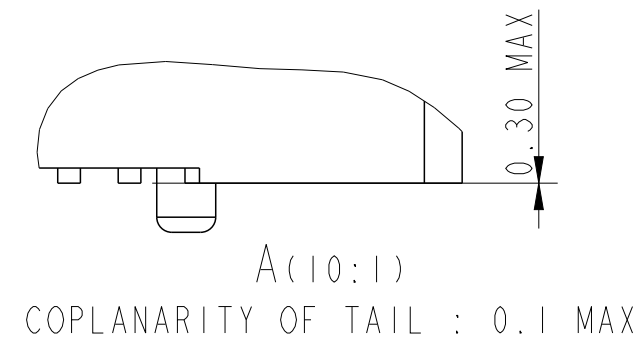
- NOTE:
- MATERIAL:  
HOUSING: HIGH TEMPERATURE THERMOPLASTIC, NATURAL, UL94 V-0  
TERMINAL: COPPER ALLOY
  - PLATING: AS SHOWN IN TABLE.
  - SEE GS-12-1229 FOR PRODUCT SPEC.
  - THIS PRODUCT MEETS THE EUROPEAN UNION DIRECTIVES AND OTHER COUNTRY REGULATIONS AS DESCRIBED IN GS-22-008.
  - THE HOUSING WILL WITHSTAND EXPOSURE UP TO 260~ PEAK TEMPERATURE FOR 30 SECONDS IN A CONVECTION, INFRA-RED OR VAPOR PHASE REFLOW OVEN.
  - THE P/N 10129305-\*\*\*\*\*LF DOES NOT PRINT DATE CODE.  
THE P/N 10129305-\*\*\*\*\*PLF NEED PRINT DATE CODE.
  - REMARK "YES" MEANS TOOLING CAN SUPPORT THIS TYPE.  
REMARK "NA" MEANS NO TOOLING CAN SUPPORT THIS TYPE.

Amphenol FCI

© 2016 AFCI

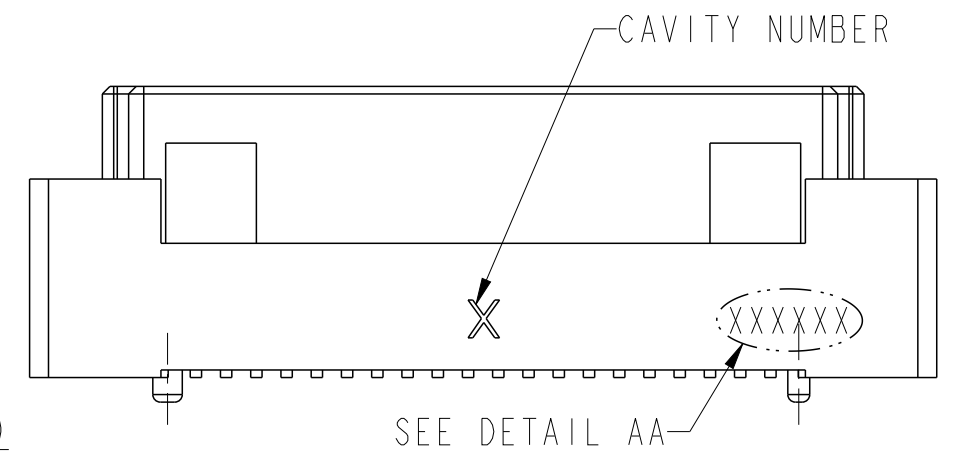
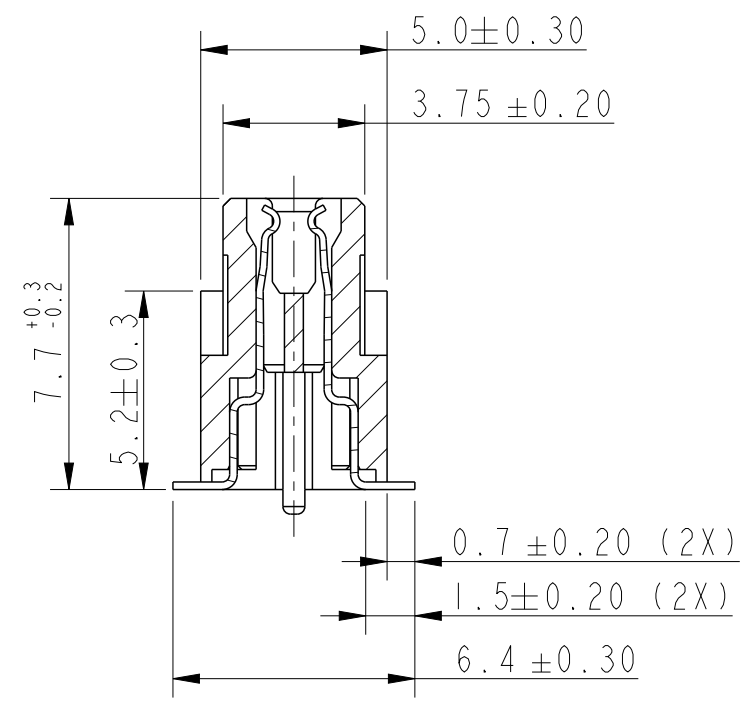
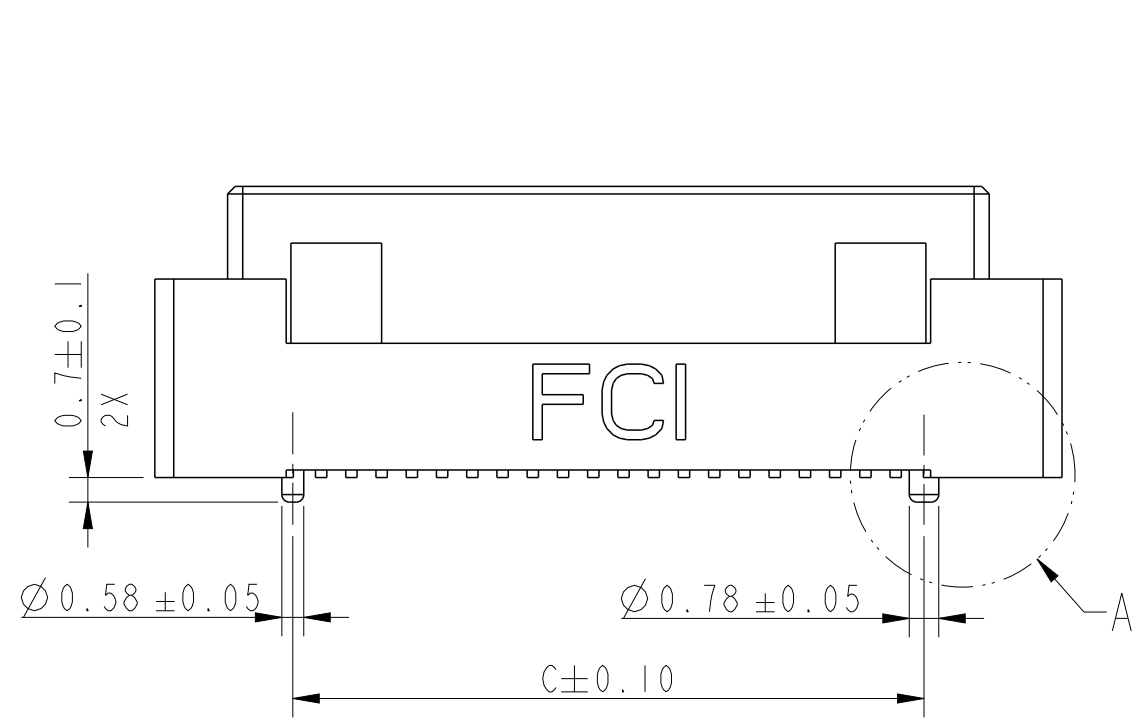
spec ref	dr	Guo-Min Sun	2014/07/29	projection	mm	size	A3	scale	3:1		
tolerance std	eng	Bob Gu	2019/05/02		← →	ecn no		ELX-N-32503-1			
TOLERANCES UNLESS OTHERWISE SPECIFIED	chr	-	-			rel level		Released		rev	C
	appr	Tim Yao	2019/05/03			product family		-			
surface	linear	0.X	±0.20	Amphenol FCI		title		BERGSTAK 0.8mm BTB			
		0.XX	±0.15	www.fci.com		dwg no		10129305			
		0.XXX	±0.10	cat. no.		-		Product - Customer Drw			
	angular	0°	±3°	sheet 1 of 5							

PRODUCT NO.	NO. OF POSITIONS	DIMENSION			PACKAGING INFORMATION(SHEET 5)		
		A	B	C	CARRIER TAPE WIDTH / PITCH	REEL WIDTH (DIM W)	Q'TY FOR ONE REEL / CARTON
10129305-062XXX	2X30	23.2	32.0	24.7	44.0/16.0	50.4	400
10129305-082XXX	2X40	31.2	40.0	32.7	56.0/16.0	62.4	400
10129305-102XXX	2X50	39.2	48.0	40.7	72.0/16.0	78.4	400
10129305-122XXX	2X60	47.2	56.0	48.7	72.0/16.0	78.4	400



DATE CODE: XX XX XX  
 DAY(01~31)  
 MONTH(01~12)  
 YEAR(00~99)

DETAIL AA



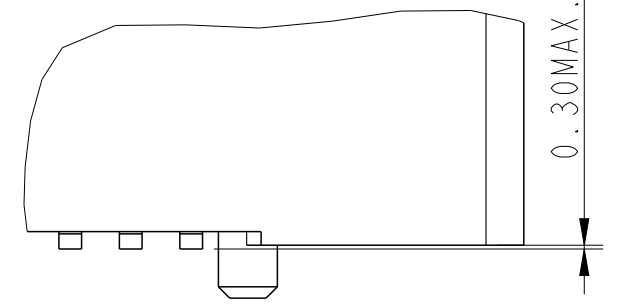
RECEPTACLE 2

spec ref	dr	Guo-Min Sun	2014/07/29	projection	mm	size	A3	scale	5:1
tolerance std	eng	Bob Gu	2019/05/02			ecn no	ELX-N-32503-1	rel level	Released
TOLERANCES UNLESS OTHERWISE SPECIFIED									
surface		linear	0.X	±0.20	<b>Amphenol FCI</b> BERGSTAK 0.8mm BTB RECEPTACLE ASSY www.fci.com	dwg no	10129305	rev	C
			0.XX	±0.15					
			0.XXX	±0.10					
	angular	0°	±3°	cat. no.	-	Product - Customer Drw	sheet 2 of 5		

Amphenol FCI

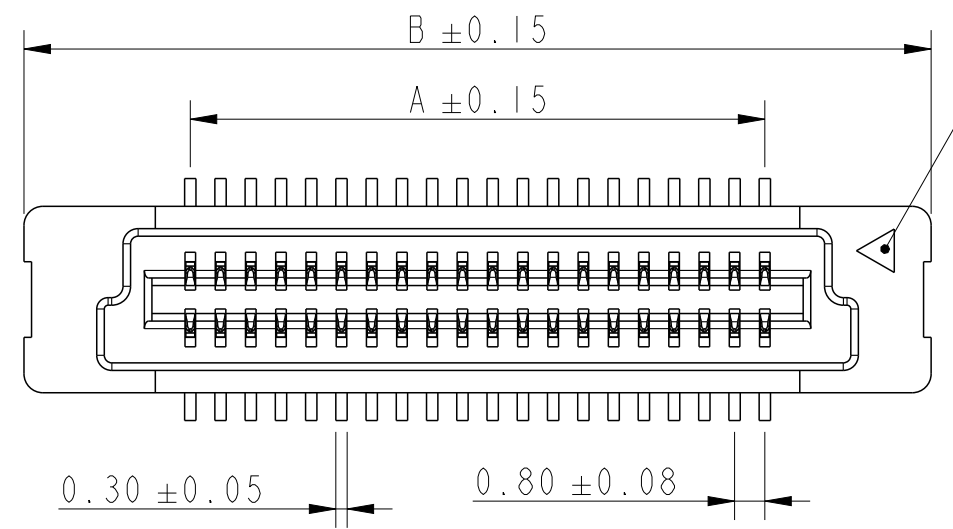
© 2016 AFCI

PRODUCT NO.	NO. OF POSITIONS	DIMENSION			PACKAGING INFORMATION(SHEET 5)		
		A	B	C	CARRIER TAPE WIDTH / PITCH	REEL WIDTH (DIM W)	Q'TY FOR ONE REEL / CARTON
10129305-06BXXX	2X30	23.2	32.0	24.7	44.0/16.0	50.4	400



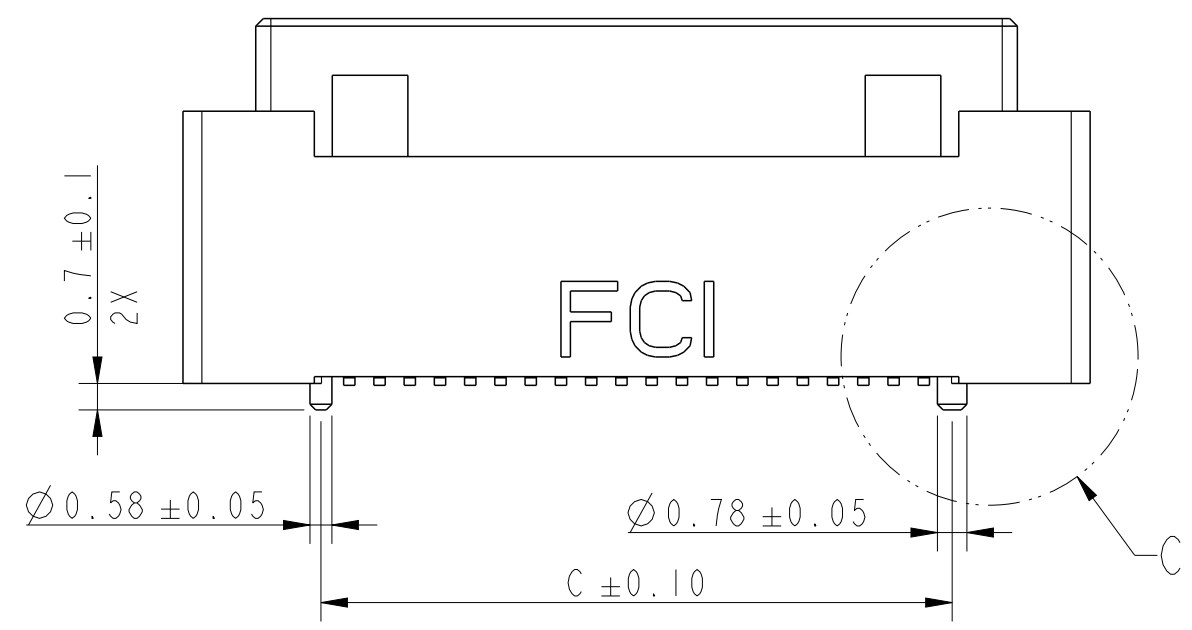
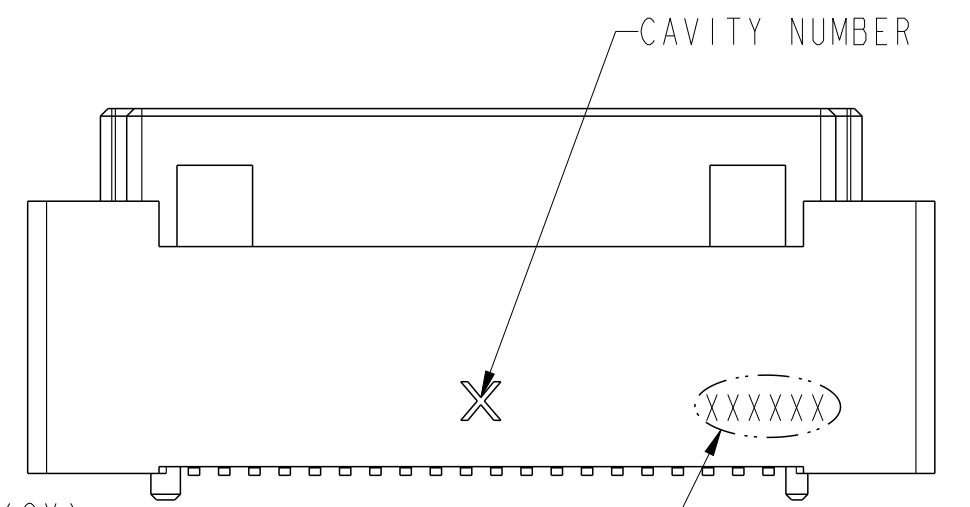
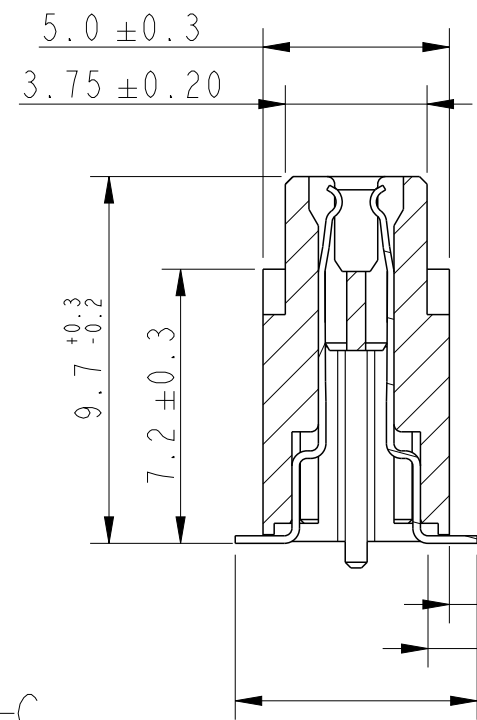
COPLANARITY OF TAIL : 0.1 MAX

C(10:1)



DATE CODE: XX XX XX  
 DAY(01~31)  
 MONTH(01~12)  
 YEAR(00~99)

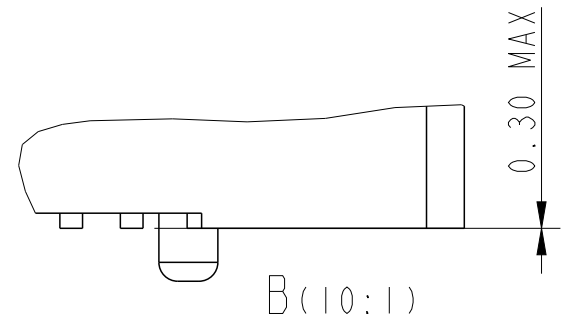
DETAIL CC



RECEPTACLE B(2.5)

spec ref	dr	Guo-Min Sun	2014/07/29	projection	mm	size	A3	scale	5:1
tolerance std	eng	Bob Gu	2019/05/02			ecn no	ELX-N-32503-1		
TOLERANCES UNLESS OTHERWISE SPECIFIED surface	chr	-	-			rel level	Released		
	appr	Tim Yao	2019/05/03	product family	-				
	linear	0.X	±0.20	Amphenol FCI		BERGSTAK 0.8mm BTB	dwg no	10129305	
angular	0°	±3°	www.fci.com	cat. no.	-	Product - Customer Drw	rev	C	

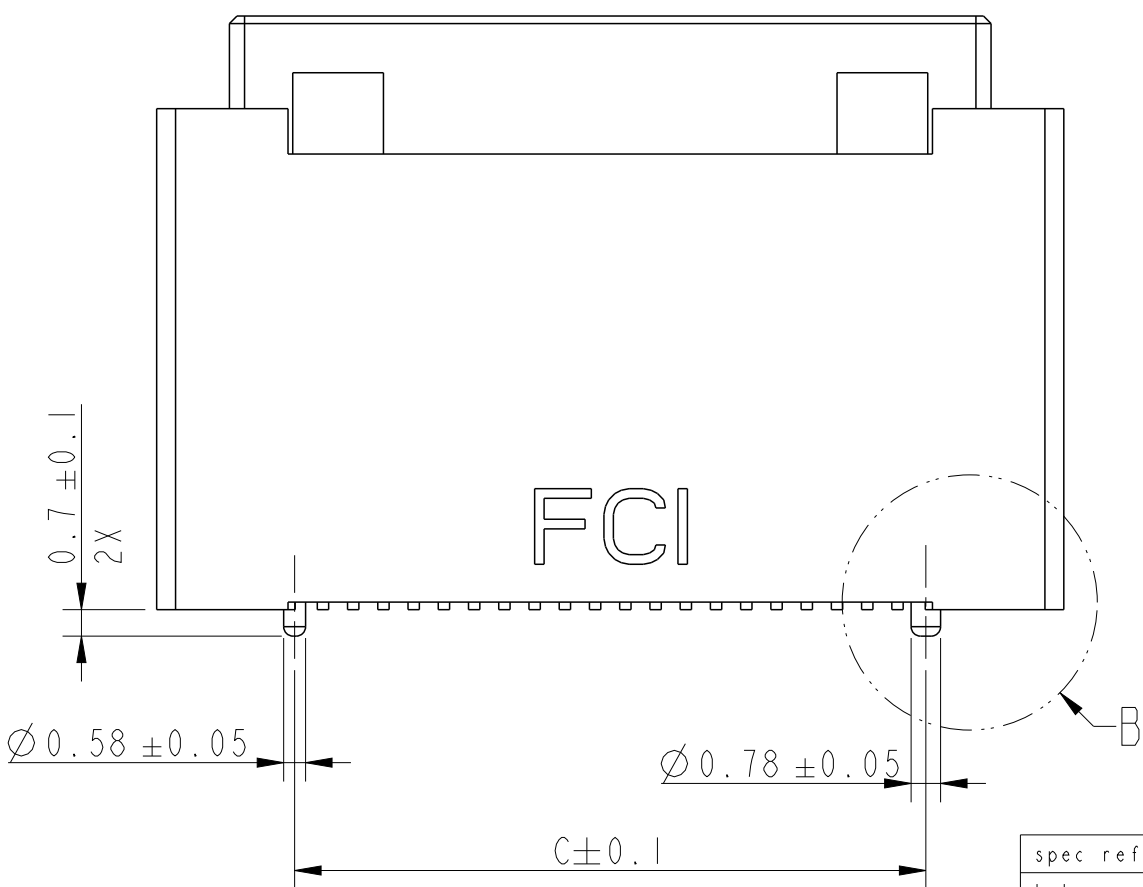
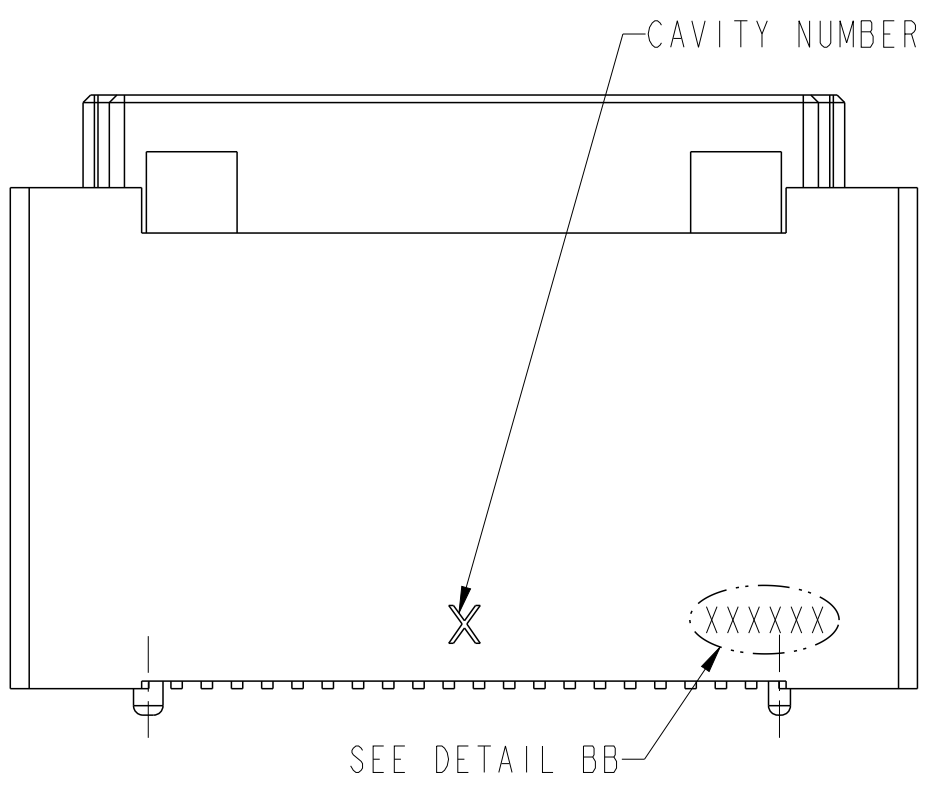
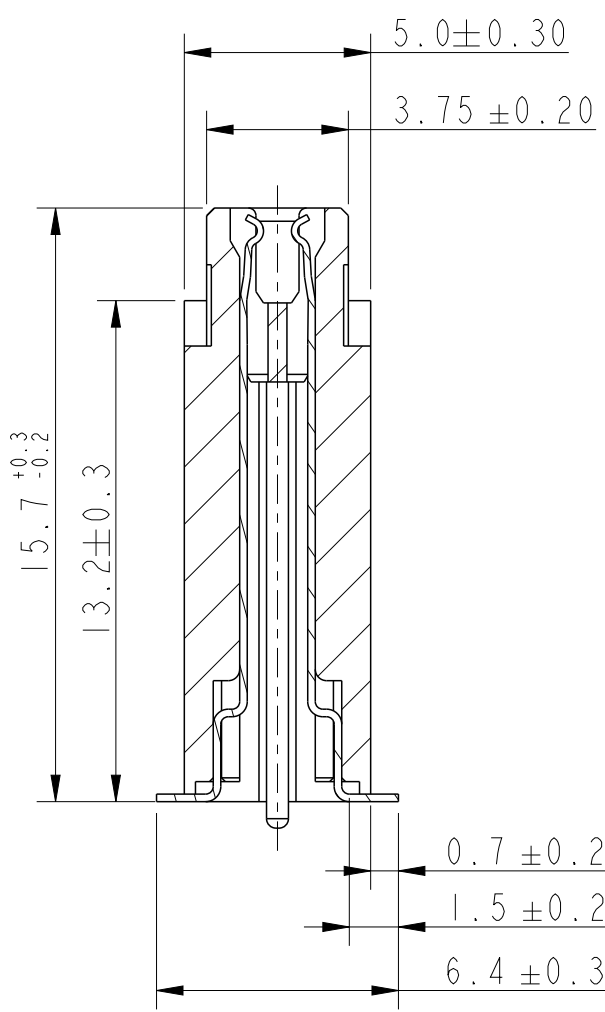
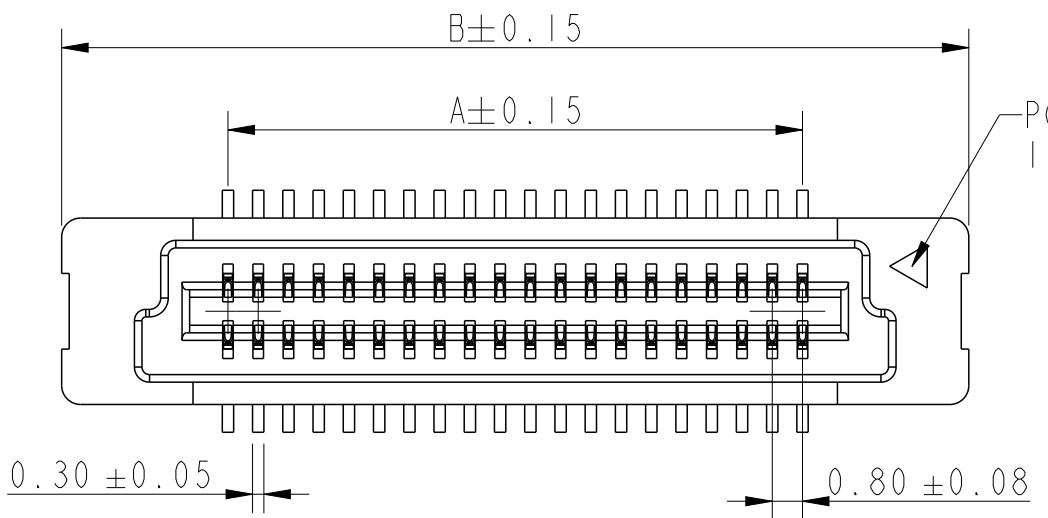
PRODUCT NO.	NO. OF POSITIONS	DIMENSION			PACKAGING INFORMATION(SHEET 5)		
		A	B	C	CARRIER TAPE WIDTH / PITCH	REEL WIDTH (DIM W)	Q'TY FOR ONE REEL / CARTON
10129305-064XXX	2X30	23.2	32.0	24.7	44.0/16.0	50.4	200
10129305-084XXX	2X40	31.2	40.0	32.7	56.0/16.0	62.4	200
10129305-104XXX	2X50	39.2	48.0	40.7	72.0/16.0	78.4	200
10129305-124XXX	2X60	47.2	56.0	48.7	72.0/16.0	78.4	200



DATE CODE: XX XX XX  
 DAY(01~31)  
 MONTH(01~12)  
 YEAR(00~99)

COLANARITY OF TAIL : 0.1 MAX

DETAIL BB

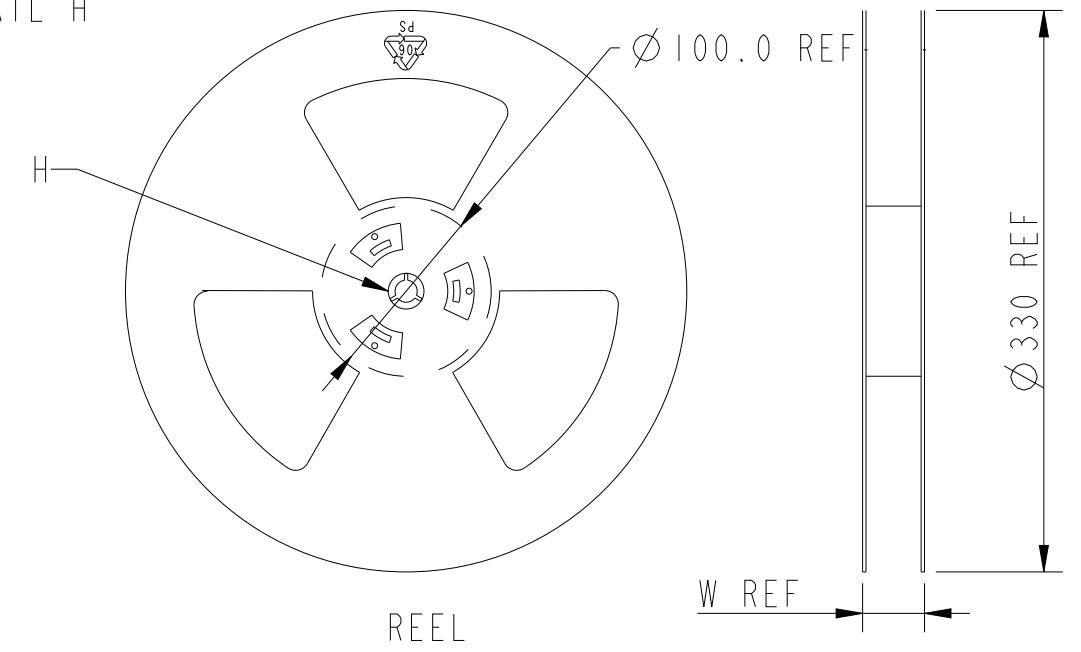
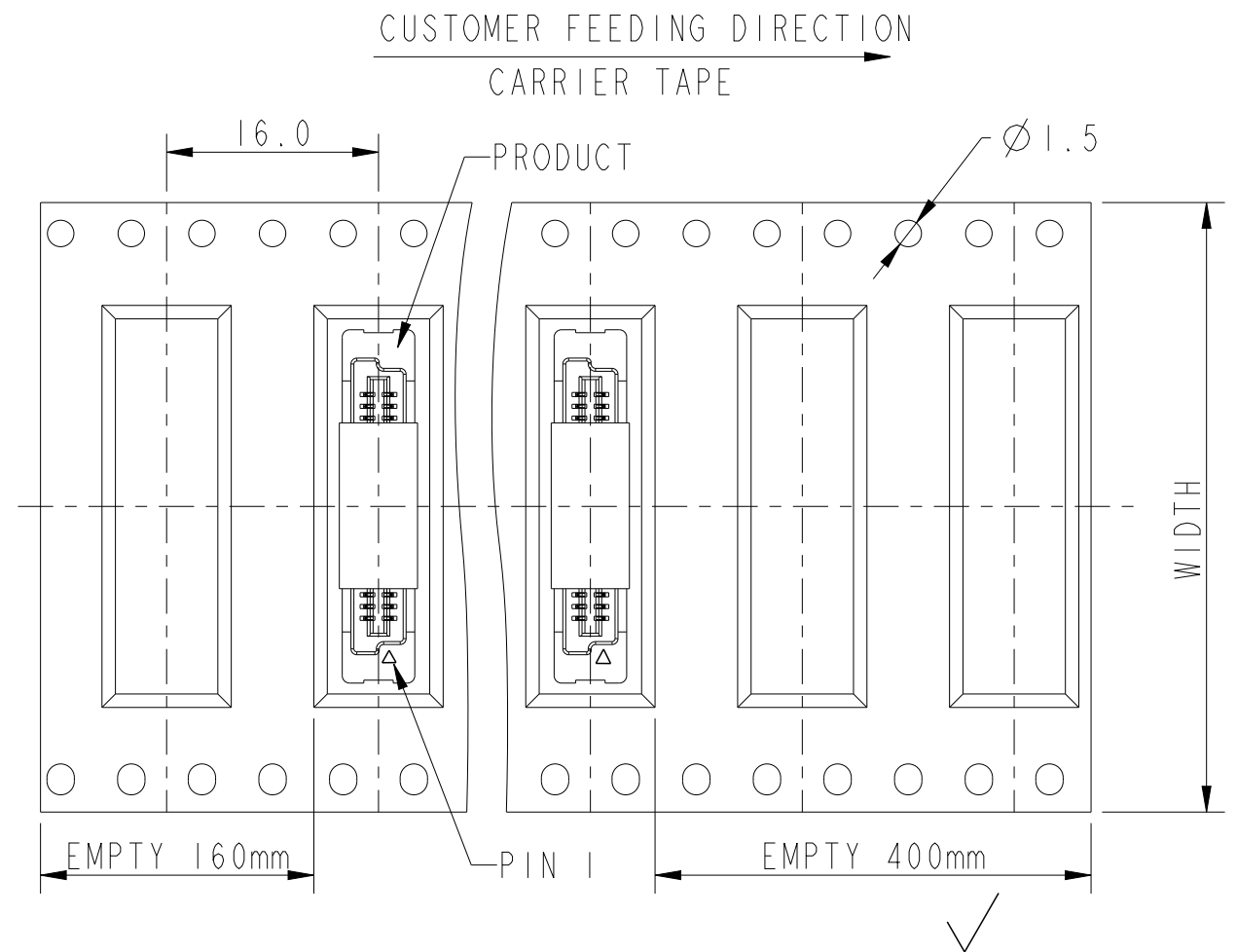
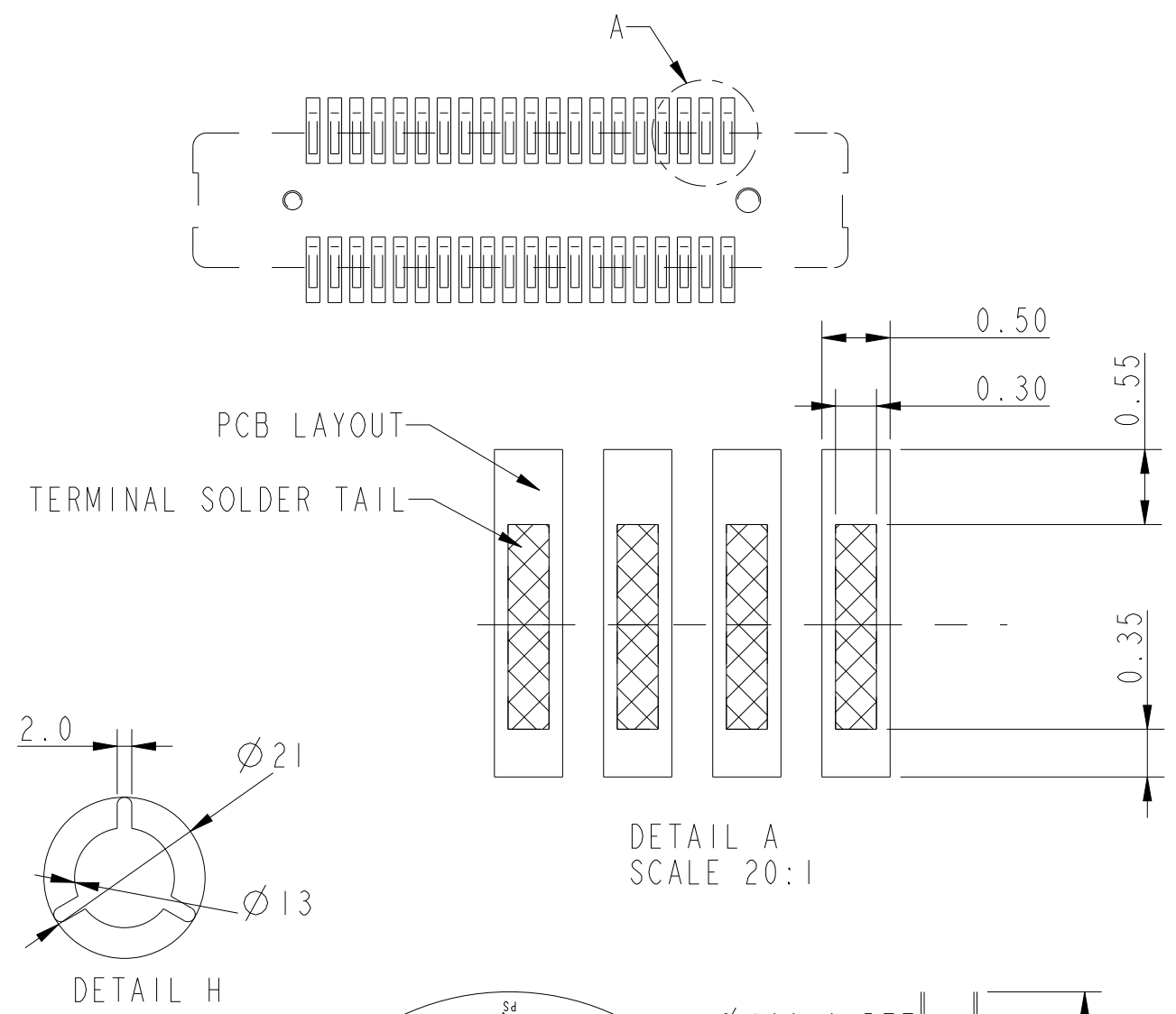
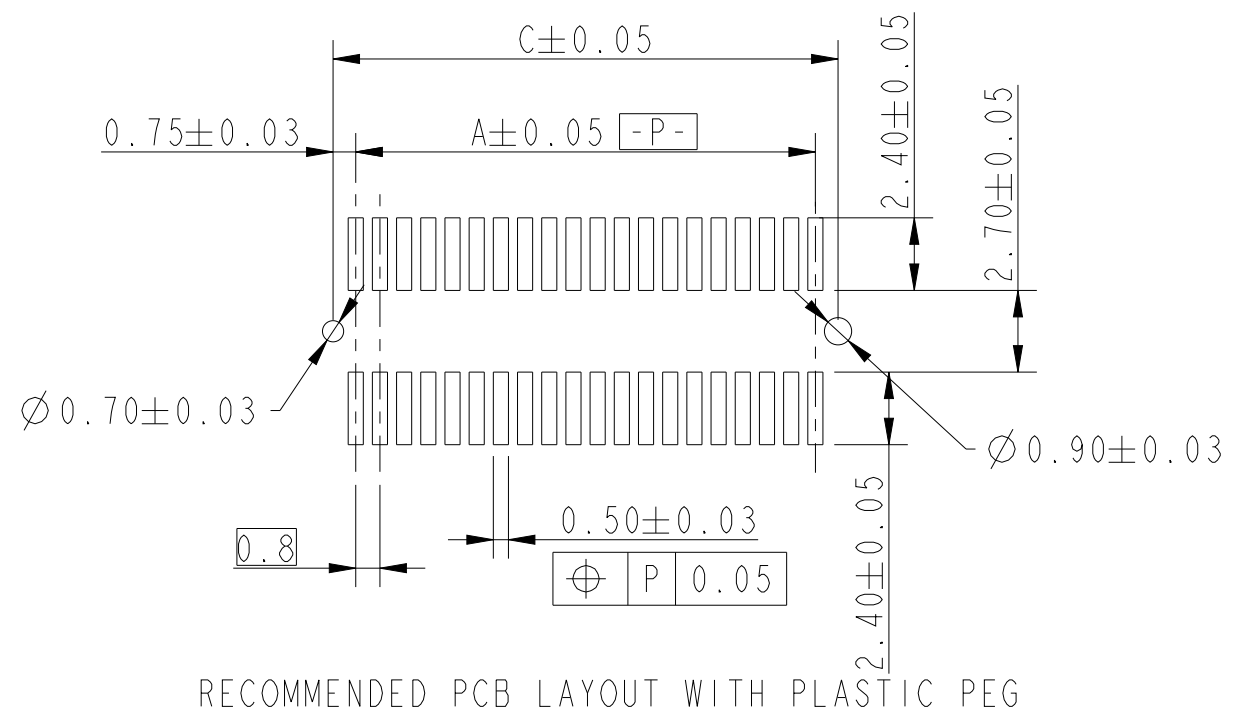


spec ref	dr	Guo-Min Sun	2014/07/29	projection	mm	size	A3	scale	5:1	
tolerance std	eng	Bob Gu	2019/05/02		mm	ecn no	ELX-N-32503-1			
TOLERANCES UNLESS OTHERWISE SPECIFIED surface  linear	chr	-	-			product family	-	rel level	Released	
	appr	Tim Yao	2019/05/03	BERGSTAK 0.8mm BTB		dwg no	10129305		rev	C
	angular	0°	±3°	www.fci.com	cat. no.	-	Product - Customer Drw	sheet 4 of 5		

Amphenol FCI

© 2016 AFCI

APPLY TO RECEPTACLE 2 & B & 4



dr	Guo-Min Sun	2014/07/29	projection	mm	size	A3	scale	2:1	
eng	Bob Gu	2019/05/02		← →	ecn no	ELX-N-32503-1			
chr	-	-			rel level	Released			
appr	Tim Yao	2019/05/03	product family	-	rel level	Released			
<b>Amphenol FCI</b>		title BERGSTAK 0.8mm BTB RECEPTACLE ASSY			dwg no 10129305	rev C			
www.fci.com		cat. no.	-		Product - Customer Drw		sheet 5 of 5		

Amphenol FCI

© 2016 AFCI