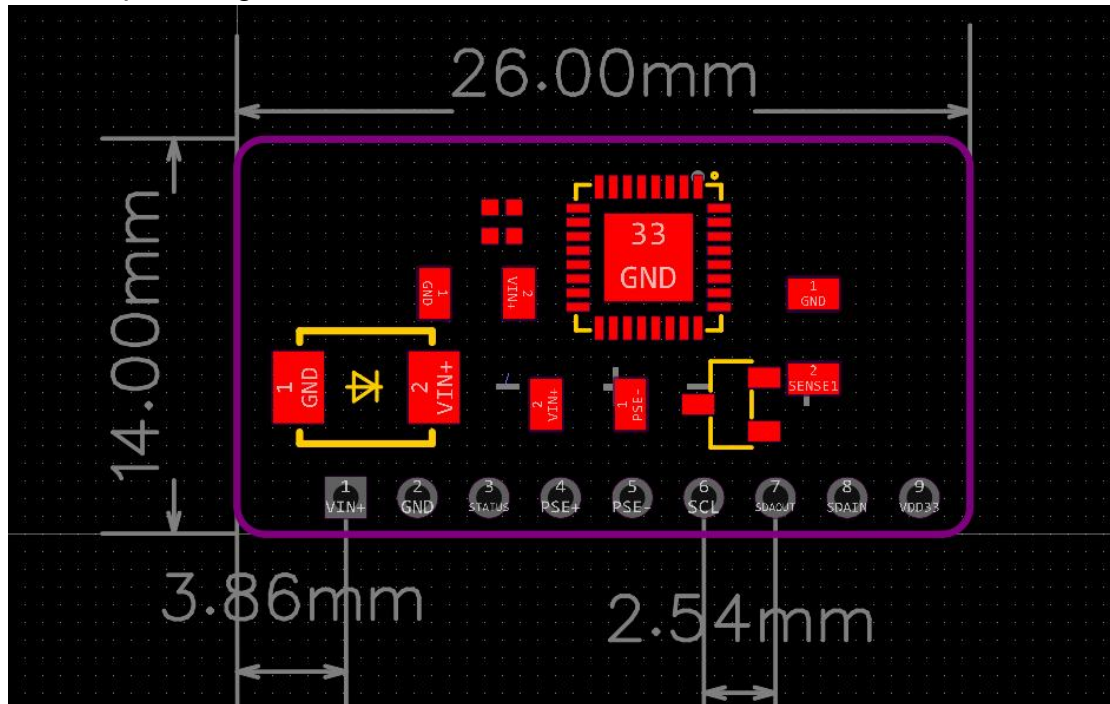


1. Features

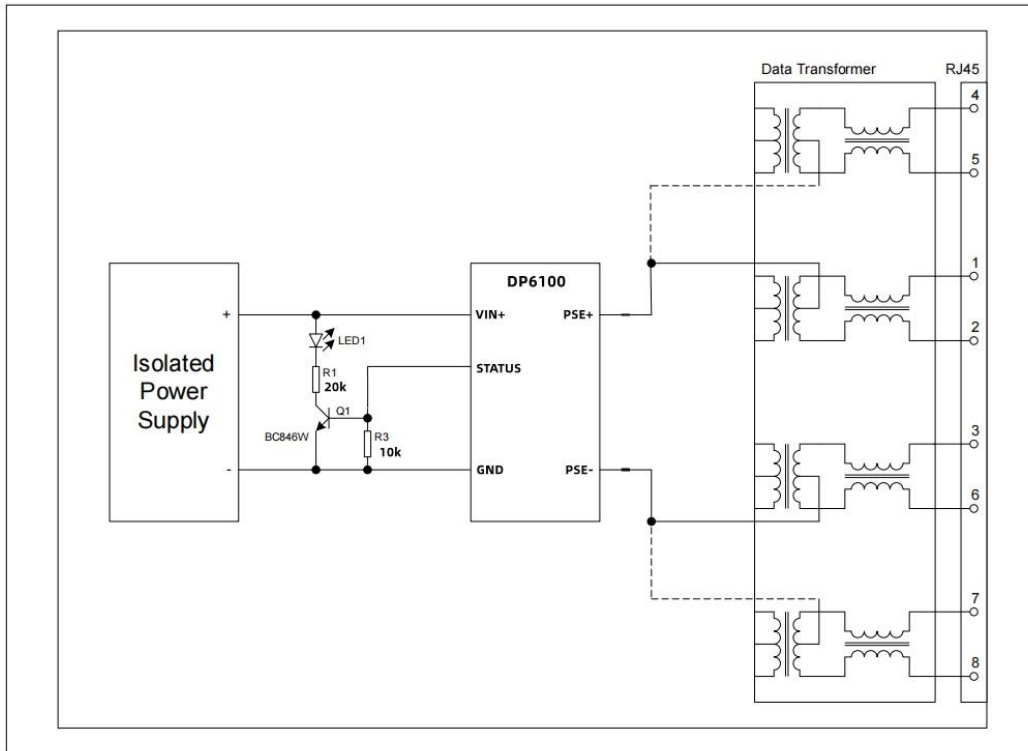
- Compliant with IEEE802.3at Type 1(af) & Type 2
- Small SIL package size - 26mm (L) x 14mm (H)
- Low cost
- Output power up to 30W
- Minimal (low cost) external components required
- Over-current and short circuit protection
- Industrial Temperature Range
- Sdapo “design-in” assistance



Pin Description

Pin #	Name	Description
1	VIN+	Main Power Supply. This pin connects to an isolated 44V to 57V supply; relative to the GND.
2	GND	GND. This pin is the return path for the isolated VIN+ power supply.
3	STATUS	Status Output. This output shows the status of the DP6100.
4	PSE+	Port Output. This output pin monitors the line and supplies power to valid powered device.
5	PSE-	Port Output Return. This pin is the return path for PSE+.
6,7,8,9	NC	No Connection.

Typical Connection Diagram



STATUS Output Configuration