



Bandkontaktbuchse 2 mm

Einsatzbereich: - 923 Stecker
- 940 Stecker (Signalkontakt)

TE Teile Nr.: 60-0046-021-P00
IC Ref. Nr.: 60.046.21

Elektrische Werte

Bemessungsstrom max. 25 A*
Durchgangswiderstand < 3 mOhm

Werkstoff

Kontakt Federbronze,
aktiver Bereich vergoldet

Anschluss

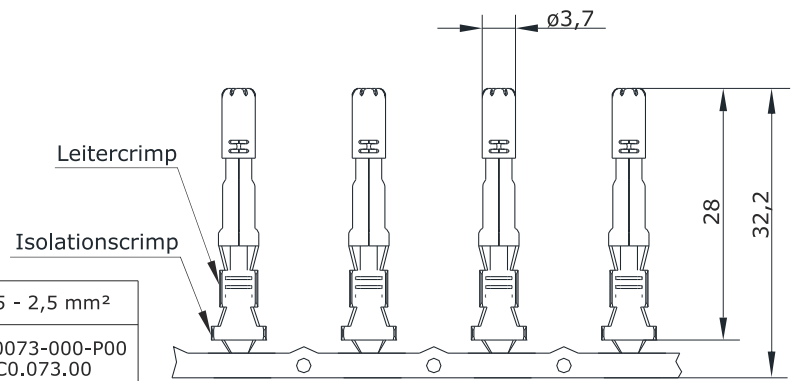
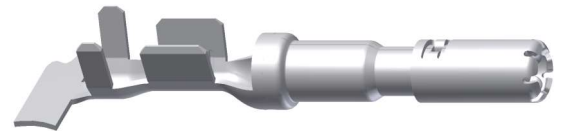
Anschlussart/-bereich offener crimp/ 0,5 - 2,5 mm²
max. Litzenaußendurchmesser ø3,1 mm
Abisolierlänge 5 mm

Mechanische Werte

Steckzyklen 500

Werkzeuge (nicht im Lieferumfang enthalten)

Litzenquerschnitt	0,5 - 1,0 mm ²	1,0 - 1,5 mm ²	1,5 - 2,5 mm ²
Handcrimpzange TE Teile Nr:	C0-0072-000-000	-	C0-0073-000-P00
IC Ref. Nr:	C0.072.00		C0.073.00



Hauptabmessungen
Kontaktbuchse





Bandoleer Contact Socket 2 mm

for: - 923 plug
- 940 plug (signal contact)

TE Teile Nr.: 60-0046-021-P00
IC reference number: 60.046.21

Electrical Data

rated current max. 25 A*
contact resistance < 3 mOhm

Material

contacts phosphorus bronze,
active area gold plated

Termination

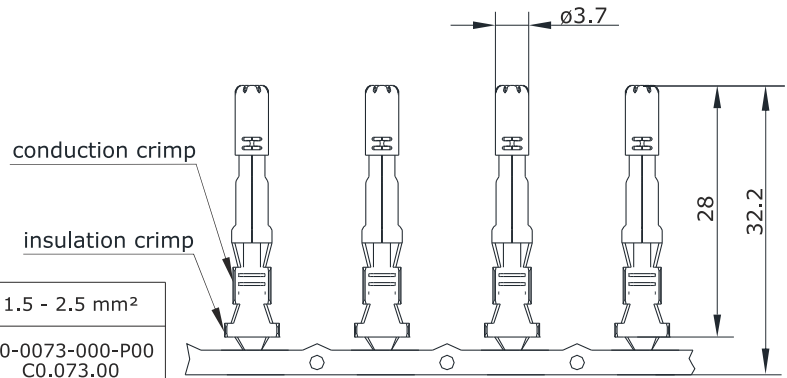
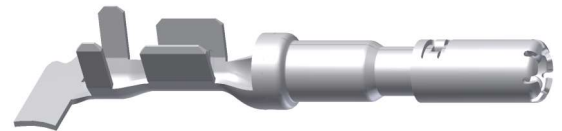
cross-section open crimp/ 0.5 - 2.5 mm²
max. outer diameter ø3.1 mm
stripping length 5 mm

Mechanical Data

mating cycles 500

Tools (not part of product contents)

wire cross-section	0.5 - 1.0 mm ²	1.0 - 1.5 mm ²	1.5 - 2.5 mm ²
analog crimping tool TE part no:	C0-0072-000-000	-	C0-0073-000-P00
IC ref. no:	C0.072.00		C0.073.00



Main Dimensions
contact socket

Y6-B375-000-0EN issued: 22.06.2015/Sp; modified: 27.09.2018/MK

© 2018 TE Connectivity

TE Connectivity, TE connectivity (logo), intercontec (logo) and speedtec are trademarks.

While TE Connectivity (TE) has made every reasonable effort to ensure the accuracy of the information in this presentation, TE does not guarantee that it is error-free, nor does TE make any other representation, warranty or guarantee that the information is accurate, correct, reliable or current. TE reserves the right to make any adjustments to the information contained herein at any time without notice. TE expressly disclaims all implied warranties regarding the information contained herein, including, but not limited to, any implied warranties of merchantability or fitness for a particular purpose. The dimensions in this article are for reference purposes only and are subject to change without notice. Specifications are subject to change without notice. Consult TE for the latest dimensions and design specifications.

TE Connectivity Industrial GmbH
Bernrieder Straße 15
94559 Niederwinkling, Germany
+49 9962 2002 - 0
intercontec@te.com
www.intercontec.biz



* for max. wire cross-section