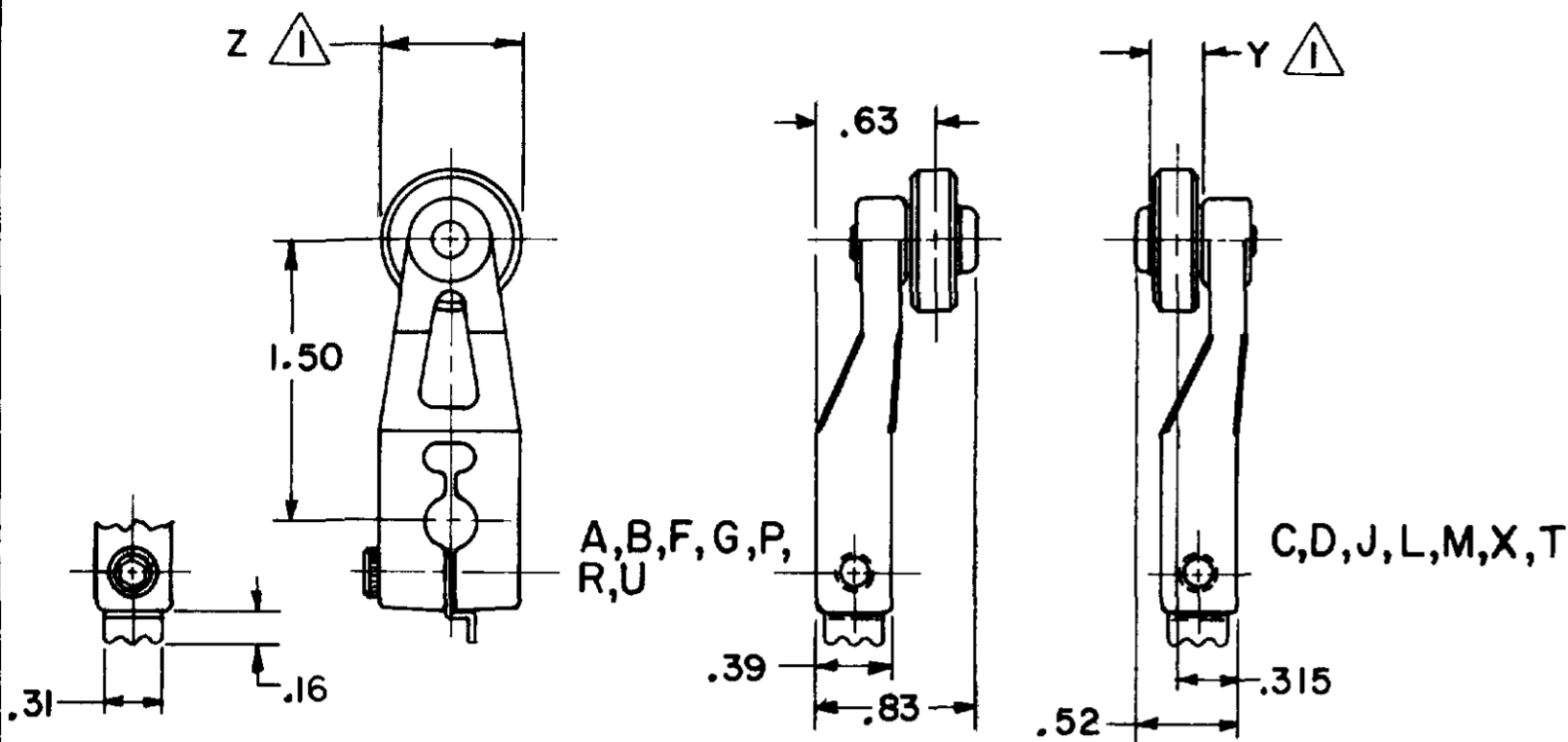


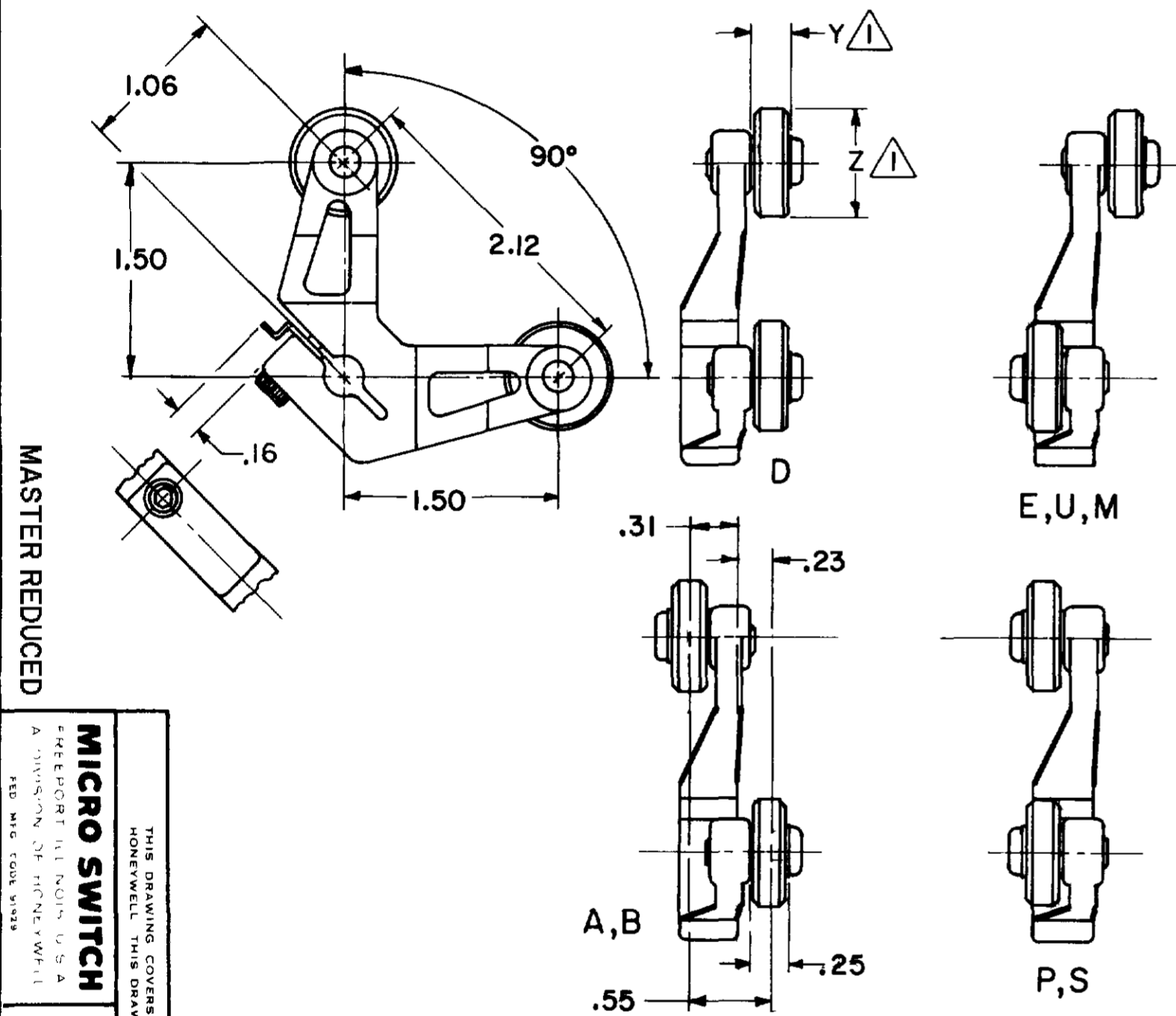
LEVERS FOR ROTARY LIMIT SWITCHES

ALL DIMENSIONS REFERENCE ONLY



CATALOG LISTING	ROLLER	Z DIA	Y WIDTH
LSZ51U	ST STEEL	.750	.575
LSZ51	NONE	---	---
LSZ51A	NYLON	.750	.250
LSZ51B	STEEL	.750	.250
LSZ51C	NYLON	.750	.250
LSZ51D	STEEL	.750	.250
LSZ51F	NYLON	1.000	.520
LSZ51G	NYLON	1.500	.250
LSZ51J	NYLON	1.000	.520
LSZ51L	BALL BEARING	.750	.250
LSZ51M	NYLON	.750	1.250
LSZ51P	NYLON	.750	.500
LSZ51N	STEEL	.750	.250
LSZ51T	ST. STEEL	.750	.250
LSZ51R	NYLON	1.59	.250
LSZ51W	RUBBER	1.60	.50
LSZ51Y	RUBBER	2.00	.50

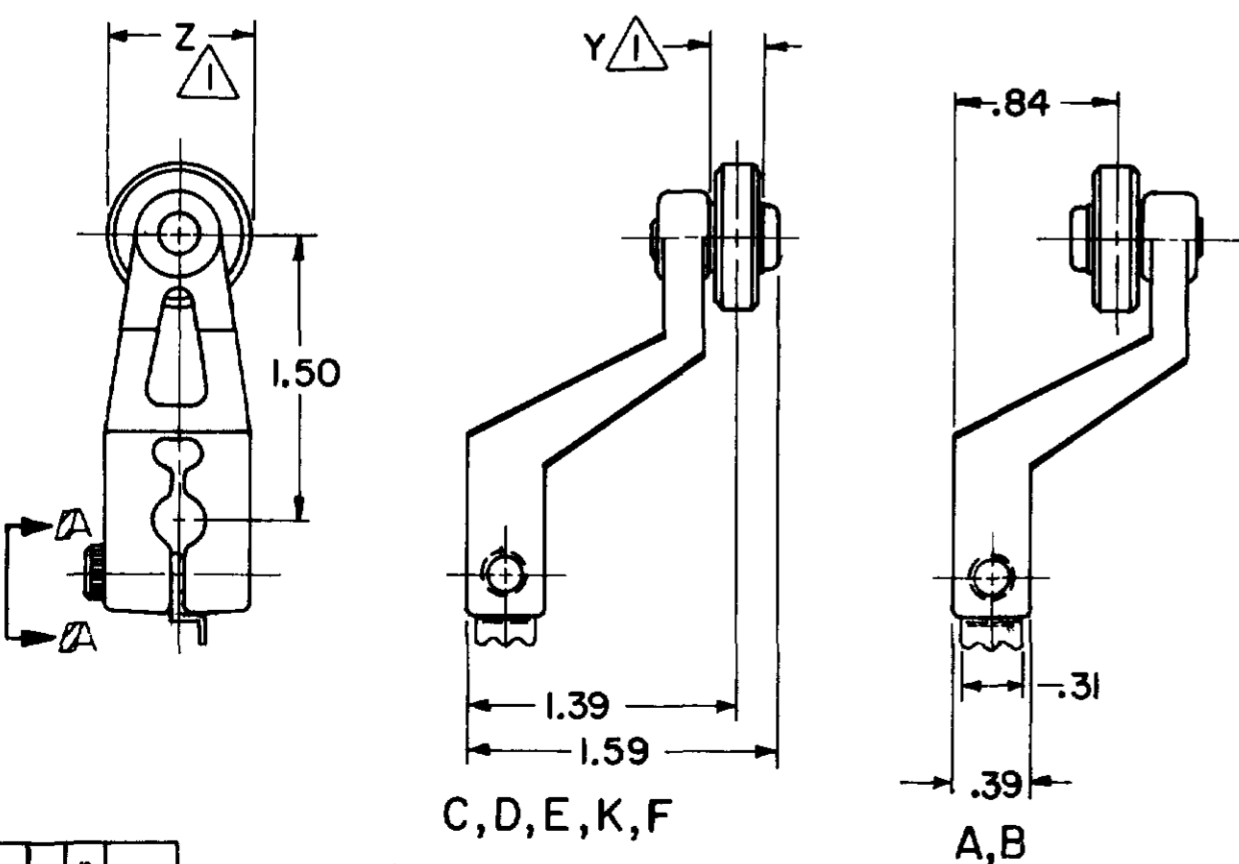
ALL DIMENSIONS REFERENCE ONLY



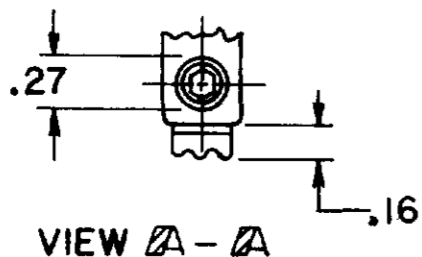
CATALOG LISTING	ROLLER	Z DIA.	Y WIDTH
LSZ53	NONE	---	---
LSZ53A	NYLON	.750	.250
LSZ53B	STEEL	.750	.250
LSZ53D	STEEL	.750	.250
LSZ53E	NYLON	.750	.250
LSZ53P	STEEL	.750	.250
LSZ53S	NYLON	.750	.250
LSZ53U	STEEL	.750	.250
LSZ53M	NYLON	.750	1.250

NOTES
 1 FOR ADDITIONAL ROLLER WIDTHS AND/OR DIAMETERS, REFER TO THE CHART ON THE RIGHT
 2 ALL SCREWS ARE #8-32 UNC WITH A 9/64 ALLEN HEAD SOCKET
 3 SAME AS 6PA121 (6PA121 NOT SHOWN)

ALL DIMENSIONS REFERENCE ONLY



CATALOG LISTING	ROLLER	Z DIA.	Y WIDTH
LSZ55	NONE	---	---
LSZ55A	NYLON	.750	.250
LSZ55B	STEEL	.750	.250
LSZ55C	NYLON	.750	.250
LSZ55D	STEEL	.750	.250
LSZ55E	NYLON	.750	.500
LSZ55K	NYLON	1.500	.250
LSZ55F	NYLON	1.00	.500
LSZ55W	RUBBER	1.60	.50
LSZ55Y	RUBBER	2.00	.50



MASTER REDUCED
 MICRO SWITCH
 A DIVISION OF THE MICRO SWITCH
 FED. REG. CO. 1953

THIS DRAWING COVERS A PROPRIETARY ITEM AND IS THE PROPERTY OF MICRO SWITCH, A DIVISION OF HONEYWELL. THIS DRAWING IS NOT TO BE COPIED OR USED WITHOUT THE APPROVAL OF MICRO SWITCH.

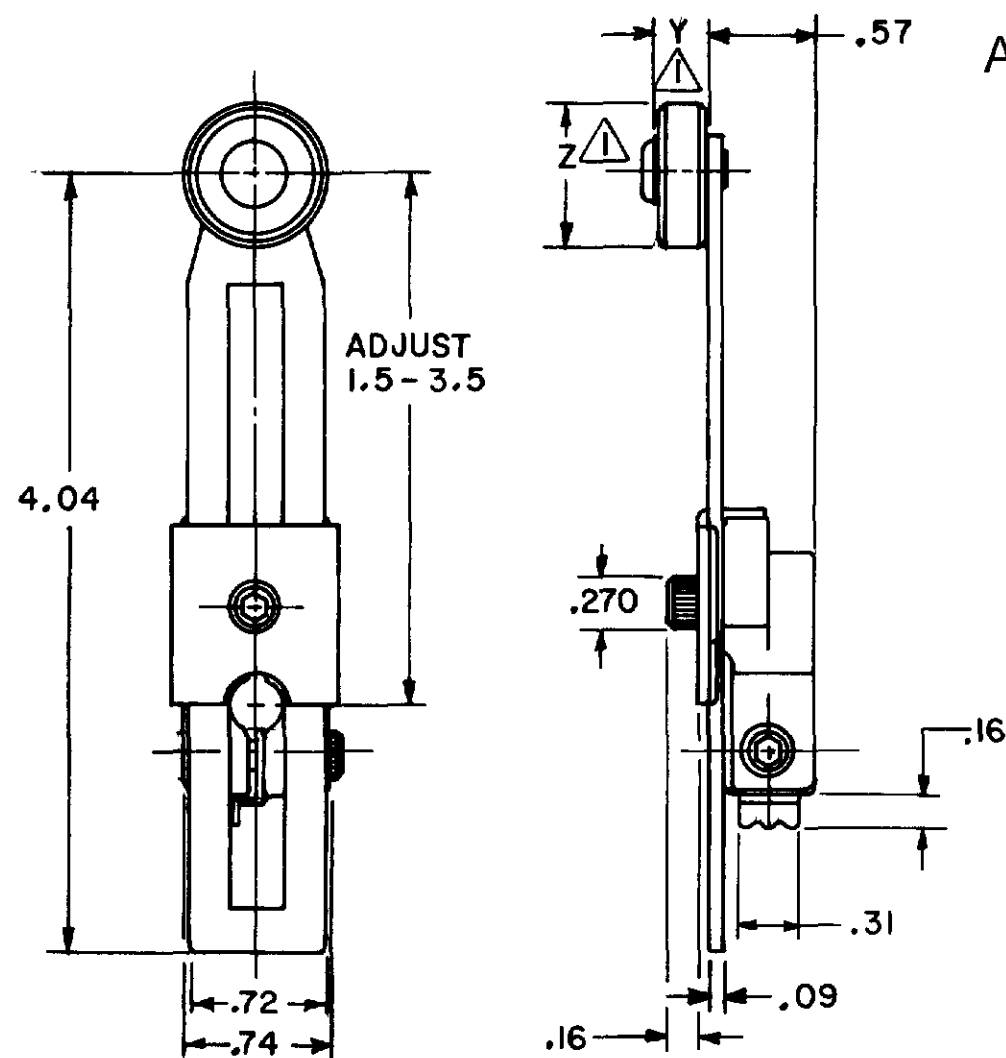
LSZ SERIES
 CHART 1

LSZ SERIES CHART 1

REV. NO.	DATE	BY	DESCRIPTION
A	10/24/94	AS	INITIAL DESIGN
B	11/19/94	AS	REVISED TO ADD 1.500 Z DIA
C	11/19/94	AS	REVISED TO ADD 1.500 Z DIA
D	11/19/94	AS	REVISED TO ADD 1.500 Z DIA
E	11/19/94	AS	REVISED TO ADD 1.500 Z DIA
F	11/19/94	AS	REVISED TO ADD 1.500 Z DIA
G	11/19/94	AS	REVISED TO ADD 1.500 Z DIA
H	11/19/94	AS	REVISED TO ADD 1.500 Z DIA
I	11/19/94	AS	REVISED TO ADD 1.500 Z DIA
J	11/19/94	AS	REVISED TO ADD 1.500 Z DIA
K	11/19/94	AS	REVISED TO ADD 1.500 Z DIA
L	11/19/94	AS	REVISED TO ADD 1.500 Z DIA
M	11/19/94	AS	REVISED TO ADD 1.500 Z DIA

LEVERS FOR ROTARY LIMIT SWITCHES

ALL DIMENSIONS REFERENCE ONLY

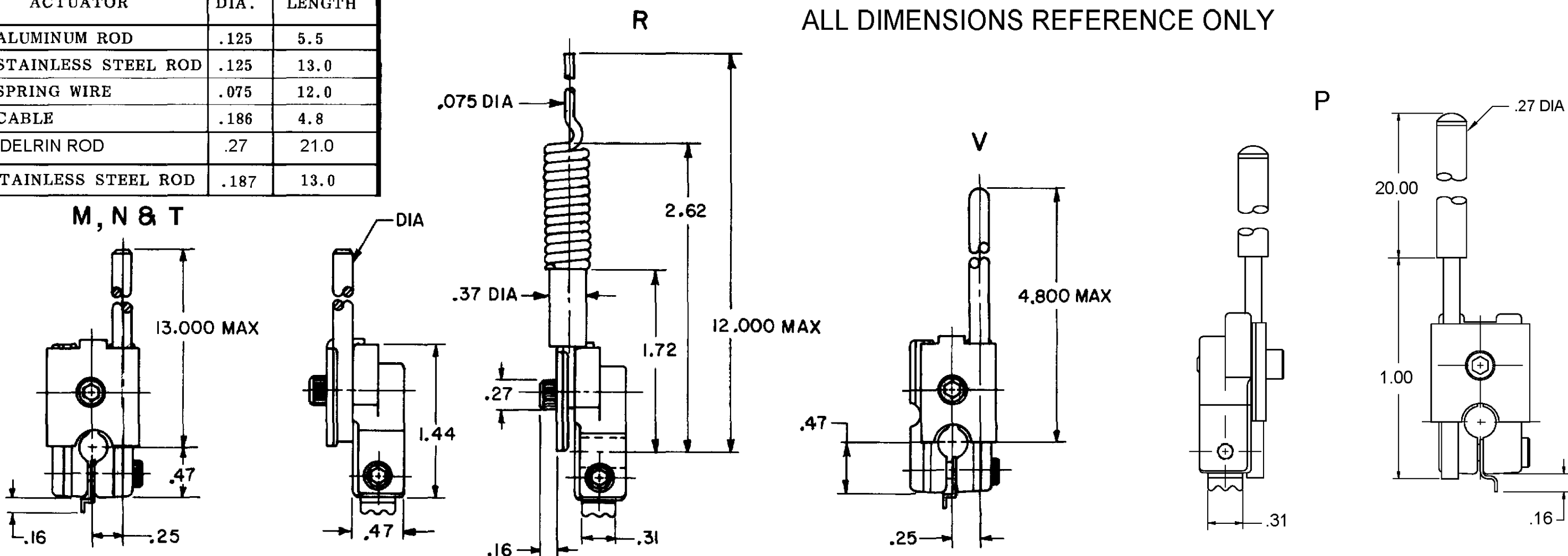


CATALOG LISTING	ROLLER	Z DIA	Y WIDTH
LSZ52	NONE	---	---
LSZ52A	NYLON	.750	.250
LSZ52B	STEEL	.750	.250
LSZ52C	NYLON	.750	.250
LSZ52D	STEEL	.750	.250
LSZ52J	NYLON	1.000	.500
LSZ52K	NYLON	1.500	.250
LSZ52M	NYLON	2.000	.250
LSZ52L	BALL BEARING	.750	.250
LSZ52E	NYLON	.750	1.300
LSZ52N	NYLON	.750	.500
LSZ52W	RUBBER	1.60	.50
LSZ52Y	RUBBER	2.00	.40

NOTES
 1 FOR ADDITIONAL ROLLER WIDTHS AND/OR DIAMETERS REFER TO THE CHART ON THE RIGHT
 2 ALL SCREWS ARE #8-32 UNC WITH A 9/64 ALLEN HEAD SOCKET EXCEPT LSZ52N WHICH USES BUTTON HEAD SCREW WITH 3/32 HEX SOCKET

CATALOG LISTING	ACTUATOR	DIA.	LENGTH
LSZ54M	ALUMINUM ROD	.125	5.5
LSZ54N	STAINLESS STEEL ROD	.125	13.0
LSZ54R	SPRING WIRE	.075	12.0
LSZ54V	CABLE	.186	4.8
LSZ54P	DELIN ROD	.27	21.0
LSZ54T	STAINLESS STEEL ROD	.187	13.0

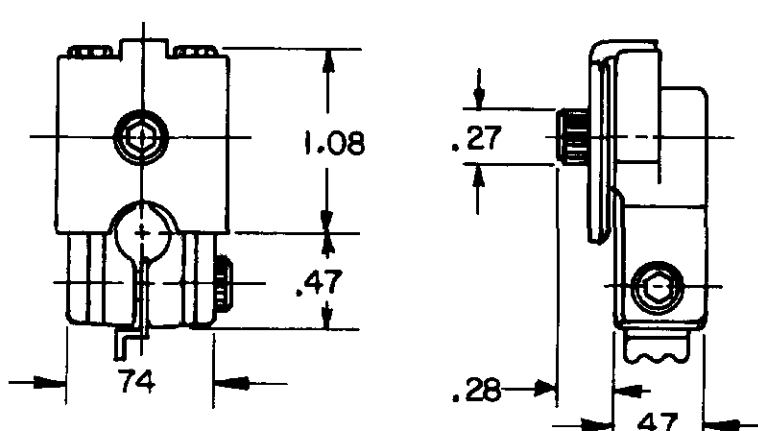
ALL DIMENSIONS REFERENCE ONLY



MASTER REDUCED

CATALOG LISTING	Y REF LENGTH	Z MAX WIDTH
LSZ 61	6.0	2.30
LSZ 618	9.5	4.00

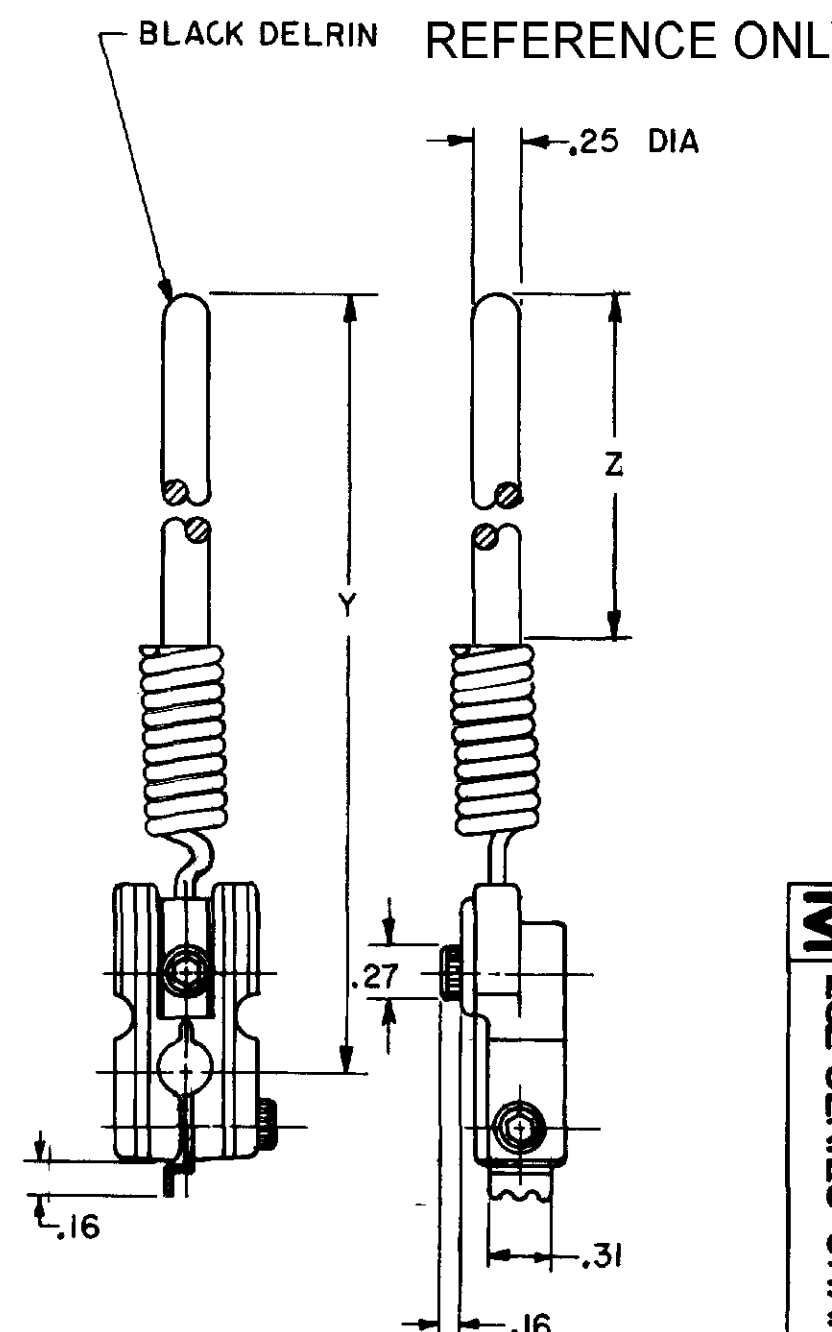
LSZ54



ALL DIMENSIONS REFERENCE ONLY

CATALOG LISTING	Y LENGTH	Z LENGTH
LSZ68	12.0	9.80
LSZ617	16.0	14.00
LSZ686	6.0	3.8

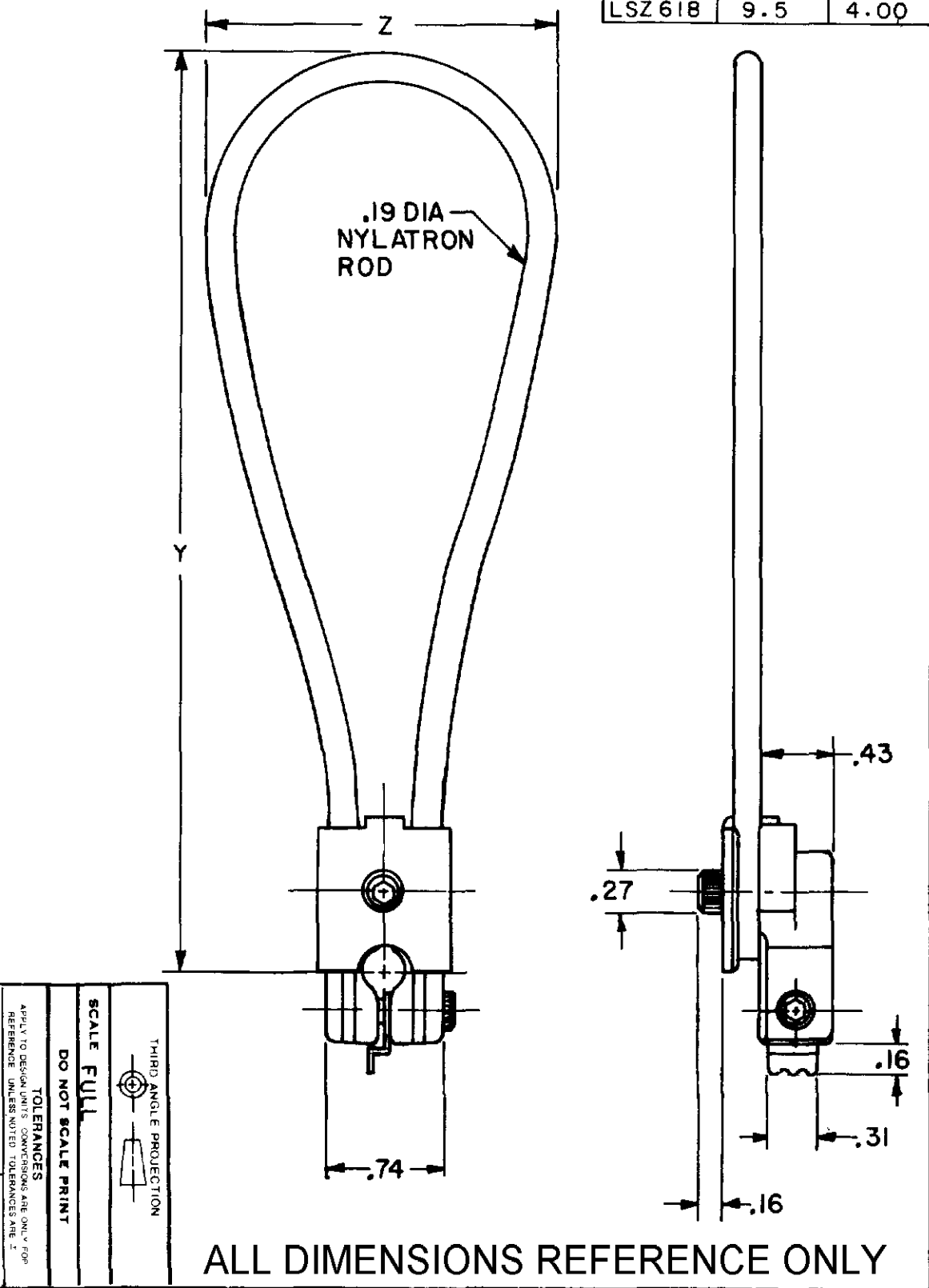
ALL DIMENSIONS REFERENCE ONLY



LSZ SERIES CHART 1

MICRO SWITCH
 FREEPORT ILLINOIS U.S.A.
 A DIVISION OF HONEYWELL
 P.O. BOX 10000
 FREEPORT, ILL. 62541

LSZ SERIES
 CHART 1

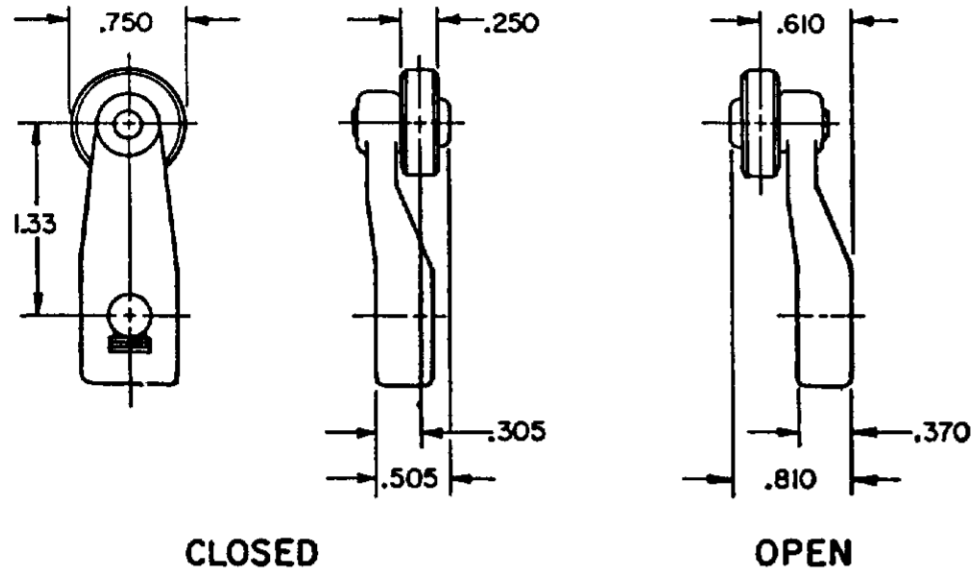


ALL DIMENSIONS REFERENCE ONLY

THIRD ANGLE PROJECTION
 SCALE FULL
 DO NOT SCALE PRINT
 TOLERANCES UNLESS NOTED OTHERWISE ARE:
 DIMENSIONS IN PARENTHESES ARE:
 .005 .010 .015 .020 .030 .040 .050 .060 .070 .080 .090 .100 .125 .150 .200 .250 .300 .400 .500 .600 .750 .800 .900 1.000 1.250 1.500 2.000 2.500 3.000 4.000 5.000 6.000 8.000 10.000
 ANGLES UNLESS NOTED OTHERWISE ARE:
 .125 .150 .200 .250 .300 .400 .500 .600 .750 .800 .900 1.000 1.250 1.500 2.000 2.500 3.000 4.000 5.000 6.000 8.000 10.000
 SURFACE FINISH UNLESS NOTED OTHERWISE IS:
 .125 .150 .200 .250 .300 .400 .500 .600 .750 .800 .900 1.000 1.250 1.500 2.000 2.500 3.000 4.000 5.000 6.000 8.000 10.000
 WEIGHT

LEVERS FOR ROTARY LIMIT SWITCHES

TYPE LSZ59 LEVER

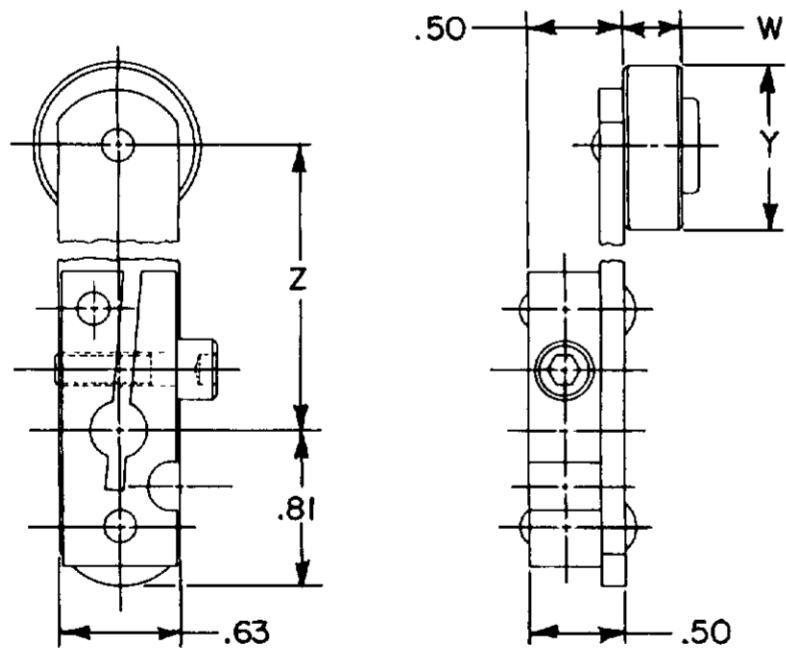


CATALOG LISTING	ROLLER	STYLE	DIA.	WIDTH
LSZ59	NONE	---	----	----
LSZ59A	NYLON	OPEN	.750	.250
LSZ59B	STEEL	OPEN	.750	.250
LSZ59C	NYLON	CLOSED	.750	.250
LSZ59D	STEEL	CLOSED	.750	.250
LSZ59L	BALL BEARING	CLOSED	.750	.250

ALL DIMENSIONS REFERENCE ONLY

MASTER REDUCED

FIXED LEVER TYPE



CATALOG LISTING	ROLLER	W WIDTH	Y DIA	Z LENGTH
ⓐ	NYLON	.300	.875	1.500
ⓑ	NYLON	.300	.875	2.000
ⓒ	NYLON	.300	.875	2.500
ⓓ	NYLON	.300	.875	3.000
ⓔ	NYLON	.300	.875	3.500
ⓕ	NYLON	.300	.875	4.000
LSZ581B	ST. STL	.250	.750	1.500
ⓖ	ST. STL	.250	.750	2.000

NOTE
 1 - SCREW IS 10-32 WITH A 5/32 ALLEN HEAD SOCKET

ALL DIMENSIONS REFERENCE ONLY

MICRO SWITCH
 FREEPORT, ILLINOIS, U.S.A.
 A DIVISION OF HONEYWELL
 FED. MFG. CODE 9122

THIS DRAWING COVERS A PROPRIETARY ITEM AND IS THE PROPERTY OF MICRO SWITCH, A DIVISION OF HONEYWELL. THIS DRAWING IS NOT TO BE COPIED OR USED WITHOUT THE APPROVAL OF MICRO SWITCH.

LSZ SERIES
 CHART 1

THIRD ANGLE PROJECTION	SCALE	NONE
DO NOT SCALE PRINT	DESIGN UNITS	INCHES
TOLERANCES	UNLESS OTHERWISE SPECIFIED	
FRACTIONS	±.0005	
DECIMALS	±.0005	
ANGLES	±.005	
SPACES	±.005	
WEIGHT	±.005	