

1367629-2 ✓ ACTIVE

TE Internal #: 1367629-2

SFP, Cage, .8mm [.031in] Centerline, Signal, Operating

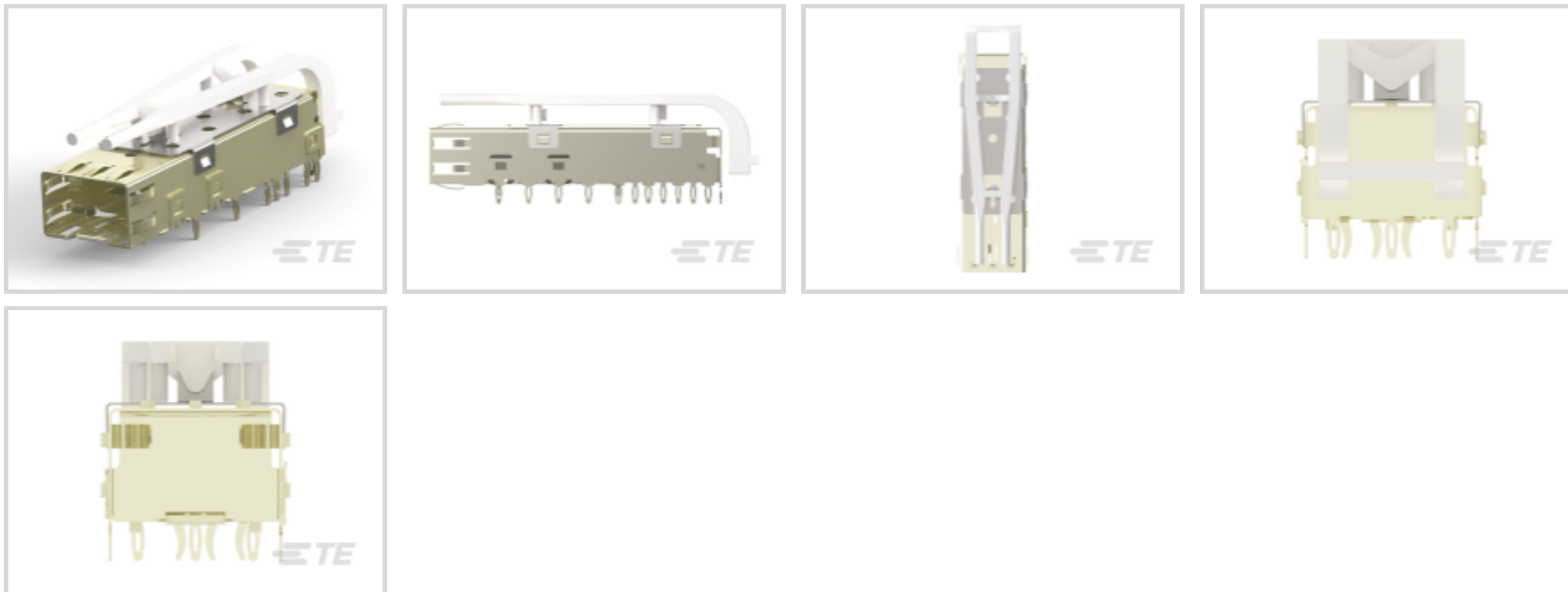
Temperature Range -55 – 85 °C [-67 – 185 °F], Data Rate (Max) 4 Gb

/s, 20 Position, 1 Ports

[View on TE.com >](#)



Connectors > Pluggable IO Connectors & Cages



Pluggable I/O Product Type: **Cage**

Centerline (Pitch): **.8 mm [.031 in]**

Sealable: **No**

Circuit Application: **Signal**

Operating Temperature Range: **-55 – 85 °C [-67 – 185 °F]**

Features

Product Type Features

Cage Type	Single
Pluggable I/O Product Type	Cage
Sealable	No
Form Factor	SFP

Configuration Features

Lightpipe Style	Standard
Number of Positions	20
Number of Ports	1
Port Matrix Configuration	1 x 1

Electrical Characteristics

Data Rate (Max)	4 Gb/s
-----------------	--------

Termination Features

Termination Post & Tail Length	3 mm [.118 in]
Termination Method to PCB	Through Hole - Press-Fit



Housing Features

Cage Material	Copper Alloy
Centerline (Pitch)	.8 mm [.031 in]

Dimensions

PCB Thickness (Recommended)	1.5 mm [.059 in]
-----------------------------	------------------

Usage Conditions

Operating Temperature Range	-55 – 85 °C [-67 – 185 °F]
-----------------------------	----------------------------

Operation/Application

Pluggable I/O Applications	SFP
Heat Sink Compatible	No
Circuit Application	Signal

Packaging Features

Packaging Method	Box & Tray
------------------	------------

Other

Included Lightpipe	Yes
EMI Containment Feature Type	Internal/External EMI Springs

Product Compliance

[For compliance documentation, visit the product page on TE.com>](#)

EU RoHS Directive 2011/65/EU	Compliant
EU ELV Directive 2000/53/EC	Compliant
China RoHS 2 Directive MIIT Order No 32, 2016	No Restricted Materials Above Threshold
EU REACH Regulation (EC) No. 1907/2006	Current ECHA Candidate List: JUNE 2024 (241) Candidate List Declared Against: JUNE 2024 (241) Does not contain REACH SVHC
Halogen Content	Not Low Halogen - contains Br or Cl > 900 ppm.
Solder Process Capability	Not applicable for solder process capability

Product Compliance Disclaimer

This information is provided based on reasonable inquiry of our suppliers and represents our current actual knowledge based on the information they provided. This information is subject to change. The part numbers that TE has identified as EU RoHS compliant have a maximum concentration of 0.1% by weight in homogenous materials for lead, hexavalent chromium, mercury, PBB, PBDE, DBP, BBP, DEHP, DIBP, and 0.01% for cadmium, or qualify for an exemption to these limits as defined in the Annexes of Directive 2011/65/EU (RoHS2). Finished electrical and electronic equipment products

will be CE marked as required by Directive 2011/65/EU. Components may not be CE marked. Additionally, the part numbers that TE has identified as EU ELV compliant have a maximum concentration of 0.1% by weight in homogenous materials for lead, hexavalent chromium, and mercury, and 0.01% for cadmium, or qualify for an exemption to these limits as defined in the Annexes of Directive 2000/53/EC (ELV). Regarding the REACH Regulation, the information TE provides on SVHC in articles for this part number is based on the latest European Chemicals Agency (ECHA) 'Guidance on requirements for substances in articles' posted at this URL: <https://echa.europa.eu/guidance-documents/guidance-on-reach>

Compatible Parts



TE Part # CAT-SF59-C76264
SFP Connectors



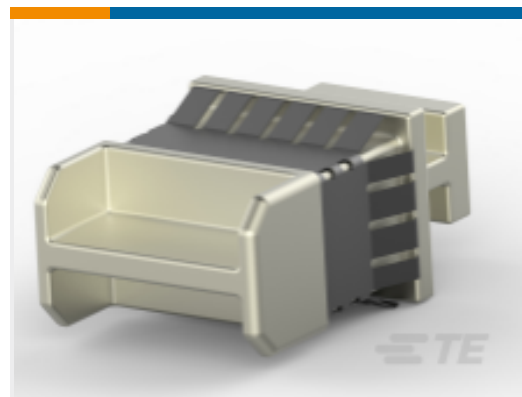
TE Part # 1367147-1
SFP COVER, UNPLATED



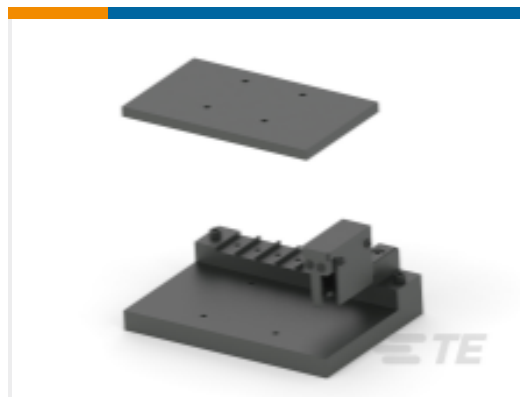
TE Part # 1367147-3
SFP COVER, UNPL, NO LOGO



TE Part # 1761394-1
DUST COVER, SFP, GANGED & STACKED



TE Part # 1888901-1
SFP+ EMI Plug



TE Part # 2215067-2
ASSY, EXTRACTION TOOL, 1 X 1



TE Part # 2215070-4
ASSY, SEATING TOOL

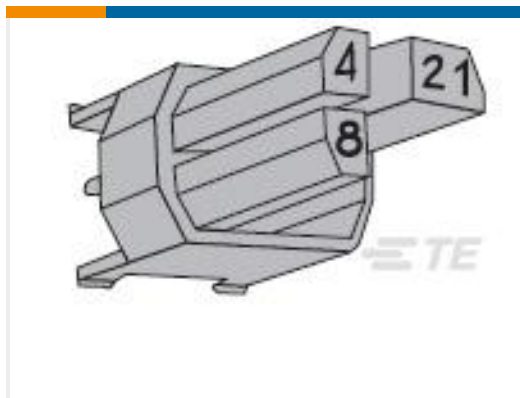
Customers Also Bought



TE Part #650870-4
064 EURO TYPE R RECEPT ASSY



TE Part #2227104-1
1X2 CAGE ASSY, BHND BEZEL, QSFP28



TE Part #6-100525-9
Z-PACK M.CODING KEY



TE Part #1469265-5
UPM R/A KEYED GUIDE PIN



TE Part #3-2176263-6
RN 0402 56K2 0.1% 10PPM 5K RL



TE Part #2-2822979-3
LGA3647-0 SOCKET P0 KIT FOR ODM (30U AU)



TE Part #1645568-1
12 ROW HM RA REC ASY 144P CTR

Documents

Product Drawings



[cage assy, 20 press fit, sfp w](#)

English

CAD Files

[3D PDF](#)

3D

Customer View Model

[ENG_CVM_CVM_1367629-2_B.2d_dxf.zip](#)

English

Customer View Model

[ENG_CVM_CVM_1367629-2_B.3d_igs.zip](#)

English

Customer View Model

[ENG_CVM_CVM_1367629-2_B.3d_stp.zip](#)

English

By downloading the CAD file I accept and agree to the [Terms and Conditions](#) of use.

Product Specifications

[Application Specification](#)

English