

SPECIFICATIONS

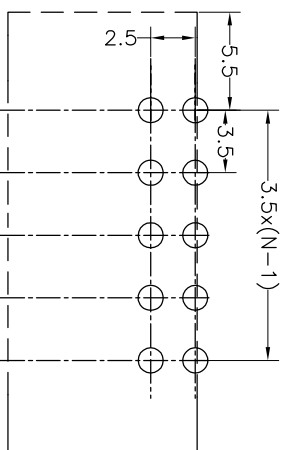
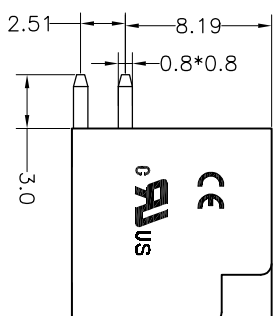
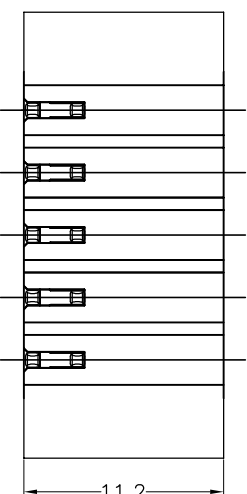
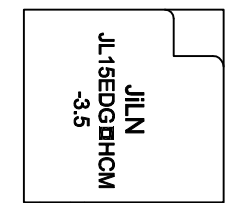
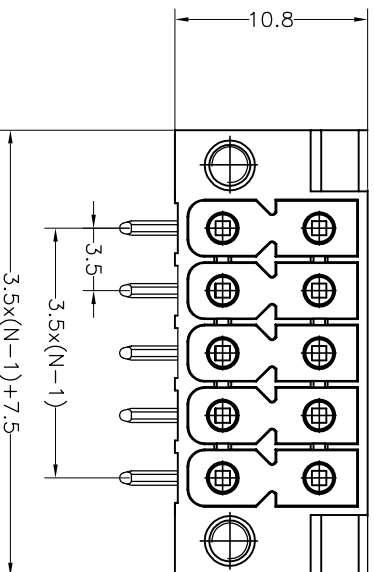
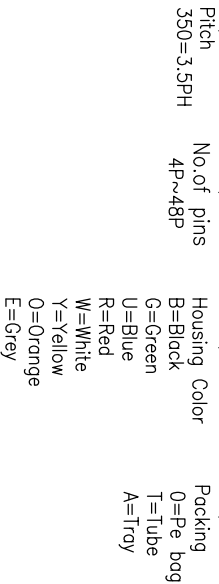
Rated (额定参数): 300V,8A
 Dielectric strength(抗电强度): AC1600V/1 Minute
 Insulation Resistance(绝缘电阻):1000MΩ Min
 Contact Resistance(接触电阻):20mΩ Max
 Temp. range(操作温度): -40℃~+105℃
 MAX Soldering(瞬时温度):+260℃,5s

Housing Material(塑件): LCP (UL94 V-0)
 Contact(端子): Brass, Tin plating(黄铜镀锡)

PITCH RANGE		NOMINAL DIMENSION RANGE				
IN MM	OVER	IN MM	OVER	OVER	OVER	OVER
TO 6	6 TO 10	10 TO 24	30 TO 60	60 TO 100	100 TO 150	OVER 150
±0.10	±0.15	±0.25	±0.30	±0.30	±0.50	±0.70
						±1.00

Ordering Information

JL15EDGRHCM - 350 XX B 0 1



Recommended P.C.B Layout(Top Side)

REVISION RECORD				
REV	ECN	DESCRIPTION	DRFT	DATE
A0		NEW		21.08.16

DRAW	SHUANGPING ZHENG		SCALE	FIT	PART NO.	TITLE:
	UNIT	mm				
CHECK	LICHAO LIU		SIZE	A4	JL15EDGRHCM-350XXB01	JL15EDGRHCM-350XXB01
APPROVE	YONGLANG GAO		SHEET	1/1		
			PROJ.			JL15EDGRHCM-350XXB01

JILIN 东莞市锦凌电子有限公司
 DONGGUAN JINLING ELECTRONIC CO., LTD