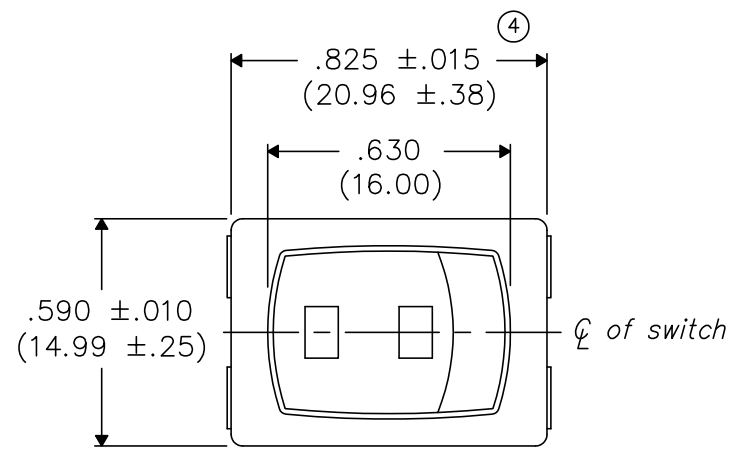
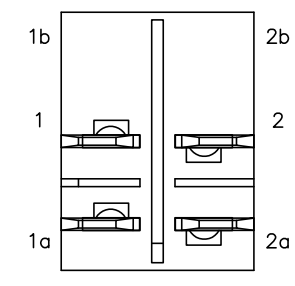
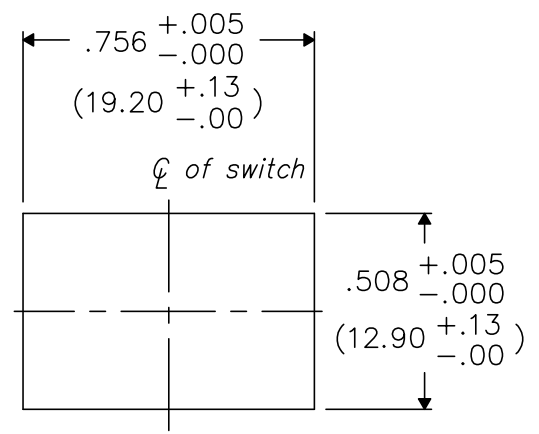


DIMENSIONS IN INCHES (MILLIMETERS)  
DO NOT SCALE DRAWING .....

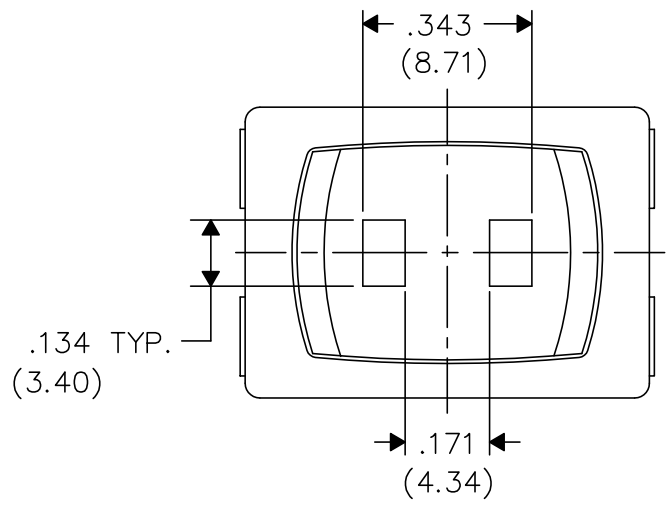
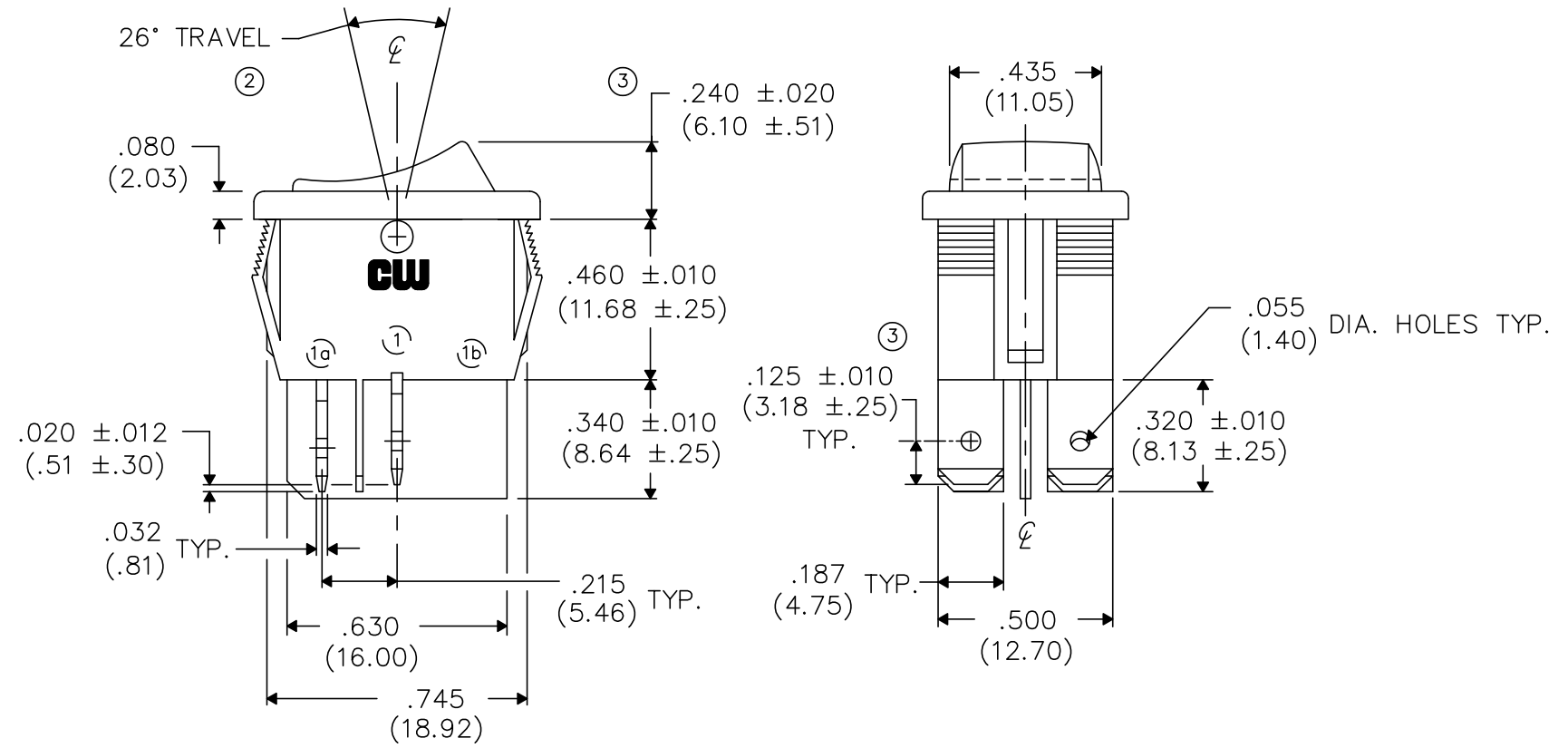
Dwg. No.  
GRSV-4021-0005



PANEL PIERCING



BOTTOM VIEW



BUTTON ROTATED FOR HOLE DIMENSIONS

B-FORMAT 2002	REVISIONS																	
	0	1	2	3	4													
	RELEASED. DGW 8-15-2003 Aug. 20, 2003	ADDED TOP VIEW DETAIL WITH .134 TYP., .343 & .171. DGW 9-02-2003 BWF 9-02-2003	26° TRAVEL WAS 36°. DGW 9-03-2003 BWF 9-03-2003	REDRAWN. .240±.020 WAS .230±.020. ADDED .125±.010 TYP. TO TERMINAL IN SIDE VIEW. DGW 9-04-2003 BWF SEP. 05, 2003	.825±.015 WAS .825±.010 IN TOP VIEW. DGW 9-16-2003 BWF SEP. 16, 2003													

PDF File Made	<b>CW INDUSTRIES</b> Southampton, Pa. 18966		Title: <b>ROCKER SWIDGET ASSEMBLY FOR TOPPER (POP IN), W/BARR.S D.P./ S.T.</b>
	TOLERANCES UNLESS OTHERWISE SPECIFIED		
	2 Place Decimal ±.010 3 Place Decimal ±.005 Angles ..... ±1°	METRIC 1 Place Dec. ±.25mm 2 Place Dec. ±.13mm	
	Made for: CW IND.	Division: SWITCH	
	Drawn by: DGW 8-15-2003		Dwg. No. GRSV-4021-0005
	Checked by: GG 9-5-3		
	Approval: BF 9-5-3		

# Mouser Electronics

Authorized Distributor

Click to View Pricing, Inventory, Delivery & Lifecycle Information:

[CW Industries:](#)

[GRSV-4021-0005](#)