

# HCP10DTD2L04 ✓ ACTIVE

TE Internal #: 1-2439028-1

Single Pole - Double Throw Configuration (Pole-Throw), Lever, Normal Actuator Style, 10A Contact Current Rating, Snap Action Switches

[View on TE.com >](#)



Switches > Snap Action Switches



Configuration (Pole-Throw): **Single Pole - Double Throw**

Actuator Style: **Lever, Normal**

Contact Current Rating: **10 A**

Operating Voltage: **250 VDC**

## Features

### Product Type Features

Actuator Style	Lever, Normal
Switch Connection Type	Quick Connect Terminal
Switch Style	Miniature

### Configuration Features

Operating Position	15.3 mm[.602 in]
Configuration (Pole-Throw)	Single Pole - Double Throw

### Electrical Characteristics

Contact Current Rating	10 A
Operating Voltage	250 VDC

### Body Features

Movement Differential	1 mm[.039 in]
Releasing Force	10 g[.352 oz]
Product Orientation	Vertical

### Dimensions

Pre Travel	5.9 mm[.232 in]
------------	-----------------



## Operation/Application

Operating Force	90 g[3.174 oz]
-----------------	----------------

## Other

Over Travel	1.2 mm[.047 in]
-------------	-----------------

## Product Compliance

[For compliance documentation, visit the product page on TE.com>](#)

EU RoHS Directive 2011/65/EU	Compliant
EU ELV Directive 2000/53/EC	Not Yet Reviewed
China RoHS 2 Directive MIIT Order No 32, 2016	No Restricted Materials Above Threshold
EU REACH Regulation (EC) No. 1907/2006	Current ECHA Candidate List: JUNE 2024 (241) Candidate List Declared Against: JUNE 2023 (235) Does not contain REACH SVHC
Halogen Content	Not Low Halogen - contains Br or Cl > 900 ppm.
Solder Process Capability	Not reviewed for solder process capability

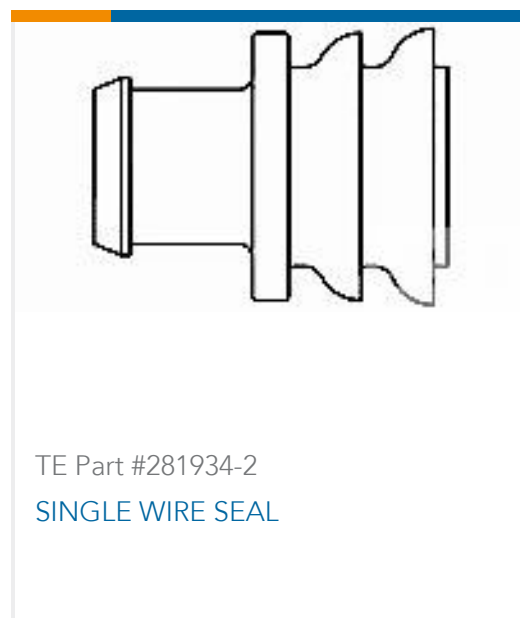
### Product Compliance Disclaimer

This information is provided based on reasonable inquiry of our suppliers and represents our current actual knowledge based on the information they provided. This information is subject to change. The part numbers that TE has identified as EU RoHS compliant have a maximum concentration of 0.1% by weight in homogenous materials for lead, hexavalent chromium, mercury, PBB, PBDE, DBP, BBP, DEHP, DIBP, and 0.01% for cadmium, or qualify for an exemption to these limits as defined in the Annexes of Directive 2011/65/EU (RoHS2). Finished electrical and electronic equipment products will be CE marked as required by Directive 2011/65/EU. Components may not be CE marked. Additionally, the part numbers that TE has identified as EU ELV compliant have a maximum concentration of 0.1% by weight in homogenous materials for lead, hexavalent chromium, and mercury, and 0.01% for cadmium, or qualify for an exemption to these limits as defined in the Annexes of Directive 2000/53/EC (ELV). Regarding the REACH Regulations, TE's information on SVHC in articles for this part number is still based on the European Chemical Agency (ECHA) 'Guidance on requirements for substances in articles' (Version: 2, April 2011), applying the 0.1% weight on weight concentration threshold at the finished product level. TE is aware of the European Court of Justice ruling of September 10th, 2015 also known as O5A (Once An Article Always An Article) stating that, in case of 'complex object', the threshold for a SVHC must be applied to both the product as a whole and simultaneously to each of the articles forming part of its composition. TE has evaluated this ruling based on the new ECHA "Guidance on requirements for substances in articles" (June 2017, version 4.0) and will be updating its statements accordingly.

## Compatible Parts



## Customers Also Bought



## Documents

### Product Drawings

[HCP10A, Lgt Force, 0.187 Term. Norm LVR](#)

English

### CAD Files

Customer View Model

[ENG\\_CVM\\_CVM\\_1-2439028-1\\_A.3d\\_igs.zip](#)

English

Customer View Model

[ENG\\_CVM\\_CVM\\_1-2439028-1\\_A.3d\\_stp.zip](#)

English

Customer View Model

[ENG\\_CVM\\_CVM\\_1-2439028-1\\_A.2d\\_dxf.zip](#)

English

### 3D PDF

3D

By downloading the CAD file I accept and agree to the [Terms and Conditions](#) of use.

HCP10DTD2L04

Single Pole - Double Throw Configuration (Pole-Throw), Lever, Normal Actuator Style,  
10A Contact Current Rating, Snap Action Switches



[Datasheets & Catalog Pages](#)

[ALCOSWITCH\\_HCP\\_SERIES](#)

English