



SlimSeal | SlimSeal Connectors Headers

TE Internal #: 2106053-2

Wire-to-Wire, 2 Position, .14 mm [3.5 in] Centerline, Sealable, Printed Circuit Board, SlimSeal Connectors Headers, Plug & Socket Lighting Connectors

[View on TE.com >](#)

Connectors > Lighting Connectors > Plug & Socket Lighting Connectors



Connector System: **Wire-to-Wire**

Number of Positions: **2**

Centerline (Pitch): **.14 mm [3.5 in]**

Sealable: **Yes**

Connector & Contact Terminates To: **Printed Circuit Board**

Features

Product Type Features

| | |
|-----------------------------------|-----------------------|
| Connector System | Wire-to-Wire |
| Sealable | Yes |
| Connector & Contact Terminates To | Printed Circuit Board |
| Lighting Connector Style | Receptacle |

Configuration Features

| | |
|---------------------|---|
| Number of Positions | 2 |
|---------------------|---|

Electrical Characteristics

| | |
|-------------------|---------|
| Operating Voltage | 400 VDC |
|-------------------|---------|

Body Features

| | |
|-----------------------|-------|
| Primary Product Color | Black |
|-----------------------|-------|

Contact Features

| | |
|------------------------------|-----|
| Contact Current Rating (Max) | 5 A |
|------------------------------|-----|

Housing Features

| | |
|--|--|
| | |
|--|--|



| | |
|--------------------|----------------|
| Centerline (Pitch) | .14 mm[3.5 in] |
|--------------------|----------------|

Usage Conditions

| | |
|-----------------------------|----------------------------|
| Operating Temperature Range | -40 – 105 °C[-40 – 221 °F] |
|-----------------------------|----------------------------|

Product Compliance

[For compliance documentation, visit the product page on TE.com>](#)

| | |
|---|--|
| EU RoHS Directive 2011/65/EU | Compliant |
| EU ELV Directive 2000/53/EC | Compliant |
| China RoHS 2 Directive MIIT Order No 32, 2016 | No Restricted Materials Above Threshold |
| EU REACH Regulation (EC) No. 1907/2006 | Current ECHA Candidate List: JUNE 2024 (241) Candidate List Declared Against: JAN 2024 (240) Does not contain REACH SVHC |
| Halogen Content | Low Halogen - Br, Cl, F, I < 900 ppm per homogenous material. Also BFR/CFR/PVC Free |
| Solder Process Capability | Reflow solder capable to 260°C |

Product Compliance Disclaimer

This information is provided based on reasonable inquiry of our suppliers and represents our current actual knowledge based on the information they provided. This information is subject to change. The part numbers that TE has identified as EU RoHS compliant have a maximum concentration of 0.1% by weight in homogenous materials for lead, hexavalent chromium, mercury, PBB, PBDE, DBP, BBP, DEHP, DIBP, and 0.01% for cadmium, or qualify for an exemption to these limits as defined in the Annexes of Directive 2011/65/EU (RoHS2). Finished electrical and electronic equipment products will be CE marked as required by Directive 2011/65/EU. Components may not be CE marked. Additionally, the part numbers that TE has identified as EU ELV compliant have a maximum concentration of 0.1% by weight in homogenous materials for lead, hexavalent chromium, and mercury, and 0.01% for cadmium, or qualify for an exemption to these limits as defined in the Annexes of Directive 2000/53/EC (ELV). Regarding the REACH Regulation, the information TE provides on SVHC in articles for this part number is based on the latest European Chemicals Agency (ECHA) 'Guidance on requirements for substances in articles' posted at this URL: <https://echa.europa.eu/guidance-documents/guidance-on-reach>

Compatible Parts

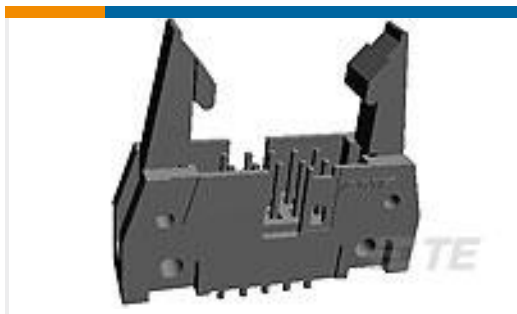
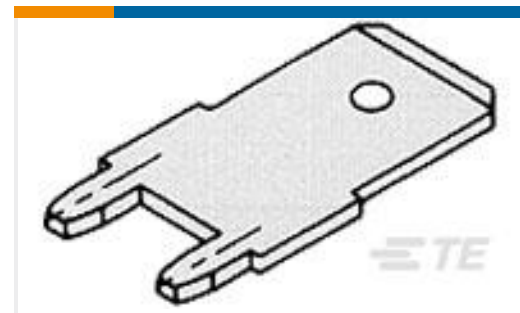
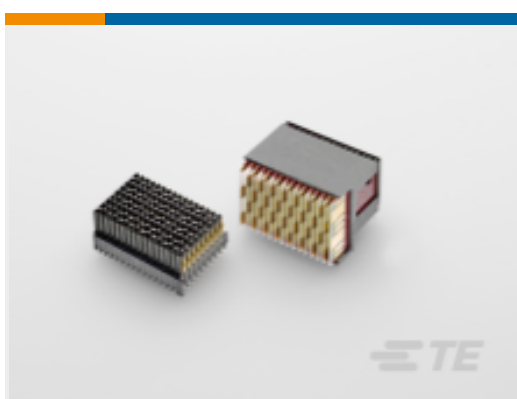
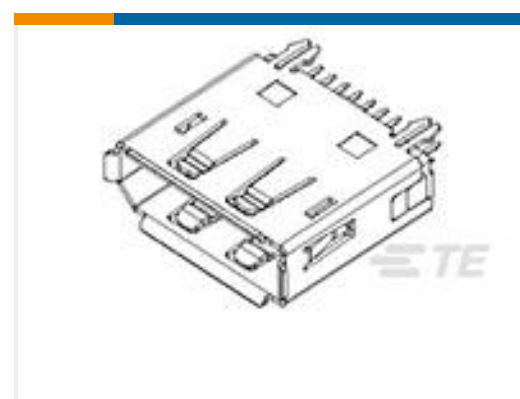


Also in the Series | **SlimSeal Connectors Headers**



Plug & Socket Lighting Connectors(33)

Customers Also Bought

TE Part #5499923-6
A/L UNIV HDR 26P VERT LG LATTE Part #164531-4
9P.HDP20 REC.ASSY.TE Part #8-188275-4
MICRO-MATCH SMD FTETE Part #794617-2
2POS,MICRO MNL,RCPT HSGTE Part #1612898-1
BATTERY BLOCK CONN. PLUG ASSYTE Part #62409-1
250 FASTON TAB TPBRTE Part #5-146282-3
03 MODII HDR SRST B/A .100CLTE Part #2102773-1
DC, 7Row, Center, RTM, MULTIGIG RT 2RTE Part #2313237-2
RAPLUGASSY,MGRT3,POWER,DP,SE, CENTERTE Part #2041441-2
DP 20P V/T DIP 15u" Au, 2.5 tails

Documents

Product Drawings

[Assembly, Vertical SMT Header, 2-Positio](#)

English

CAD Files

[3D PDF](#)

3D

[Customer View Model](#)

[ENG_CVM_CVM_2106053-2_B_c-2106053-2-b.2d_dxf.zip](#)



English

Customer View Model

[ENG_CVM_CVM_2106053-2_B_c-2106053-2-b.3d_igs.zip](#)

English

Customer View Model

[ENG_CVM_CVM_2106053-2_B_c-2106053-2-b.3d_stp.zip](#)

English

By downloading the CAD file I accept and agree to the [Terms and Conditions](#) of use.

Datasheets & Catalog Pages

[SLIMSEAL_SSL_CONNECOTS](#)

English

Product Specifications

[Application Specification](#)

English

Agency Approvals

[UL Report](#)

English