

# CA-1RP1N8A6L00 - Device connector front mounting



1623630

<https://www.phoenixcontact.com/us/products/1623630>

Please be informed that the data shown in this PDF document is generated from our online catalog. Please find the complete data in the user documentation. Our general terms of use for downloads are valid.



M23, Device connector front mounting, series: CA, straight, shielded: yes, for standard and SPEEDCON interlock, No. of pos.: 16+2+FE, Direction of rotation: Standard, contact connection type: Pin, Crimp connection, Axial seal, Central fastening M20 x 1.5, can be positioned via a locking nut, coding: N

## Your advantages

- Safe use in the field, thanks to high degree of protection
- Connector for flexible on-site assembly
- Consistent EMC protection for reliable transmission of signals
- Crimping connection: vibration- and temperature-resistant assembly

## Commercial data

|                                      |                                |
|--------------------------------------|--------------------------------|
| Item number                          | 1623630                        |
| Packing unit                         | 1 pc                           |
| Minimum order quantity               | 1 pc                           |
| Note                                 | Made to order (non-returnable) |
| Sales key                            | AB31                           |
| Product key                          | ABRAEL                         |
| Catalog page                         | Page 99 (C-2-2019)             |
| GTIN                                 | 4055626191416                  |
| Weight per piece (including packing) | 36.3 g                         |
| Weight per piece (excluding packing) | 32 g                           |
| Customs tariff number                | 85366990                       |
| Country of origin                    | DE                             |

# CA-1RP1N8A6L00 - Device connector front mounting



1623630

<https://www.phoenixcontact.com/us/products/1623630>

## Technical data

### Notes

|                    |   |
|--------------------|---|
| Order information: | Order crimp contacts 16 x Ø 1 mm, 2 x Ø 1.5 mm, 1 x Ø 1.5 (PE) separately |
|--------------------|---|

### Product properties

|              |                                   |
|--------------|-----------------------------------|
| Product type | Circular connectors (device side) |
|--------------|-----------------------------------|

### Data management status

|                  |    |
|------------------|----|
| Article revision | 04 |
|------------------|----|

### Connector

#### Insulating body

|   |   |
|---|---|
| Note  | Order information: Order crimp contacts 16x Ø 1 mm, 2x Ø 1.5 mm, 1x Ø 1.5 mm (FE, first) separately |
| Coding  | N   |
| Insulation body material                            | PA 6.6  |
| Insertion/withdrawal cycles                         | 100   |
| Connection method                                   | Crimp connection  |
| Contact switching type                              | Pin   |
| Application   | Signal  |
| Number of positions                                 | 19  |
| Direction of rotation                               | Standard  |
| Connection profile                                  | 16+2+FE   |
| Contact diameter <b>Power contacts</b>              | 1.5 mm  |
| Litz wire cross-section <b>Power contacts</b> min.  | 0.08 mm <sup>2</sup>  |
| Litz wire cross-section <b>Power contacts</b> max.  | 1 mm <sup>2</sup>   |
| Rated current <b>Power contacts</b>                 | 10 A  |
| Note  | for max. connection cross section   |
| Rated voltage                                       | 48 V AC<br>74 V DC  |
| Rated surge voltage                                 | 1.5 kV  |
| Overvoltage category                                | II  |
| Degree of pollution                                 | 3   |
| Contact diameter <b>Signal contacts</b>             | 1 mm  |
| Litz wire cross-section <b>Signal contacts</b> min. | 0.08 mm <sup>2</sup>  |
| Litz wire cross-section <b>Signal contacts</b> max. | 1 mm <sup>2</sup>   |
| Nominal current per signal contact                  | 8 A   |
| Rated voltage Signal contact                        | 48 V AC   |
| Rated surge voltage                                 | 1.5 kV  |

# CA-1RP1N8A6L00 - Device connector front mounting



1623630

<https://www.phoenixcontact.com/us/products/1623630>

|                      |        |
|----------------------|--------|
| Overvoltage category | III    |
| Degree of pollution  | 3      |
| Installation height  | 2000 m |

## Housing

|                                   |  |
|-----------------------------------|--|
| Housing material                  | Turned parts: copper zinc alloy (CuZn), die-cast parts: zinc (GD-Zn) |
| Type of locking                   | for standard and SPEEDCON interlock                                  |
| Pg screw connection               | none   |
| Degree of protection (plugged in) | IP67   |
| Thread type                       | M23  |

# CA-1RP1N8A6L00 - Device connector front mounting

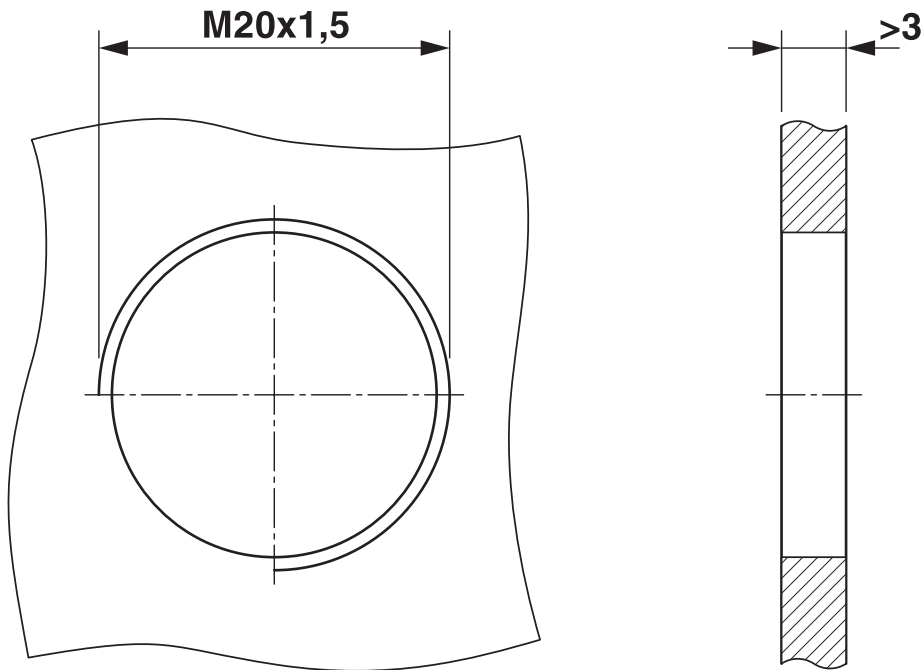


1623630

<https://www.phoenixcontact.com/us/products/1623630>

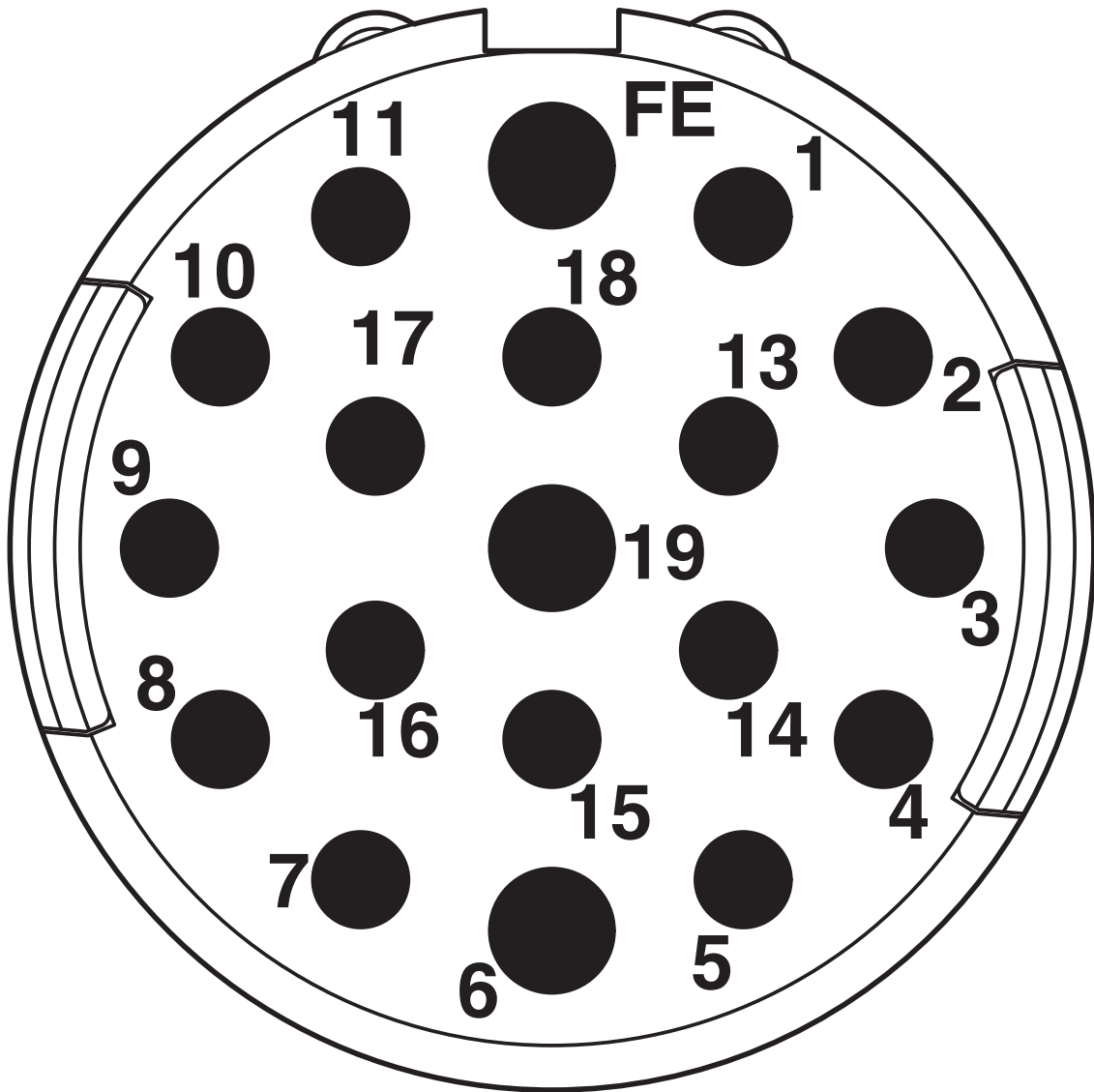
## Drawings

Dimensional drawing



Installation dimensions

Schematic diagram



Connector pin assignment

# CA-1RP1N8A6L00 - Device connector front mounting





1623630

<https://www.phoenixcontact.com/us/products/1623630>

## Approvals

To download certificates, visit the product detail page: <https://www.phoenixcontact.com/us/products/1623630>

|  <b>cUL Recognized</b><br>Approval ID: E335019-20141210 |                       |                       |                   |                             |
|--|-----------------------|-----------------------|-------------------|-----------------------------|
|  | Nominal voltage $U_N$ | Nominal current $I_N$ | Cross section AWG | Cross section $\text{mm}^2$ |
| Power  | 48 V                  | 6 A                   | 18 - 18           | -                           |
| Signal   | 48 V                  | 5 A                   | 18 - 18           | -                           |

|  <b>UL Recognized</b><br>Approval ID: E335019-20141210 |                       |                       |                   |                             |
|---|-----------------------|-----------------------|-------------------|-----------------------------|
|   | Nominal voltage $U_N$ | Nominal current $I_N$ | Cross section AWG | Cross section $\text{mm}^2$ |
| Power   | 48 V                  | 10 A                  | 18 - 18           | -                           |
| Signal  | 48 V                  | 8 A                   | 18 - 18           | -                           |

| <b>cULus Recognized</b> |  |  |  |  |
|-------------------------|--|--|--|--|
|-------------------------|--|--|--|--|

# CA-1RP1N8A6L00 - Device connector front mounting



1623630

<https://www.phoenixcontact.com/us/products/1623630>

## Classifications

### ECLASS

|             |          |
|-------------|----------|
| ECLASS-11.0 | 27440102 |
| ECLASS-12.0 | 27440116 |
| ECLASS-13.0 | 27440116 |

### ETIM

|          |          |
|----------|----------|
| ETIM 9.0 | EC002635 |
|----------|----------|

### UNSPSC

|             |          |
|-------------|----------|
| UNSPSC 21.0 | 39121400 |
|-------------|----------|

1623630

<https://www.phoenixcontact.com/us/products/1623630>

## Environmental product compliance

### EU RoHS

|   |      |
|---|------|
| Fulfills EU RoHS substance requirements | Yes  |
| Exemption                               | 6(c) |

### China RoHS

|  |   |
|--|---|
| Environment friendly use period (EFUP) | EFUP-50   |
|  | An article-related China RoHS declaration table can be found in the download area for the respective article under "Manufacturer declaration". For all articles with EFUP-E, no China RoHS declaration table issued and required. |

### EU REACH SVHC

|                                     |                                      |
|-------------------------------------|--------------------------------------|
| REACH candidate substance (CAS No.) | Lead(CAS: 7439-92-1)                 |
| SCIP                                | 6523dca4-170e-4441-9dd6-c91e5346b42b |

Phoenix Contact 2024 © - all rights reserved

<https://www.phoenixcontact.com>

Phoenix Contact USA  
586 Fulling Mill Road  
Middletown, PA 17057, United States  
(+717) 944-1300  
[info@phoenixcon.com](mailto:info@phoenixcon.com)