

A1 series

Pushbutton switches & indicators

Distinctive features and specifications

A1_AX1609US



- Panel Sealed to IP65
- Single pole to four pole changeover
- Custom chemically etched actuator
- Push on tab terminals
- 6A 250VAC

ELECTRICAL SPECIFICATIONS

- **Current/Voltage Rating** : 10mA 5VAC min, 6A 250VAC, 6A 12VDC
- **Initial Contact Resistance** : 10mΩ max at 1A 4VDC
- **Insulation Resistance** : 50MΩ min
- **Dielectric Strength** : 750V between open contacts, 5KV live to accessible
- **Electrical Life** : 50,000 cycles min
- **Contact Gap** : >1mm (0.039)
- **Insulation** : Class 2
- **Lamp Life** : LED, 60,000 hours to 75% relative luminosity filament, approx. 5000 hours neon, approx. 10,000 hours

MECHANICAL SPECIFICATIONS

- **Mechanical Life (operator)**: Momentary, 1 million cycles, maintained 100,000 cycles
- **Lamp** : Midget grove T1 ¼ filament, neon or LED
- **Terminals** : Solder/quick connect 2.8mm (0.110)

GENERAL SPECIFICATIONS

- **Operating Temperature** : -20°C to +55°C
- **Solder Heat resistance** : 350°C for 5 seconds
- **Sealing** : Panel sealed to IP65, rear of panel IP40

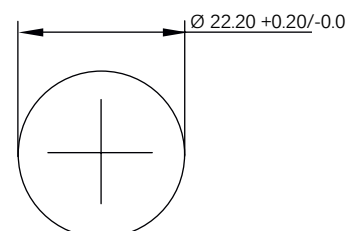
AGENCY APPROVALS



MATERIALS

- **Screens** : Anodised aluminium
- **Reflector Assembly** : Polycarbonate
- **Operator** : PBT
- **Bezel** : Anodised aluminium
- **Nut** : ABS
- **Camtrack Momentary** : PPE
- **Camtrack Maintained** : PPSU
- **Switch Block 1 & 2 Pole** : PBT
- **Switch Block 3 & 4 Pole** : PEI
- **Contacts** : Gold plated silver

PANEL CUT OUT



Dimensions : first dimensions are in mm while inches are shown in brackets. Refer to the following pages for further information.



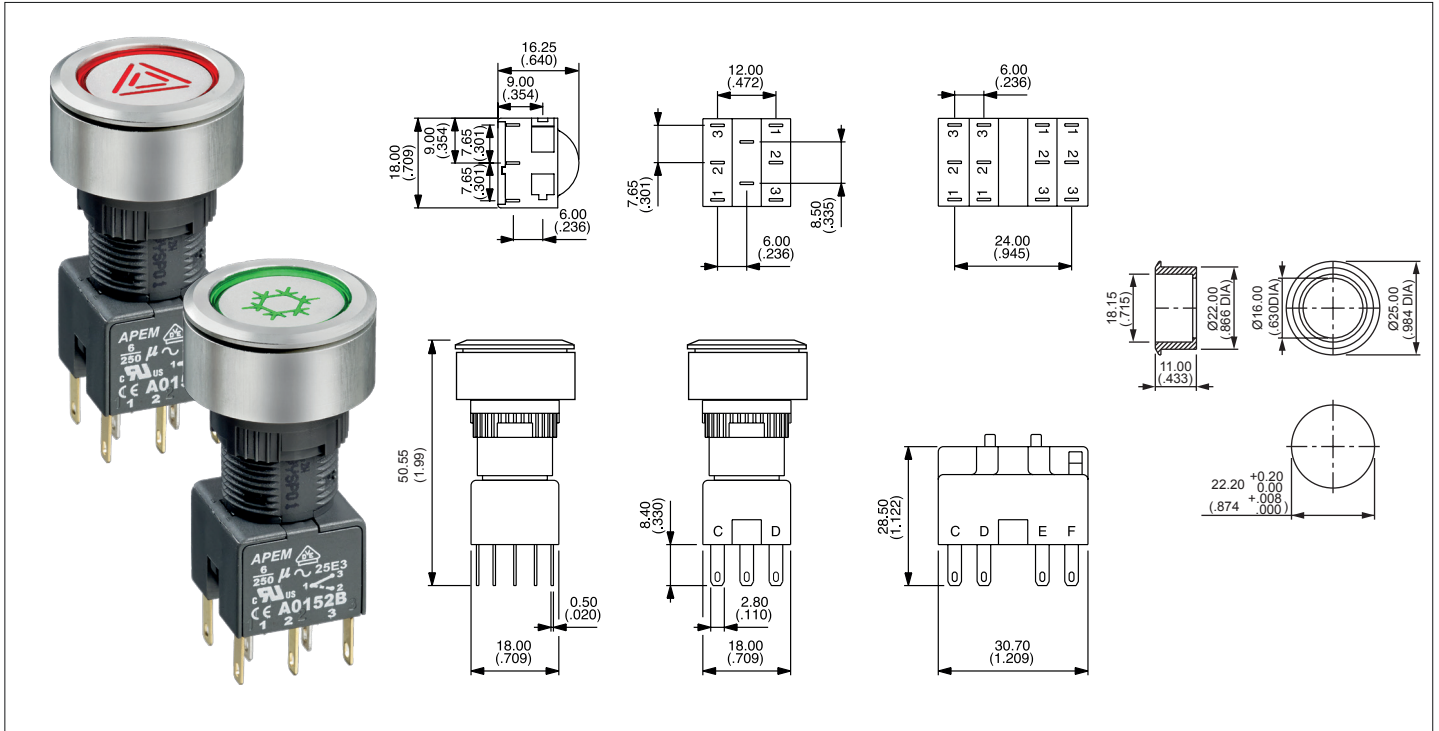
Mounting accessories : standard hardware 1 nut and 1 sealing washer.

A1 series

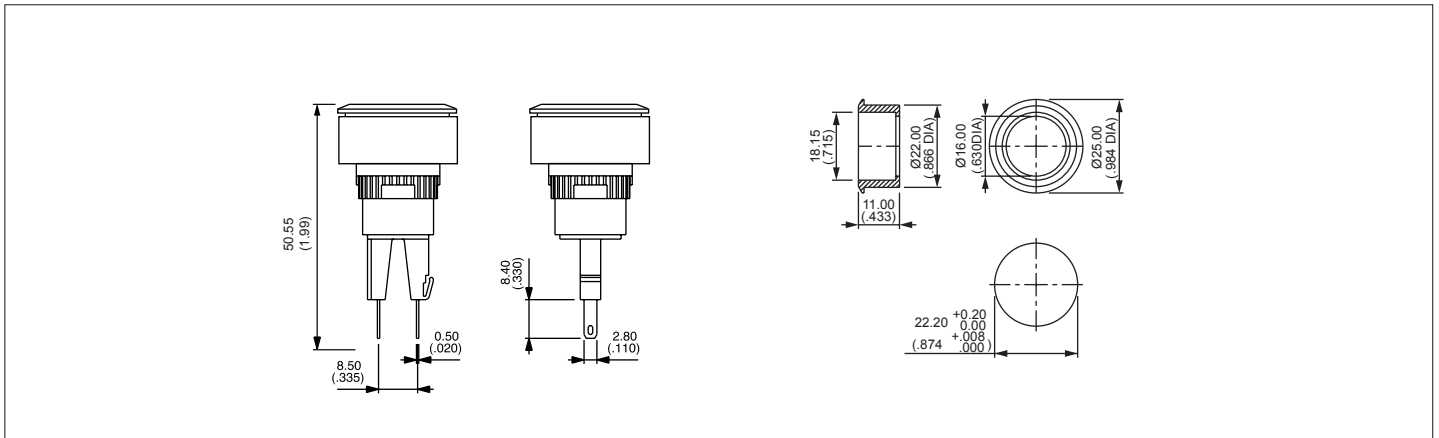
Pushbutton switches & indicators

Panel cut-out Ø22 (0.866)

Pushbutton



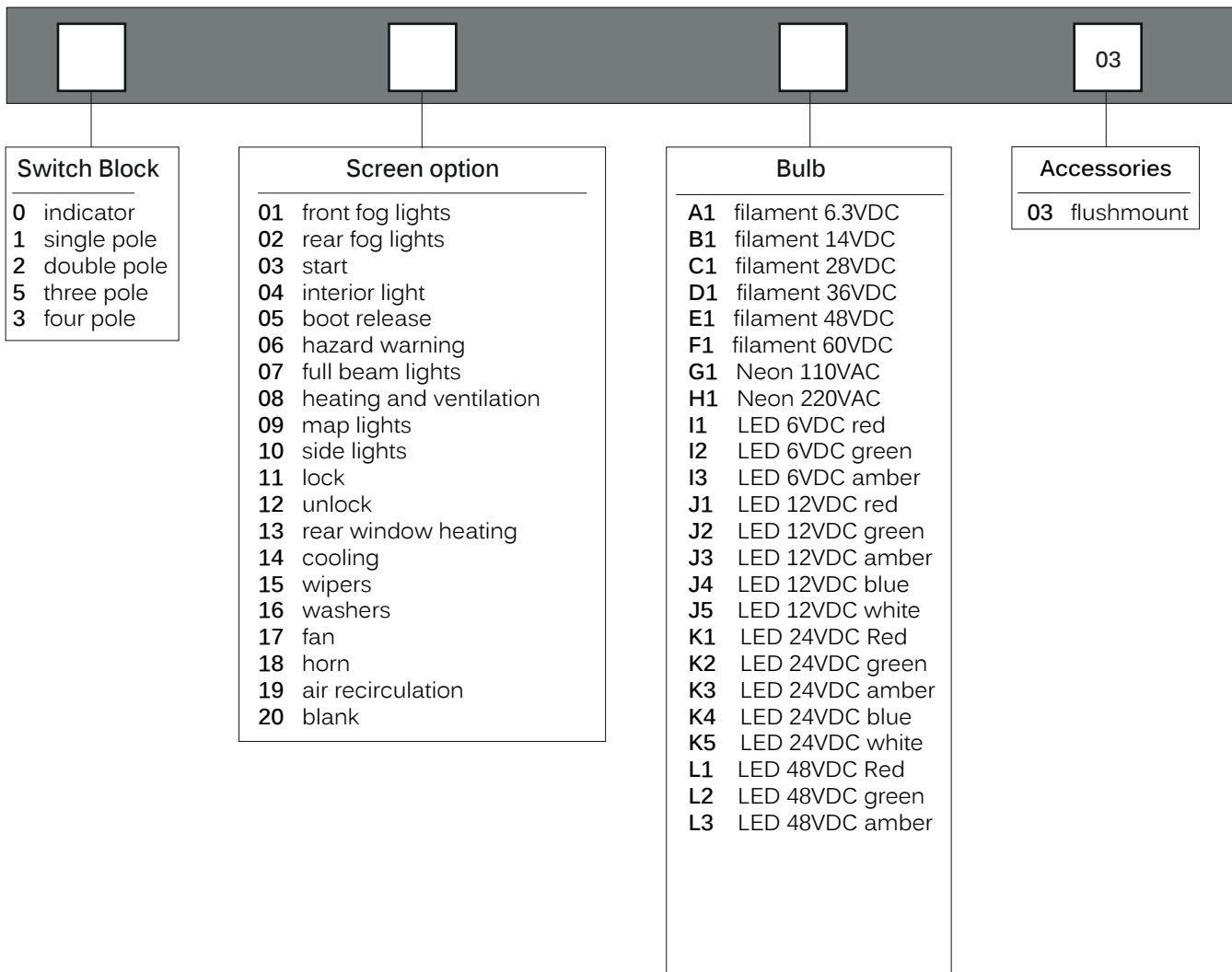
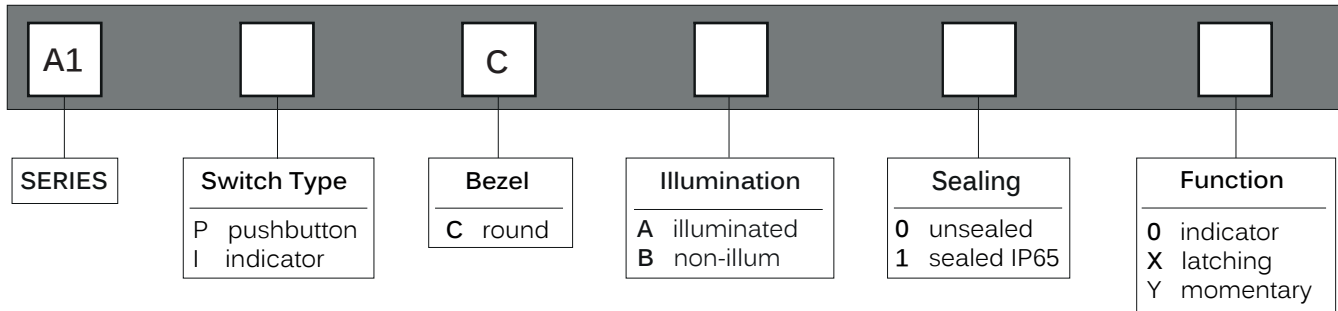
Indicator



A1 series

Pushbutton switches & indicators

Overview



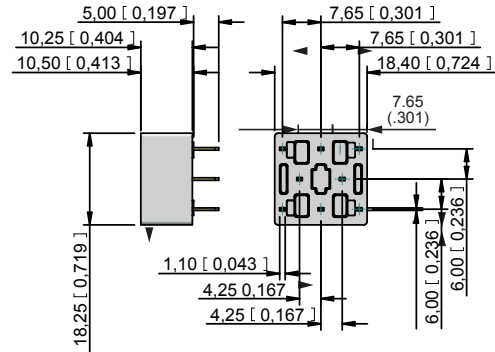
A1 series

Pushbutton switches & indicators

Accessories

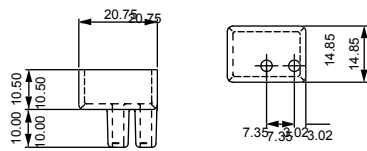
PCB Sockets

Number of Poles	Part No.
Single pole, non illuminated :	A01PC1
Double pole, non illuminated :	A01PC2
Single pole, illuminated :	A01PC3
Double pole, illuminated :	A01PC4
Indicator :	A01PC5



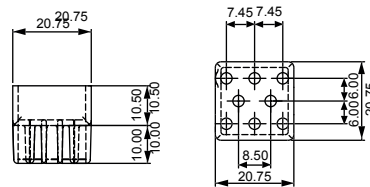
Terminal guards

Two way



Part number A01RTC2

Eight way



Part number A01RTC8

Tools

Nut fixing key



30-0001

Bulb remover



30-0002

Mouser Electronics

Authorized Distributor

Click to View Pricing, Inventory, Delivery & Lifecycle Information:

[Apem:](#)

[A0141A](#) [A01FM1](#) [A01YL1](#) [A0152B](#) [A0150B](#) [A0151B](#) [A0154B](#) [A0155B](#) [A0153B](#) [A0143G](#) [A0141C](#) [A0172](#) [A0171](#)
[A01ES](#) [A02503](#) [A0162B](#) [A0162J](#) [A0162F](#) [A0162C](#) [A0162E](#) [A0101Y](#) [A0101X](#) [A0263B](#) [A0244J1](#) [A0142N1](#)
[A0142N5](#) [A0142M1](#) [A01PEESSP34L](#) [A0210X](#) [A0211X](#) [A0161E](#) [A0161B](#) [A01ESSP3](#) [A018323](#) [A1PCA1Y220J403](#)
[A01FM2](#) [A0102X](#) [A0102Y](#) [A0104Y](#) [A0106X](#) [A0106Y](#) [A0107X](#) [A0107Y](#) [A0108X](#) [A0108Y](#) [A0109Y](#) [A0111X](#)
[A0111Y](#) [A0112X](#) [A0112Y](#) [A0141B](#) [A0141D](#) [A0141E](#) [A0141F](#) [A0142L1](#) [A0142L2](#) [A0142L3](#) [A0142M2](#) [A0142M3](#)
[A0142M4](#) [A0142M5](#) [A0142N3](#) [A0142N4](#) [A0142P1](#) [A0142P2](#) [A0143H](#) [A0161A](#) [A0161C](#) [A0161D](#) [A0161F](#)
[A0161G](#) [A0161J](#) [A0162A](#) [A0162D](#) [A0162G](#) [A0163A](#) [A0163B](#) [A0163C](#) [A0163D](#) [A0163E](#) [A0163F](#) [A0163G](#)
[A0163J](#) [A0173](#) [A018107](#) [A019105](#) [A019205](#) [A019301](#) [A019306](#) [A019501](#) [A019505](#) [A019506](#) [A019508](#) [A019601](#)
[A019605](#) [A019606](#) [A01FG1](#) [A01FG2](#) [A01FM](#) [A01FMM](#)