

UG1410A



- Sealed**
  - Single piece case
  - Epoxy sealed terminals
- Wide variety of contact materials**
- Same PCB layout as TL, TP and TR tiny series**

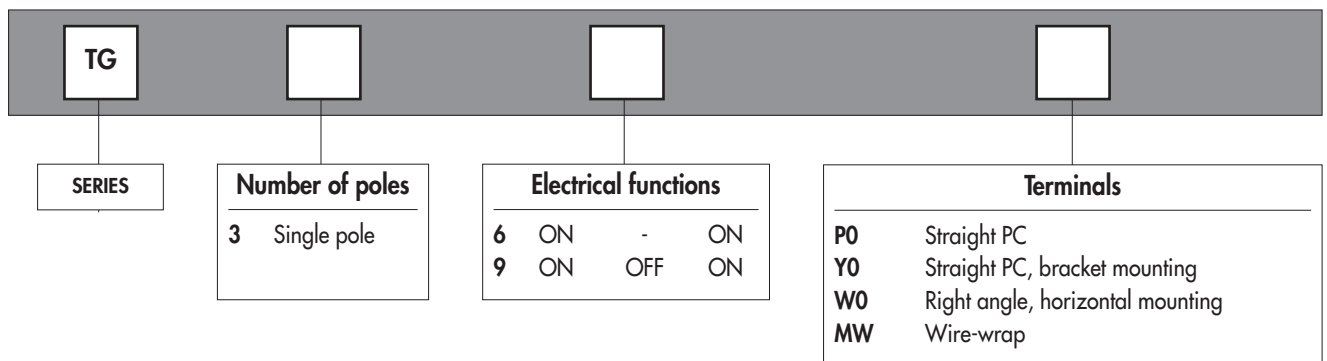
### SPECIFICATIONS

- Current/voltage rating with resistive load :
  - Gold plated contacts : 0,4VA 20V max. AC or DC.
  - Silver plated contacts : 0,5A 48V max. AC or DC
- Contact resistance : 20 mΩ max.
- Insulation resistance : 1.000 MΩ min. at 500VDC
- Dielectric strength : 1.000 Vrms 50 Hz min. between terminals and frame  
500 Vrms 50 Hz min. between terminals
- Electrical life at full load : 2 position switches : 60.000 cycles  
3 position switches : 30.000 cycles
- Travel : 2,60 mm (.102)
- Operating temperature : -30°C to +85°C
- Cleaning : solvents or water + detergent
- Wave soldering : 260°C - 5 sec. max.

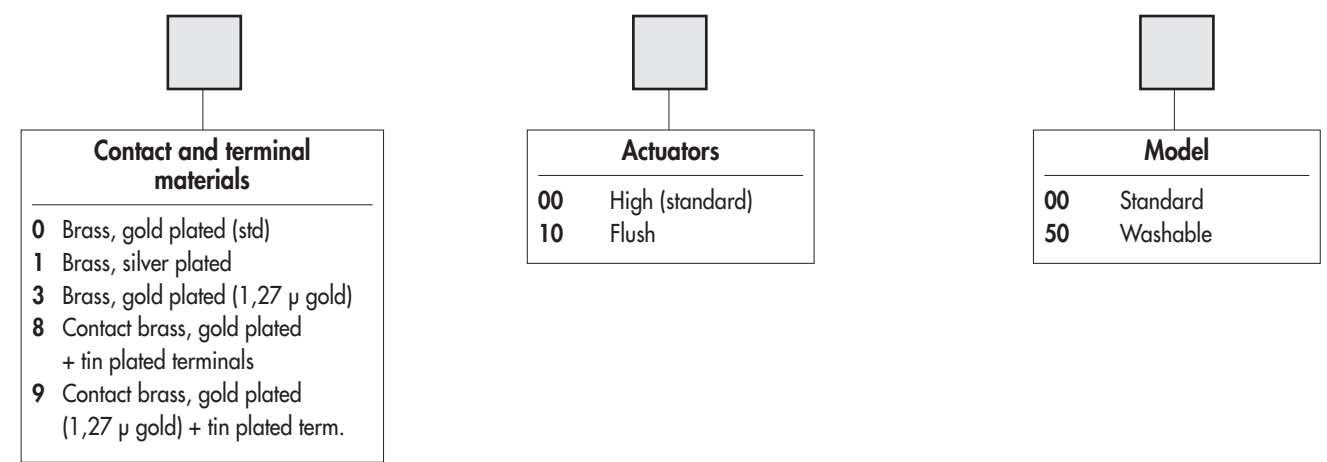
### MATERIALS

- Case : flame retardant thermoplastic
- Actuator : thermoplastic
- Ground plate and bracket : brass, tin plated
- Contacts and terminals : see above
- Rubber seal : silicone, transparent
- Terminal seal : epoxy

MODEL STRUCTURE



OPTIONS



**Dimensions** : First dimensions are in mm while inches are shown as bracketed numbers.



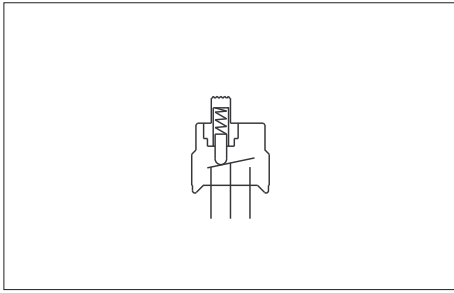
**Packaging unit** : 100 pieces, except for models with right angle terminals (50 pieces)

The company reserves the right to change specifications without notice.

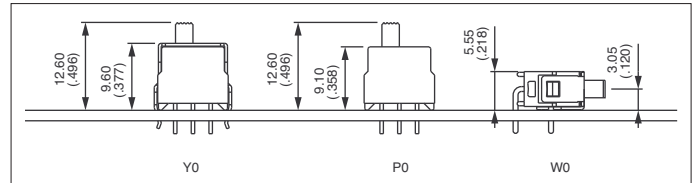
# TG series

## Tiny slide switches

Standard or washable



- Straight PC, right angle or wire-wrap terminals
- Single pole
- The silicone rubber seal can be removed after cleaning.



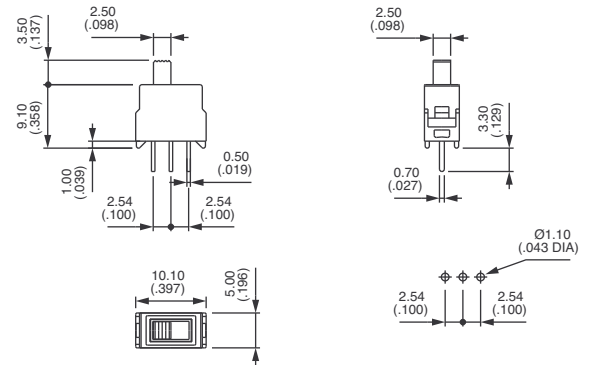
To complete the following part numbers, refer to "Overview" and replace the • symbol with one of the options proposed under "Contact and terminal materials".

### Straight PC terminals - standard model



TG36P0•0000  
TG39P0•0000

ON - ON  
ON OFF ON

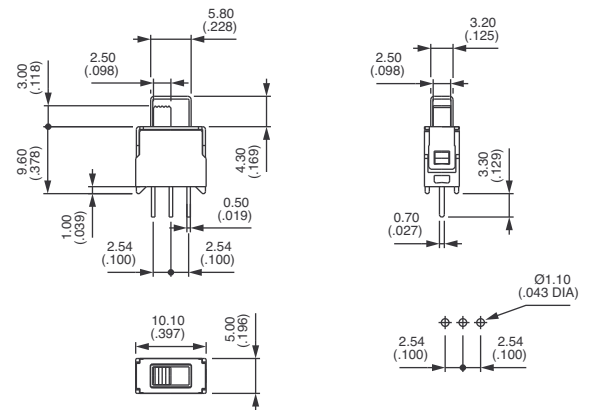


### Straight PC terminals - washable model



TG36P0•0050  
TG39P0•0050

ON - ON  
ON OFF ON

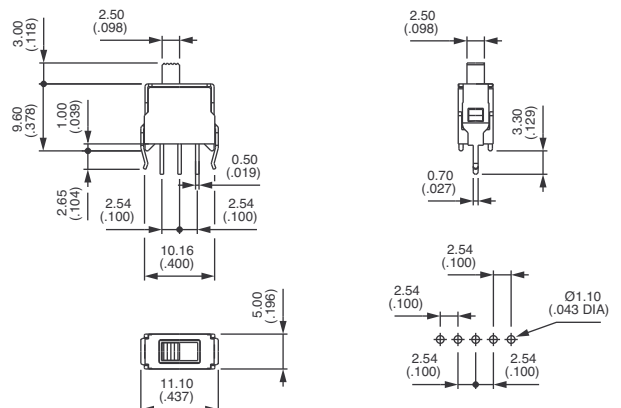


### Straight terminals - bracket mounting - standard model



TG36Y0•0000  
TG39Y0•0000

ON - ON  
ON OFF ON



E

# TG series

## Tiny slide switches

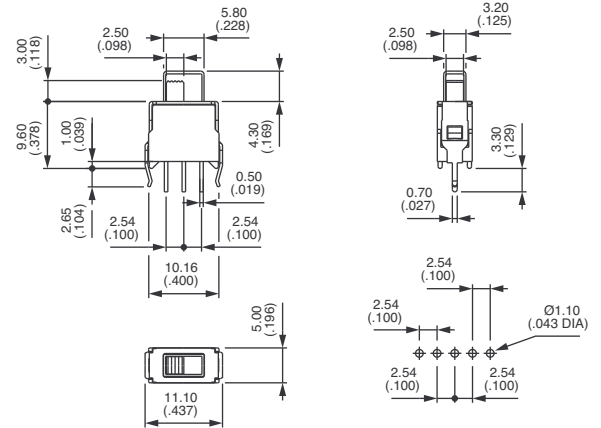
Standard or washable

### Straight terminals - bracket mounting - washable model



TG36Y0•0050  
TG39Y0•0050

ON - ON  
ON OFF ON

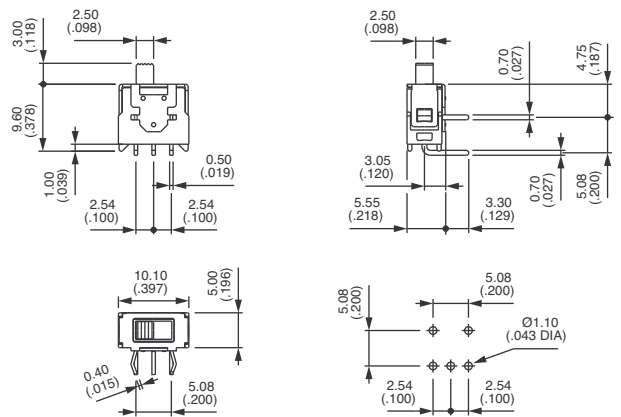


### Right angle terminals - horizontal mounting - standard model



TG36W0•0000  
TG39W0•0000

ON - ON  
ON OFF ON

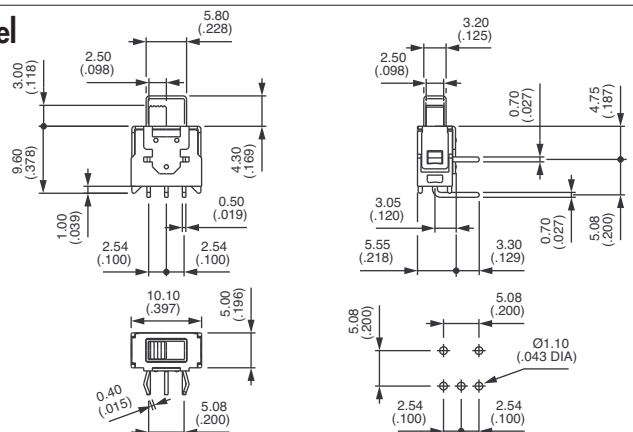


### Right angle terminals - horizontal mounting - washable model



TG36W0•0050  
TG39W0•0050

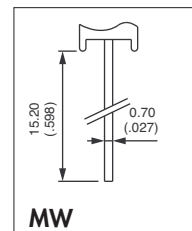
ON - ON  
ON OFF ON



### OTHER CONFIGURATIONS

MW Wire-wrap terminals

10 Flush actuator



# Mouser Electronics

Authorized Distributor

Click to View Pricing, Inventory, Delivery & Lifecycle Information:

## [Apem:](#)

[TG36P000050](#) [TG39W000050](#) [TG39P000000](#) [TG36W000000](#) [TG39P000050](#) [TG36W000050](#) [TG39W000000](#)  
[TG36P000000](#) [TG36P005000](#) [TG36P010000](#) [TG36P010050](#) [TG36W010000](#) [TG36W010050](#) [TG36WS80050](#)  
[TG36WS80065](#) [TG36Y000000](#) [TG36Y000050](#) [TG36Y010050](#) [TG39P001000](#) [TG39P010000](#) [TG39P010050](#)  
[TG39W010000](#) [TG39W010050](#) [TG39WS80050](#) [TG39WS80065](#) [TG39Y000000](#) [TG39Y010000](#)