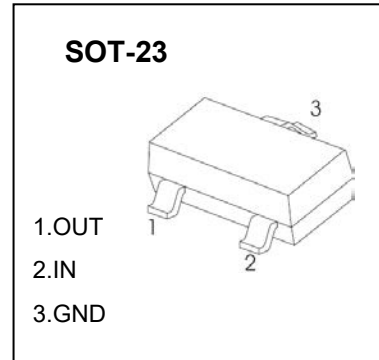


**SOT-23 Encapsulate Three-terminal Voltage Regulator**

**CJ75L05** Three-terminal positive voltage regulator

**FEATURES**

- Maximum output current  
I<sub>o</sub>: 100mA
- Output voltage  
V<sub>o</sub>: 5 V
- Continuous total dissipation  
P<sub>D</sub>: Internal limited



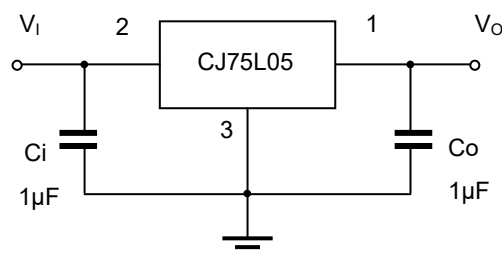
**ABSOLUTE MAXIMUM RATINGS (Operating temperature range applies unless otherwise specified)**

Parameter	Symbol	Value	Unit
Input Voltage Range	V <sub>I</sub>	-0.3~+40	V
Operating Ambient Temperature Range	T <sub>OPR</sub>	-40~+85	°C
Storage Temperature Range	T <sub>STG</sub>	-55~+150	°C

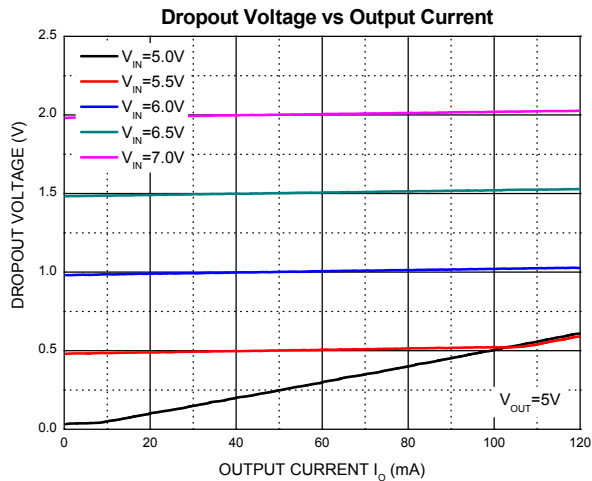
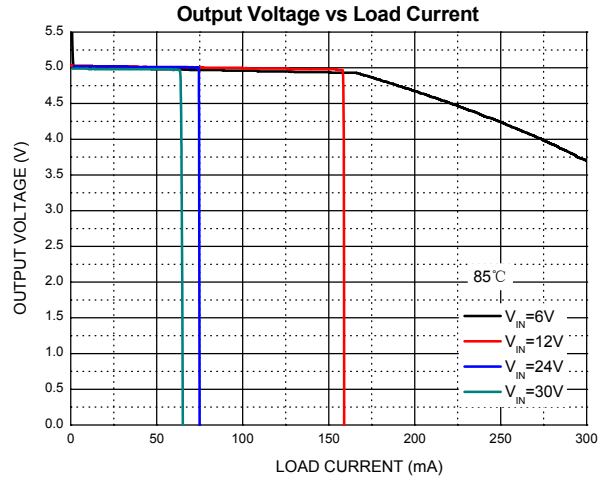
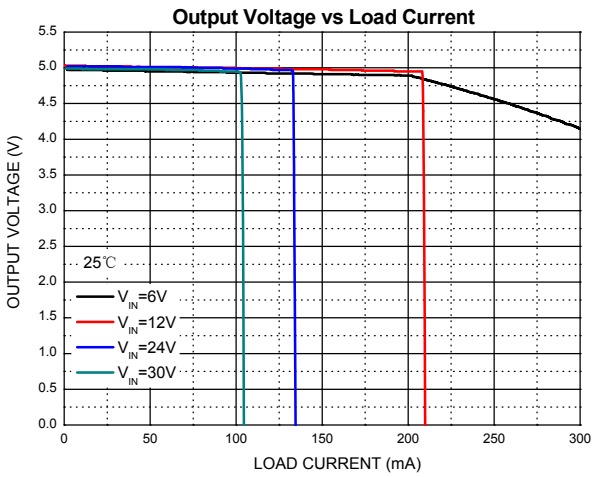
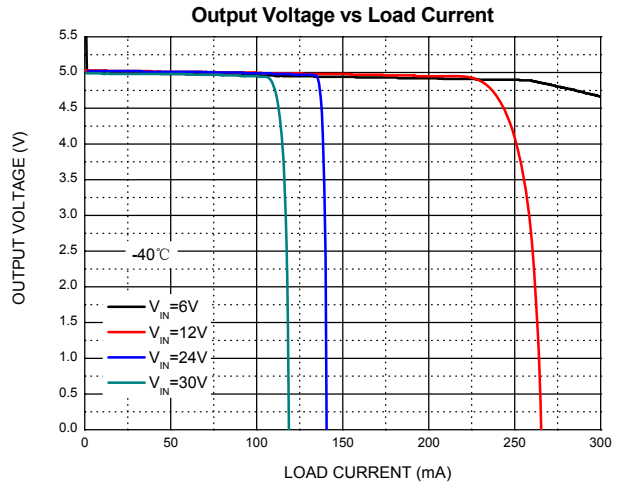
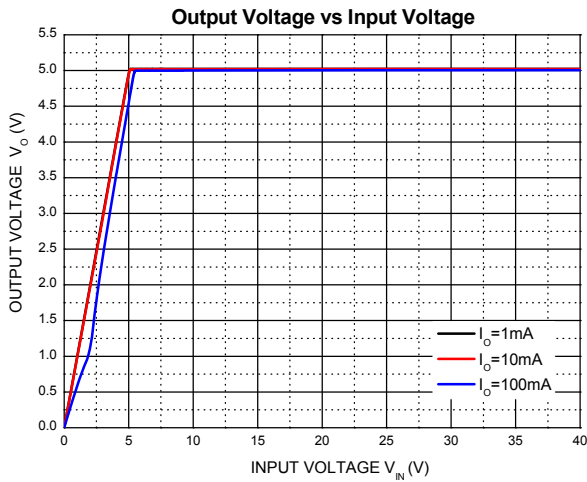
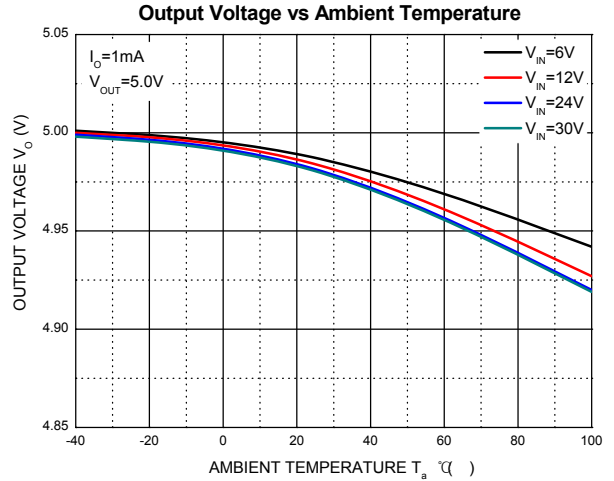
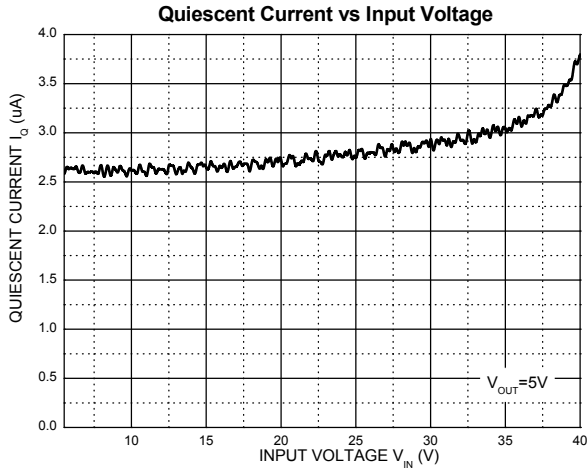
**ELECTRICAL CHARACTERISTICS (V<sub>I</sub>=7V, C<sub>i</sub>=C<sub>o</sub>=1μF, T<sub>a</sub>=25°C unless otherwise specified )**

Parameter	Symbol	Test conditions	Min	Typ	Max	Unit
Input voltage	V <sub>I</sub>		2.5		36	V
Output voltage	V <sub>O</sub>	V <sub>I</sub> =7V, I <sub>o</sub> =10mA	4.9	5	5.1	V
Load regulation	ΔV <sub>o</sub>	I <sub>o</sub> =1mA-100mA		10		mV
Line regulation	ΔV <sub>o</sub>	6V≤V <sub>I</sub> ≤36V, V <sub>O</sub> =5V, I <sub>o</sub> =10mA		0.01	0.3	%/V
Quiescent current	I <sub>q</sub>	V <sub>I</sub> =7V, No load		2	5	μA
Dropout Voltage	V <sub>d</sub>	I <sub>o</sub> =100mA, V <sub>OUT</sub> =5V		500		mV
Output noise voltage	V <sub>N</sub>	BW=10Hz to 100kHz		135		μV <sub>RMS</sub>
Ripple rejection	RR	V <sub>I</sub> =7V, V <sub>PP</sub> =0.5V, I <sub>o</sub> =1mA	f=100Hz	80		dB
			f=1kHz	70		
			f=10kHz	60		
			f=100kHz	40		
Short current	I <sub>SC</sub>	V <sub>OPUT</sub> =V <sub>SS</sub>		25		mA
Output Current Limit	I <sub>PK</sub>	V <sub>OUT</sub> = 0.5xV <sub>OUT(Normal)</sub> , V <sub>IN</sub> =5V	250	400		mA
Thermal protection	T <sub>SD</sub>	I <sub>o</sub> =1mA		150		°C
Thermal protection Hys	T <sub>SD_HYS</sub>	I <sub>o</sub> =1mA		20		°C
Temperature coefficient	ΔV <sub>o</sub> /ΔT	I <sub>o</sub> =1mA		±0.5		mV/°C

**TYPICAL APPLICATION**



# Typical Characteristics



## SOT-23 Package Outline Dimensions



Symbol	Dimensions In Millimeters		Dimensions In Inches	
	Min	Max	Min	Max
A	0.900	1.150	0.035	0.045
A1	0.000	0.100	0.000	0.004
A2	0.900	1.050	0.035	0.041
b	0.300	0.500	0.012	0.020
c	0.080	0.150	0.003	0.006
D	2.800	3.000	0.110	0.118
E	1.200	1.400	0.047	0.055
E1	2.250	2.550	0.089	0.100
e	0.950 TYP		0.037 TYP	
e1	1.800	2.000	0.071	0.079
L	0.550 REF		0.022 REF	
L1	0.300	0.500	0.012	0.020
θ	0°	8°	0°	8°

## SOT-23 Suggested Pad Layout



**Note:**

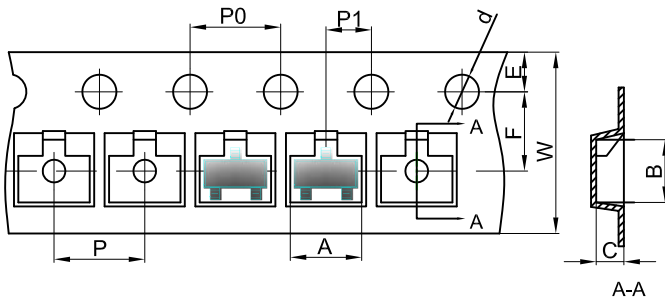
1. Controlling dimension: in millimeters.
2. General tolerance:  $\pm 0.05\text{mm}$ .
3. The pad layout is for reference purposes only.

**NOTICE**

JSCJ reserves the right to make modifications, enhancements, improvements, corrections or other changes without further notice to any product herein. JSCJ does not assume any liability arising out of the application or use of any product described herein.

# SOT-23 Tape and Reel

## SOT-23 Embossed Carrier Tape



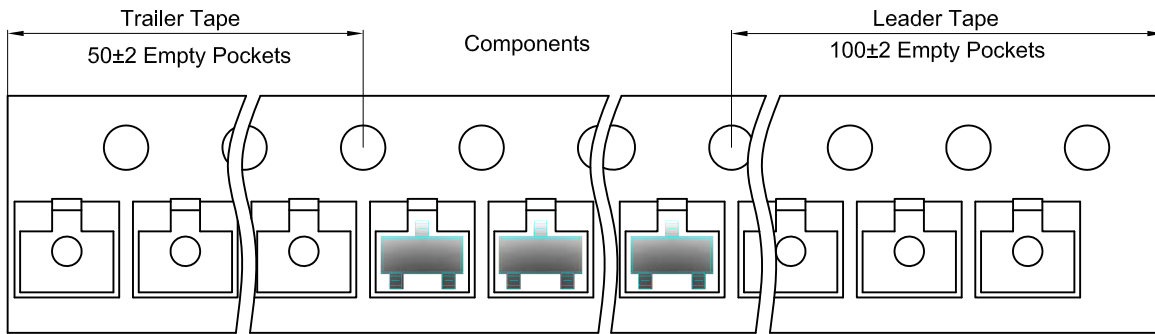
### Packaging Description:

SOT-23 parts are shipped in tape. The carrier tape is made from a dissipative (carbon filled) polycarbonate resin. The cover tape is a multilayer film (Heat Activated Adhesive in nature) primarily composed of polyester film, adhesive layer, sealant, and anti-static sprayed agent. These reeled parts in standard option are shipped with 3,000 units per 7" or 17.8cm diameter reel. The reels are clear in color and is made of polystyrene plastic (anti-static coated).

Dimensions are in millimeter

Pkg type	A	B	C	d	E	F	P0	P	P1	W
SOT-23	3.15	2.77	1.22	Ø1.50	1.75	3.50	4.00	4.00	2.00	8.00

## SOT-23 Tape Leader and Trailer



## SOT-23 Reel



Dimensions are in millimeter

Reel Option	D	D1	D2	G	H	I	W1	W2
7"Dia	Ø178.00	54.40	13.00	R78.00	R25.60	R6.50	9.50	12.30

REEL	Reel Size	Box	Box Size(mm)	Carton	Carton Size(mm)	G.W.(kg)
3000 pcs	7 inch	45,000 pcs	203×203×195	180,000 pcs	438×438×220	