

# DATA SHEET

GAS DISCHARGE TUBES  
TELEPHONE INTERFACE

2R-8x6(T6) series

RoHS compliant & free



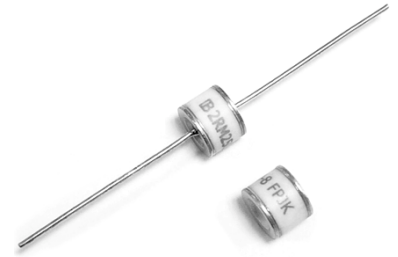
Product specification— July 12, 2023 V.1



## Gas Discharge Tube (GDT) Data Sheet

### Features

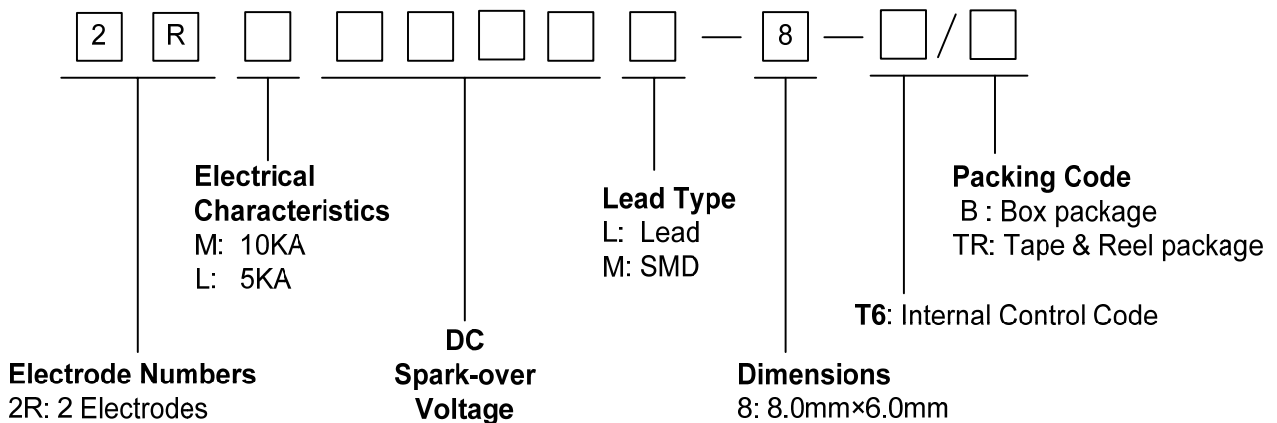
- Provide ultra-fast response to surge voltage from slow-rising surge of 100V/s to rapid-rising surge of 1KV/μs
- Stable breakdown voltage
- High insulation resistance
- Low capacitance (≤1.5pF)
- High holdover voltage
- Large absorbing transient current capability
- Micro-Gap Design
- Size: 8.0mm\*6.0mm
- Storage and operating temperature: -40°C ~ +85°C
- Meets MSL level 1, per J-STD-020
- Safety certification: UL



### Applications

- Repeaters, Modems
- Telephone Interface, Line cards
- Data communication equipment
- Line test equipment

### Part Number Code



Ordering Code	Lead type	Package
2RMXXXL8-T6//B 2RLXXXL8-T6/B	Lead	Box(Tray)
2RMXXXL8-T6/TR 2RLXXXL8-T6/TR	Lead	Tape & Reel
2RMXXXM8-T6 2RLXXXM8-T6	SMD	Tape & Reel

**Marking**

**B** : BrightKing Logo  
 2RM1000-8 : Device Marking Code  
 XXXX : Internal Control Code

**Dimensions**

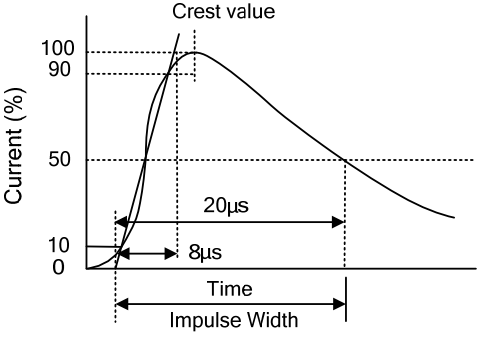
L Type	Symbol	Dimension (mm)		
		Spec.	Tolerance	
	D	8.0	+0.3, -0.5	
	T	6.0	+0.3, -0.5	
	d	0.8	±0.1	
	L	30.0	Max.	
M Type		D	8.0	+0.3, -0.5
		T	6.0	+0.3, -0.5
		B	0.5	±0.1

**Electrical Characteristics**

Part Number ☆	DC Spark-over Voltage	Maximum Impulse Spark-over Voltage	Nominal Impulse Discharge Current	Alternating Discharge Current	Impulse Life	Minimum Insulation Resistance		Maximum Capacitance	AC Withstanding Voltage	Device Marking Code
	100V/s	1000V/μs	8/20μs 10times	50Hz, 1sec	8/20μs 100A	Test Voltage	(GΩ)	1MHz		
	(V)	(V)	(KA)	(A)	(times)	DC(V)		(pF)		
2RM1000X-8-T6	1000±20%	1900	10.0	5.0	300	500	1.0	1.5	-	2RM1000-8
2RM1200X-8-T6	1200±20%	2000	10.0	5.0	300	500	1.0	1.5	-	2RM1200-8
2RM1400X-8-T6	1400±20%	2200	10.0	5.0	300	500	1.0	1.5	-	2RM1400-8
2RM1500X-8-T6	1500±20%	2300	10.0	5.0	300	500	1.0	1.5	-	2RM1500-8
2RM1600X-8-T6	1600±20%	2400	10.0	5.0	300	500	1.0	1.5	-	2RM1600-8
2RL2000X-8-T6	2000±20%	3200	5.0	5.0	300	500	1.0	1.5	-	2RL2000-8
2RL2500X-8-T6	2500±20%	3800	5.0	5.0	300	500	1.0	1.5	AC1250V,1min	2RL2500-8
2RL2700X-8-T6	2700±20%	4000	5.0	5.0	300	1000	1.0	1.5	AC1250V,1min	2RL2700-8
2RL3000X-8-T6	3000±20%	4200	5.0	5.0	300	1000	1.0	1.5	AC1500V,1min	2RL3000-8
2RL3600X-8-T6	3600±20%	5500	5.0	5.0	300	1000	1.0	1.5	AC1800V,1min	2RL3600-8
2RL4000X-8-T6	4000±20%	6000	5.0	5.0	300	1000	1.0	1.5	AC2000V,1min	2RL4000-8

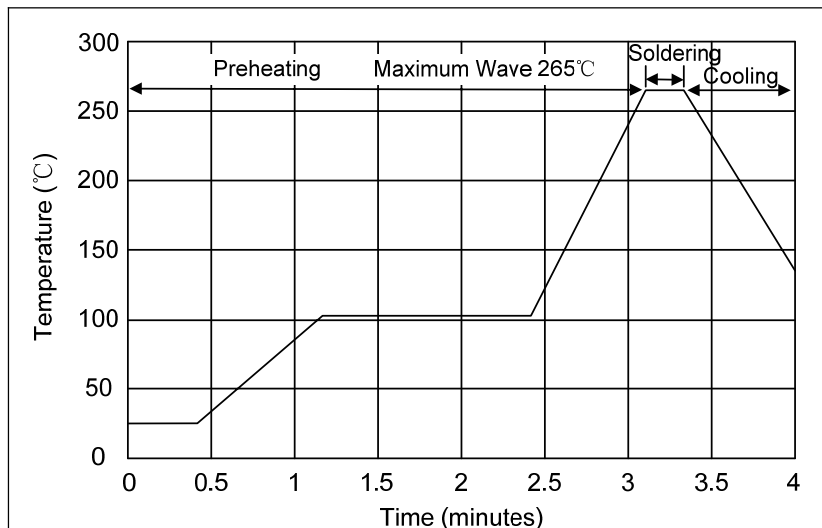
Note: X may be L(Lead type) or M(SMD type)

**Electrical Ratings**

Items	Test Condition/Description	Requirement
DC Spark-over Voltage	The voltage is measured with voltage ramp $dv/dt=100V/s$ .	To meet the specified value
Maximum Impulse Spark-over Voltage	The maximum impulse spark-over voltage is measured with voltage ramp $dv/dt=1000V/\mu s$ .	
Impulse Discharge Current	<p>Maximum <math>8/20\mu s</math> surge current that can be applied between two electrodes, 5 positive and 5 negative surges, with 3 minutes interval time.</p> 	
Alternating Discharge Current	Rated RMS value of AC current at 50Hz, 1 sec. for 10 times with interval time 3 min.	
Insulation Resistance	The resistance of gas tube shall be measured between two electrodes.	
Capacitance	The capacitance of gas tube shall be measured between two electrodes. Test frequency: 1MHz	

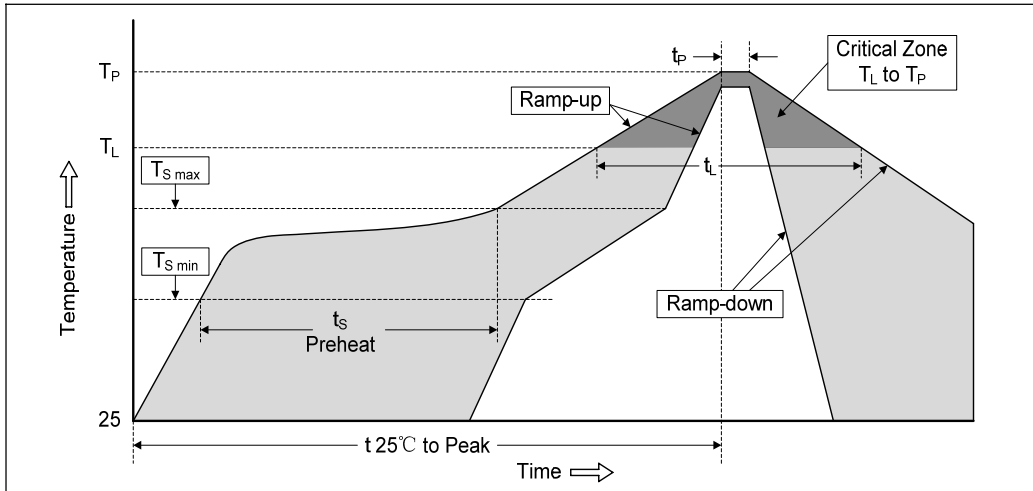
**Recommended Soldering Conditions**

Wave Soldering



Item	Conditions
Peak Temperature	265°C
Dipping Time	10 seconds
Soldering	1 time

**Reflow Soldering**

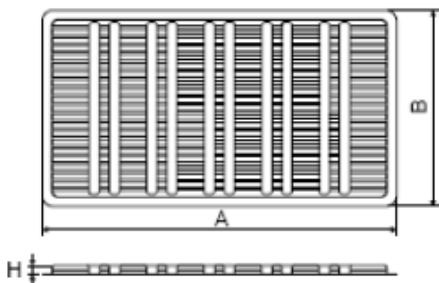


Profile Feature	Pb-Free Assembly
Average ramp-up rate ( $T_L$ to $T_P$ )	3°C/second max.
Preheat -Temperature Min ( $T_{S\ min}$ ) -Temperature Max ( $T_{S\ max}$ ) -Time (min to max) ( $t_s$ )	150°C 200°C 60-180 seconds
$T_{S\ max}$ to $T_L$ -Ramp-up Rate	3°C/second max.
Time maintained above: -Temperature ( $T_L$ ) -Time ( $t_L$ )	217°C 60-150 seconds
Peak Temperature ( $T_P$ )	260°C
Time within 5°C of actual Peak Temperature ( $t_p$ )	20-40 seconds
Ramp-down Rate	6°C/second max.
Time 25°C to Peak Temperature	8 minutes max.

**Packaging**

Axial Packing (Box)

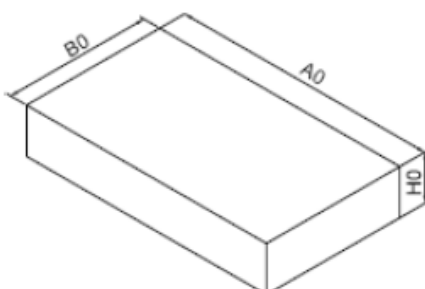
Skin packing



Symbol	Dimension (mm)	
	Spec.	Tolerance
A	267.0	±2.0
B	146.0	±2.0
H	8.5	±1.0

Quantity: 100pcs

Inner box

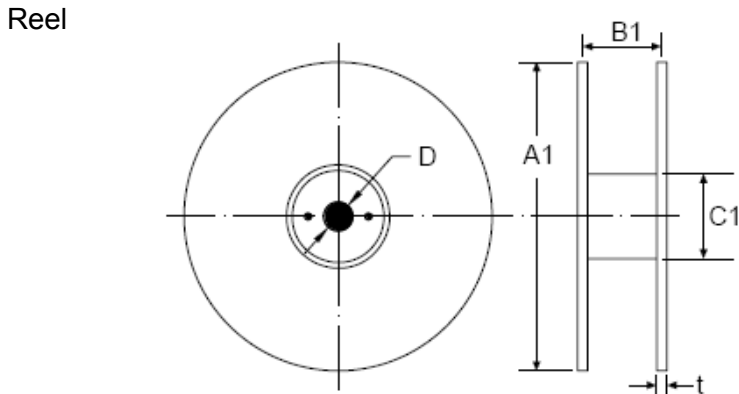
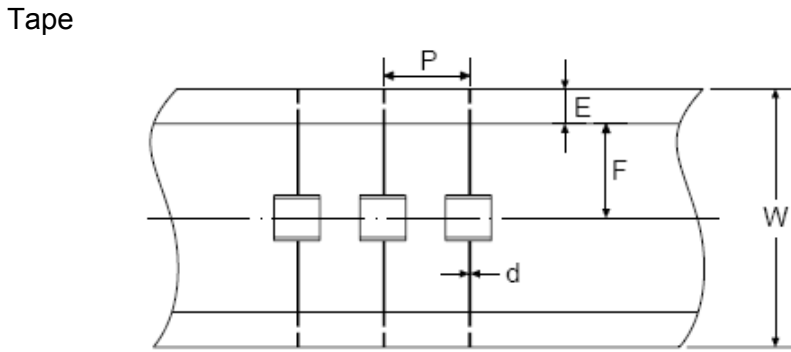


A0	270.0	±2.0
B0	150.0	±2.0
H0	50.0	±2.0

Quantity: 500pcs

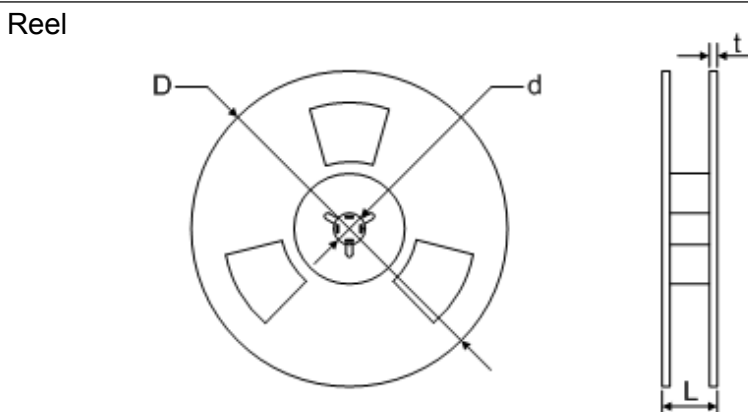
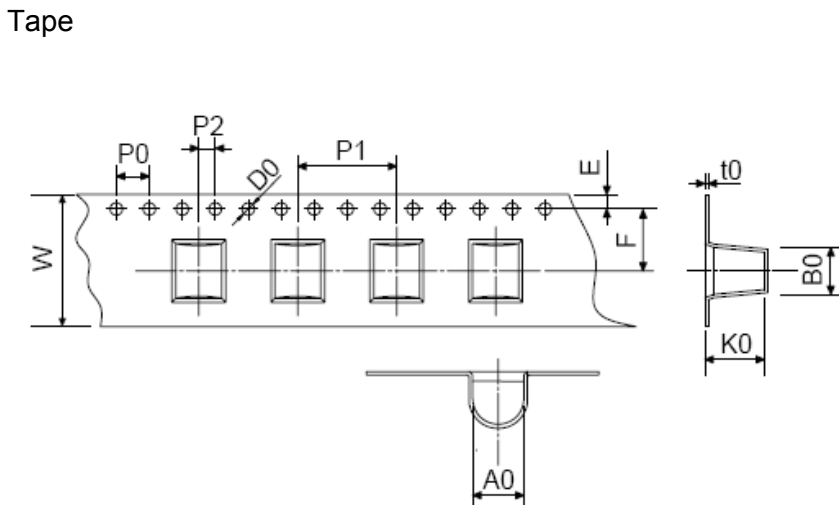
Axial Packing (Tape & Reel)

Symbol	Dimension (mm)	
	Spec.	Tolerance
P	10.0	±0.5
W	65.0	±1.0
E	6.0	±0.5
F	26.5	±0.5
d	0.8	±0.1
A1	330.0	±2.0
B1	70.0	±2.0
C1	82.0	±2.0
D	25.0	±0.5
t	2.0	±0.2
Quantity: 800pcs		



SMD Packing (Tape & Reel)

Symbol	Dimension (mm)	
	Spec.	Tolerance
W	16.00	±0.20
P0	4.00	±0.10
P1	12.00	±0.20
P2	2.00	±0.10
D0	1.55	±0.05
E	1.75	±0.10
F	7.50	±0.10
A0	8.20	±0.10
K0	8.50	±0.10
B0	7.50	±0.10
t0	0.50	±0.10
D	330.00	±2.00
d	13.00	±0.50
L	20.00	±2.00
t	2.00	±0.20
Quantity: 500pcs		



## LEGAL DISCLAIMER

YAGEO, its distributors and agents (collectively, "YAGEO"), hereby disclaims any and all liabilities for any errors, inaccuracies or incompleteness contained in any product related information, including but not limited to product specifications, datasheets, pictures and/or graphics. YAGEO may make changes, modifications and/or improvements to product related information at any time and without notice.

YAGEO makes no representation, warranty, and/or guarantee about the fitness of its products for any particular purpose or the continuing production of any of its products. To the maximum extent permitted by law, YAGEO disclaims (i) any and all liability arising out of the application or use of any YAGEO product, (ii) any and all liability, including without limitation special, consequential or incidental damages, and (iii) any and all implied warranties, including warranties of fitness for a particular purpose, non-infringement and merchantability.

YAGEO products are designed for general purpose applications under normal operation and usage conditions. Please contact YAGEO for the applications listed below which require especially high reliability for the prevention of defects which might directly cause damage to the third party's life, body or property: Aerospace equipment (artificial satellite, rocket, etc.), Atomic energy-related equipment, Aviation equipment, Disaster prevention equipment, crime prevention equipment, Electric heating apparatus, burning equipment, Highly public information network equipment, data-processing equipment, Medical devices, Military equipment, Power generation control equipment, Safety equipment, Traffic signal equipment, Transportation equipment and Undersea equipment, or for any other application or use in which the failure of YAGEO products could result in personal injury or death, or serious property damage. Particularly **YAGEO Corporation and its affiliates do not recommend the use of commercial or automotive grade products for high reliability applications or manned space flight.**

Information provided here is intended to indicate product specifications only. YAGEO reserves all the rights for revising this content without further notification, as long as products are unchanged. Any product change will be announced by PCN.