



Switches > Switch Seals & Accessories > Flip Cover Switch Guard, 08 Toggle Switch, Feed-Through



Switch Accessory Type: **Flip Cover Switch Guard**

Primary Product Color: **Red**

[All Flip Cover Switch Guard, 08 Toggle Switch, Feed-Through \(10\)](#)

Features

Product Type Features

Switch Accessory Type	Flip Cover Switch Guard
-----------------------	-------------------------

Body Features

Primary Product Color	Red
-----------------------	-----

Product Compliance

[For compliance documentation, visit the product page on TE.com>](#)

EU RoHS Directive 2011/65/EU	Compliant
EU ELV Directive 2000/53/EC	Compliant
China RoHS 2 Directive MIIT Order No 32, 2016	No Restricted Materials Above Threshold
EU REACH Regulation (EC) No. 1907/2006	Current ECHA Candidate List: JUNE 2024 (241) Candidate List Declared Against: JUNE 2023 (235) Does not contain REACH SVHC
Halogen Content	Not Yet Reviewed for halogen content
Solder Process Capability	Not reviewed for solder process capability

Product Compliance Disclaimer

This information is provided based on reasonable inquiry of our suppliers and represents our current actual knowledge based on the information they provided. This information is subject to change. The part numbers that TE has identified as EU RoHS compliant have a maximum concentration of 0.1% by weight in homogenous materials for lead, hexavalent chromium, mercury, PBB, PBDE, DBP, BBP, DEHP, DIBP, and 0.01% for cadmium, or qualify for an exemption to these limits as defined in the Annexes of Directive 2011/65/EU (RoHS2). Finished electrical and electronic equipment products will be CE marked as required by Directive 2011/65/EU. Components may not be CE marked. Additionally, the part



numbers that TE has identified as EU ELV compliant have a maximum concentration of 0.1% by weight in homogenous materials for lead, hexavalent chromium, and mercury, and 0.01% for cadmium, or qualify for an exemption to these limits as defined in the Annexes of Directive 2000/53/EC (ELV). Regarding the REACH Regulation, the information TE provides on SVHC in articles for this part number is based on the latest European Chemicals Agency (ECHA) 'Guidance on requirements for substances in articles' posted at this URL: <https://echa.europa.eu/guidance-documents/guidance-on-reach>

Compatible Parts



TE Part # K1127139
Switch guard 07-0-0-30



TE Part # K1041530
Switch guard 08-0-0-01 905

Also in the Series | KISSLING Series 08



Other Automotive Connector
Accessories(1)

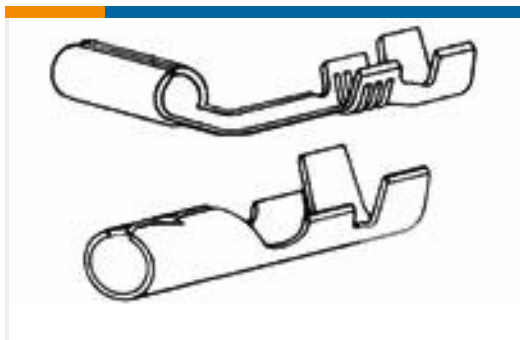


Switch Seals & Accessories(18)



Toggle Switches(126)

Customers Also Bought



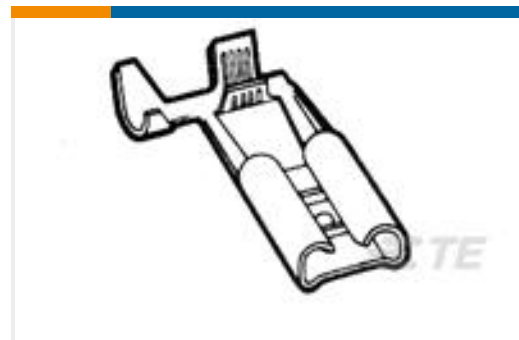
TE Part #62734-2
SHPL REC IS 18-14 .018SPBR



TE Part #5053044060
RNF-100-3/16-0-SP



TE Part #K1002949
Toggle Switch 08-1-1-12



TE Part #180397-2
250 FASTON, FLAG, REC., 17-14 AWG,
TPBR



TE Part #K1002956
Toggle Switch 08-4-1-13



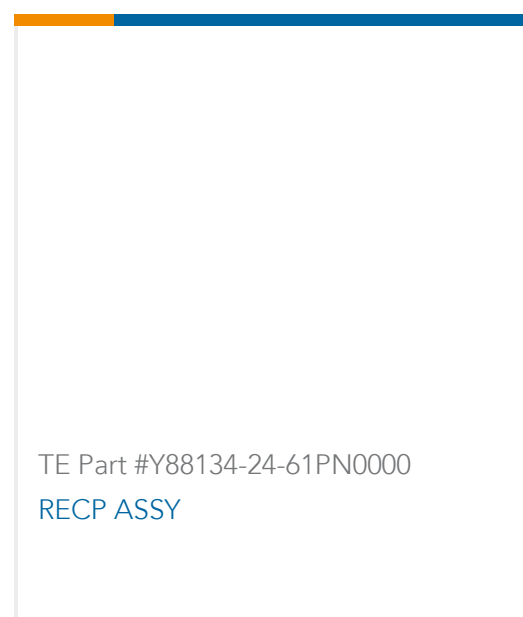
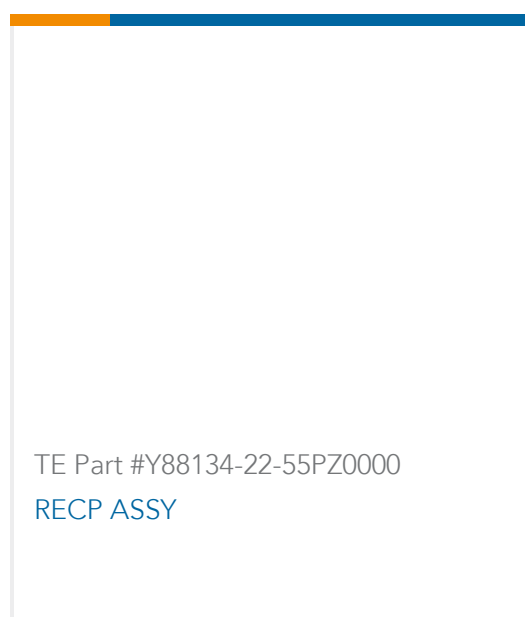
TE Part #K1007167
Switch guard 08-0-0-01



TE Part #Y88134-22-55PX0000
RECP ASSY



TE Part #Y88134-22-55PY0000
RECP ASSY



Documents

Product Drawings

[Switch guard 08-0-0-02](#)

German

CAD Files

[3D PDF](#)

3D

Customer View Model

[ENG_CVM_CVM_08-0-0-02_A.2d_dxf.zip](#)

English

Customer View Model

[ENG_CVM_CVM_08-0-0-02_A.3d_igs.zip](#)

English

Customer View Model

[ENG_CVM_CVM_08-0-0-02_A.3d_stp.zip](#)

English

By downloading the CAD file I accept and agree to the [Terms and Conditions](#) of use.

Datasheets & Catalog Pages

[KISSLING TOGGLE SWITCH Series 08](#)

English