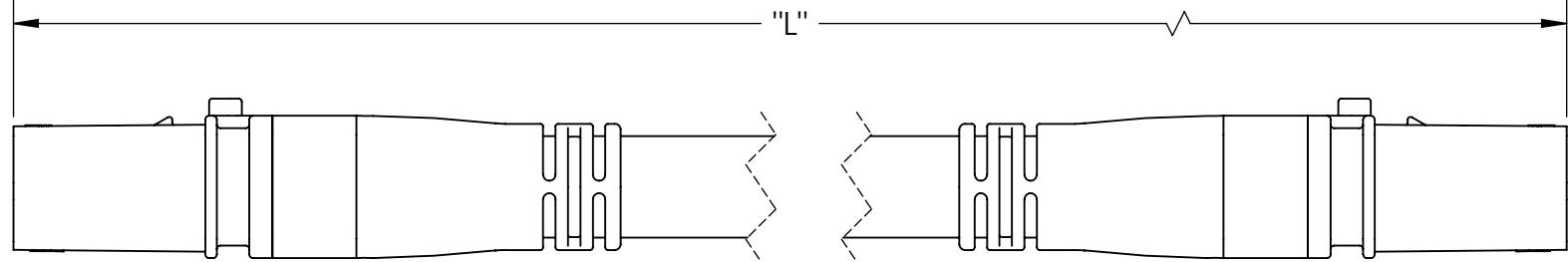


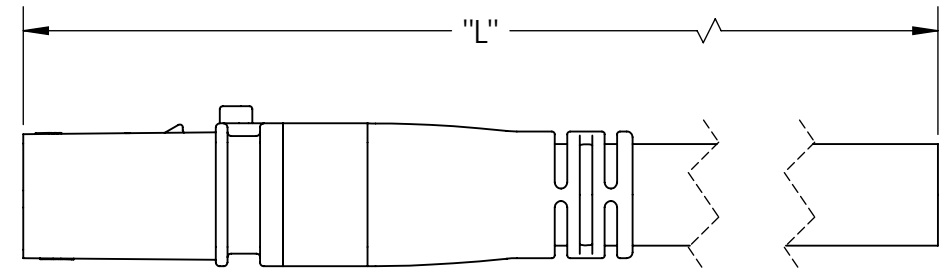
THE INFORMATION CONTAINED IN THIS DRAWING IS THE SOLE PROPERTY OF ANDERSON POWER PRODUCTS. ANY REPRODUCTION IN PART OR WHOLE WITHOUT THE WRITTEN PERMISSION OF ANDERSON POWER PRODUCTS IS PROHIBITED.

Copyright 2009

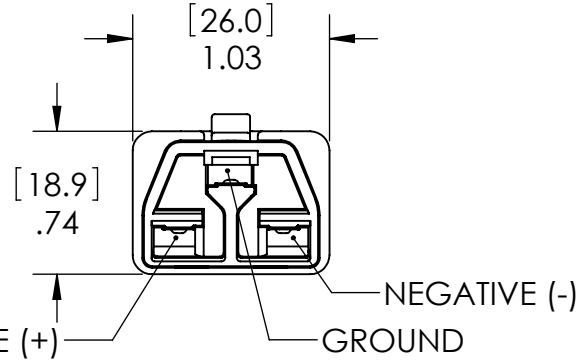
ANDERSON POWER PRODUCTS RESERVES THE RIGHT TO ALTER PRODUCT TYPES, THEIR TECHNICAL DATA, DIMENSION, STYLE AND ACCESSORIES WITHOUT PRIOR NOTIFICATION.



DOUBLE-ENDED PLUG ASSEMBLY



SINGLE-ENDED PLUG ASSEMBLY



PART NUMBERS		LENGTH "L"		WIRE SIZE	NOMINAL ϕ SEE NOTE 2
SINGLE-ENDED	DOUBLE-ENDED	M	FT		
2020G1		1.50	4.92	2.0 MM ²	[11.0] .44
2020G2	2021G2	2.00	6.56		
2020G3	2021G3	3.00	9.84		
2020G6	2021G6	6.00	19.68	0.75MM ²	---
2022G2	2023G2	2.00	6.56		
2022G3	2023G3	3.00	9.84		
2022G6	2023G6	6.00	19.68	1.25MM ²	---
2024G2	2025G2	2.00	6.56		
2024G3	2025G3	3.00	9.84		
2024G6	2025G6	6.00	19.68		

- NOTES:
- CABLES ARE 3-CONDUCTOR, PVC JACKET, PSE RATED TO 600V
 - NOMINAL DIAMETER IS FOR REFERENCE ONLY

REV.	DESCRIPTION	APPRV	DATE
4	ECRN 14711	NTS	9/27/10
3	ECRN 14655	NTS	7/2/10
2	ECRN 14540	AMS	12/15/09
1	ECRN 14539	AMS	12/15/09

REVISIONS

DIMENSIONS ARE IN:	INCH [MM]	APPROVALS		 ANDERSON POWER PRODUCTS	
UNLESS OTHERWISE STATED		DRAWN	AMS 8/13/2009		TITLE 400 VDC PLUG CABLE ASSEMBLIES PVC CABLE PSE RATED
TOLERANCES:		CHECKED	DJD 8/13/2009		
DECIMALS (INCH) .XX ± .02		MFG APPRV	CHB 8/13/2009		
DECIMALS (MM) .X ± .5		QC APPRV	UFN 8/14/2009		
ANGLES ±2°		ENG APPRV	DAM 8/14/2009	SIZE A	
SURFACE FINISH:		DWG NO.	114869S2	REV. 4	
MACHINED 128 [3.2] ✓				SCALE NONE	
MOLDED 64 [1.6] ✓				CADFILE 02951	
MATERIAL: POLYCARBONATE WITH PVC OVERMOLD				SHEET 1 OF 1	
FINISH: N/A		-CAD GENERATED DRAWING- DO NOT MANUALLY UPDATE DO NOT SCALE			
 3rd ANGLE PROJECTION					

Mouser Electronics

Authorized Distributor

Click to View Pricing, Inventory, Delivery & Lifecycle Information:

[Anderson Power Products:](#)

[2020G1](#) [2020g3](#) [2020G6](#) [2021G3](#) [2021G6](#)