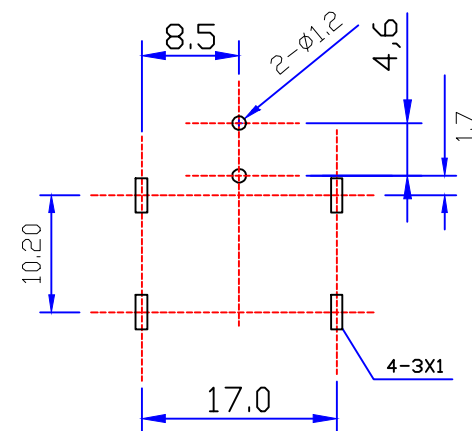
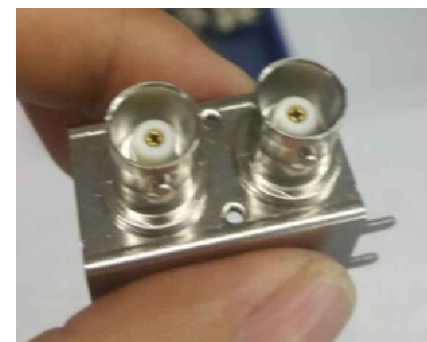
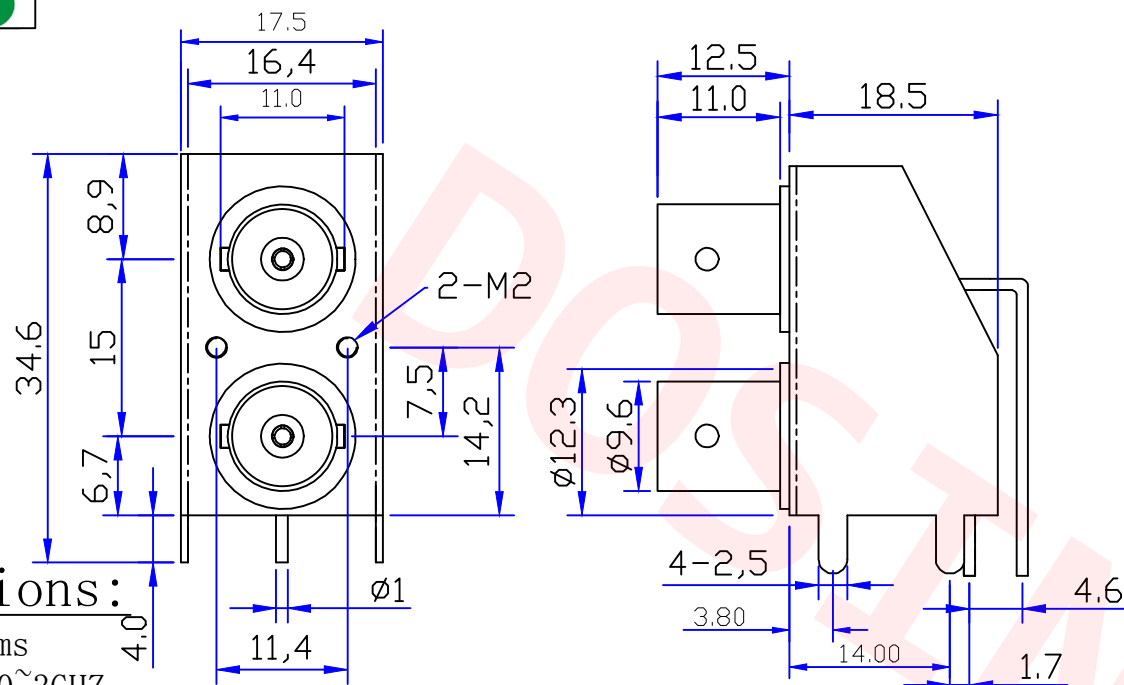




Product NO.		DOSIN-801-0285-D		
REV	DESCRIPTION	DWN	DATE	APPROVEN
A	First issue	Mr. Wang	2015/07/24	John kine
B	三瓣冲针更改为四瓣冲针	Mr. chen	2017/08/25	John kine



Specifications:

IMPEDANCE: 50 Ohms
 Frequency range: 0~3GHZ
 VSWR: 1.3MAX
 Working voltage: 500V rms @ sea level
 Insulation resistance: 5000 Ohms min
 Temperature range: -40°C TO +110°C
 Relative temperature: ≤95% (40° C ± 2° C)

NOTE:

Tolerance	0-6	±0.15
	6-30	±0.20
	30-120	±0.50
	Angular	±5°



Dosin Industrial (H K) Co. Ltd
 东莞市德索五金电子制品有限公司
Dosin Hardware Electronics Co., Ltd

E-mail: dosin2005@163.com
 dosin2005@dosing-china.com
 Web: http://www.dosinconn.com
 TEL: (0086) 769-81153906
 FAX: (0086) 769-81875836

1	Body	Zinc	Nickel	2
2	Insulator	POM	White	2
3	Center contact	Brass	GOLD	2
4	BRACKET	Iron	Nickel	1
5				
6				
NO	Component Number	Material	Finish	QTY

DRAWN	Zelin. CHEN
CHECKED	
APPROVALS	John

View	
UNIT	MM
SCALE	1:1

Name: BNC 2X1 CONNECTOR	
SIZE A	Product NO. DOSIN-801-0285-D
DateTime	2017/08/25
CAD FILE	H/company drawings/BD
SHEET: 1 OF 1	