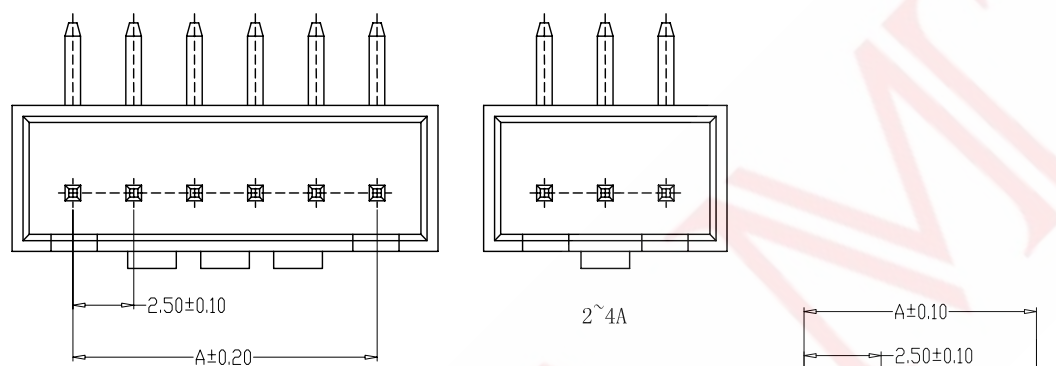


- SPECIFICATIONS**
- 1、Current Rating: 3A AC, DC
  - 2、Voltage Rating: 250V AC, DC
  - 3、Temperatuer Range: -25℃~+85℃
  - 4、Contact Resistance: 20mΩ Max
  - 5、Insulation Resistance: 1000MΩ Min
  - 6、Withstanding Voltang: 1000V AC/minute



A. SERISE: 5M-XHB LOCK  
 B. SPACING: L-2.50mm  
 C. MOUNTING: B-WD  
 D. STANDARD: A-WAFER  
 E: PIN: 02-2P (02-20P)  
 F: CODE: 0-REGULAR

**5MLBA\*\*0**

A B C D E F

PART NO	DIMENSION (mm)	
	A	B
02	2.50	7.50
03	5.00	10.00
04	7.50	12.50
05	10.00	15.00
06	12.50	17.50
07	15.00	20.00
08	17.50	22.50
09	20.00	25.00
10	22.50	27.50
11	25.00	30.00
12	27.50	32.50
20	47.50	52.50

ITEM	DESCRIPTION	MATERIAL	QTY	FINSH/COLOR					
1	针脚	黄铜	N	镀锡					
2	主体	PA66	1	XXX			GENERAL TOLERANCE		
							$\geq 0 \sim 2 <$	$\pm 0.15$	
					DESIGN	WANGGUIFA	2018.06.12	$\geq 2 \sim 5 <$	$\pm 0.25$
					CHECKED	ZHENGUILAN	2018.06.12	$\geq 0 \sim 2 <$	$\pm 0.15$
					APPROVED	LILIANJIANG	2018.06.14	$\geq 5$	$\pm 0.35$

FIRST VIEW

SCALE 1:1 UNIT mm

**SAMZO COMPONENTS**  
 Electronic switch and connector manufacturer

The copyright belongs to samzo parts [China] Co., Ltd. please use the material after samzo parts agree to authorize. The final right of interpretation belongs to samzo parts.  
 WWW.KKK-JP.COM

TITLE: XHB-LOCK-90°
DWG NO: 5ML-P2505
PART NO: 5ML250412
MODEL NO: 5MLBA-**-0
NAME: WAFER CONNECTOR

A

A

E

E

D

D

C

C

B

B