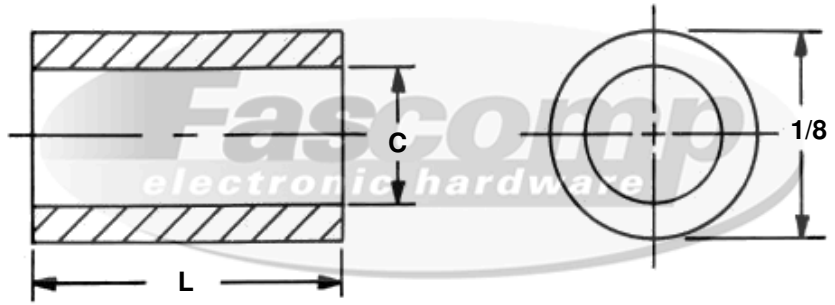


1/8 Round Spacers



Create a part number:

Length	Clearance	Material	Finish
FCXXXX	XX	XX	XX

✓	FMXXXX	Length (L)
	FC1100	1/8
	FC1101	3/16
	FC1102	1/4
	FC1103	5/16
	FC1104	3/8
	FC1105	7/16
	FC1106	1/2

✓	Code (XX)	C + .010
	0	.064
	2	.090

✓ Material Code (XX)	
A	Aluminum
B	Brass
S	Steel
SS	Stainless Steel
N	Nylon

A, B, S, SS	0 - Plain
B, S	5 - Nickel Plate (QQ-N-290)
A	6 - Iridite #14 Gold (MIL-C-5541E)
A	7 - Iridite Clear (MIL-C-5541E)
A	9 - Alodine 1200
B, S	12 - Zinc Clear (ASTM-B-633)
B, S	16 - Electro Tin (MIL-T-10727 TYPE 1)
SS	20 - Passivation (MIL-F-14072D)
A	22 - Clear Anodize (MIL-A-8625-TYPE2) (Sulphuric) Hot Water Seal (Clear)
A	24 - Black Anodize (MIL-A-8625)
B, S, SS	26 - Black Oxide
B, S	28 - Zinc Yellow (ASTM-B-633)



Fascomp Electronic Hardware
 7814 Kingspointe Pkwy
 Orlando, FL 32819
 www.fascomp.com
 Tel: (407) 226-2112
 Fax: (407) 226-3370

Tolerances
Unless otherwise Specified
 .xxx +/- .005
 .xx +/- .010
 Angular +/- 1 Degree
 Linear +/- .005
Break all sharp edges

Source Control Drawing:
 To be produced by
 Fascomp Electronic Hardware

This document is the property of Fascomp Inc. and shall not be reproduced, distributed, or used as a basis for manufacturing without written permission from Fascomp Inc.

Mouser Electronics

Authorized Distributor

Click to View Pricing, Inventory, Delivery & Lifecycle Information:

Fascomp:

[FC1106-0-SS](#) [FC1106-2-A](#) [FC1100-0-A](#) [FC1100-0-SS](#) [FC1105-0-A](#) [FC1105-0-SS](#) [FC1105-2-A](#) [FC1105-2-SS](#)
[FC1103-2-A](#) [FC1103-2-SS](#) [FC1104-0-A](#) [FC1104-0-SS](#) [FC1104-2-A](#) [FC1104-2-SS](#) [FC1102-0-A](#) [FC1102-0-SS](#)
[FC1102-2-A](#) [FC1102-2-SS](#) [FC1103-0-A](#) [FC1103-0-SS](#) [FC1100-2-A](#) [FC1100-2-SS](#) [FC1101-0-A](#) [FC1101-0-SS](#)
[FC1101-2-A](#) [FC1101-2-SS](#)