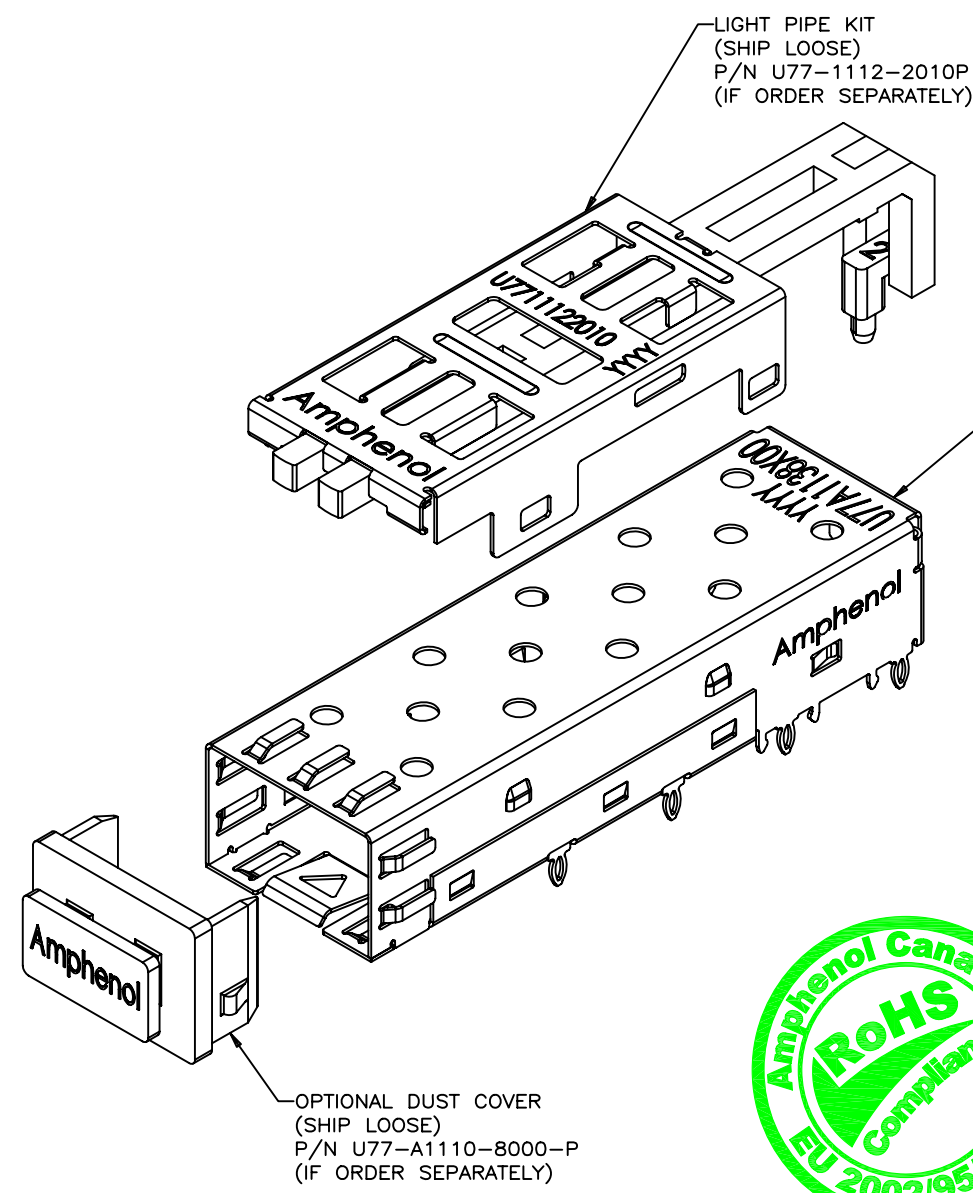


REVISIONS				
SYM	ZONE	ECN, ERN NO.	DATE	APPRD.
A		PROPOSAL	2006/08/08	
B		UPDATED	2007/01/05	
C		UPDATED OVERALL HEIGHT DIM	FEB09/09	

THIS IS A CAD DRAWING. DO NOT MANUALLY REVISE.



AMPHENOL PART NUMBER CONFIGURATION

U77 - C 1 1 1 8 - X X 1 1

- PACKAGING  
1 = TRAY PACKAGING
- OPTIONAL DUST COVER  
0 = NO DUST COVER  
D = WITH DUST COVER (SHIP LOOSE)
- CAGE PLATING  
1 = TIN PLATING  
2 = NICKEL PLATING

MATERIAL:

- CAGE:  
COPPER ALLOY  
PLATING OPTION 1:  
100µ" [2.54 µm] MIN. TIN PLATING OVER  
50 µ" (1.27 µm) MIN. NICKEL UNDER  
PLATING.  
PLATING OPTION 2:  
100µ" [3.81 µm] MIN. NICKEL PLATING

LIGHT PIPE:  
CLEAR POLYCARBONATE.

BRACKET FOR LIGHT PIPE:  
STAINLESS STEEL.

DUST COVER  
THERMOPLASTIC, COLOR BLACK.

PACKAGING:  
TRAY PACKAGING.

TEMPERATURE RANGE:  
-40°C TO +85°C

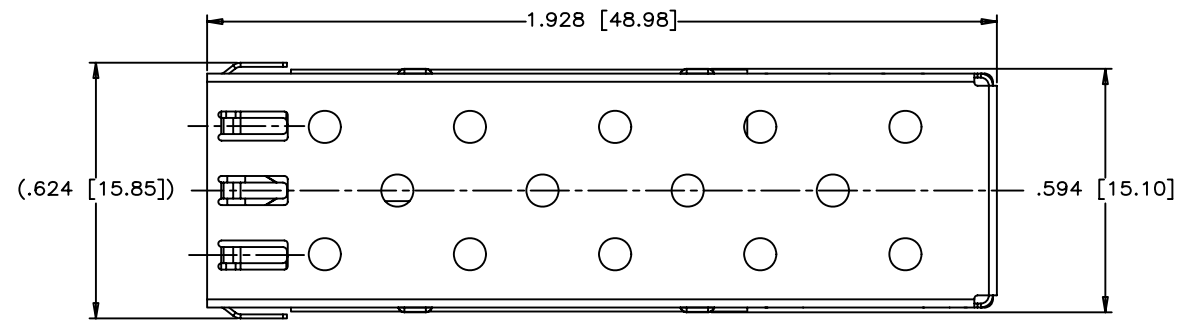


THIS DOCUMENT CONTAINS PROPRIETARY INFORMATION AND SUCH INFORMATION MAY NOT BE DISCLOSED TO OTHERS FOR ANY PURPOSE OR USED FOR MANUFACTURING PURPOSES WITHOUT WRITTEN PERMISSION FROM AMPHENOL CANADA CORP.

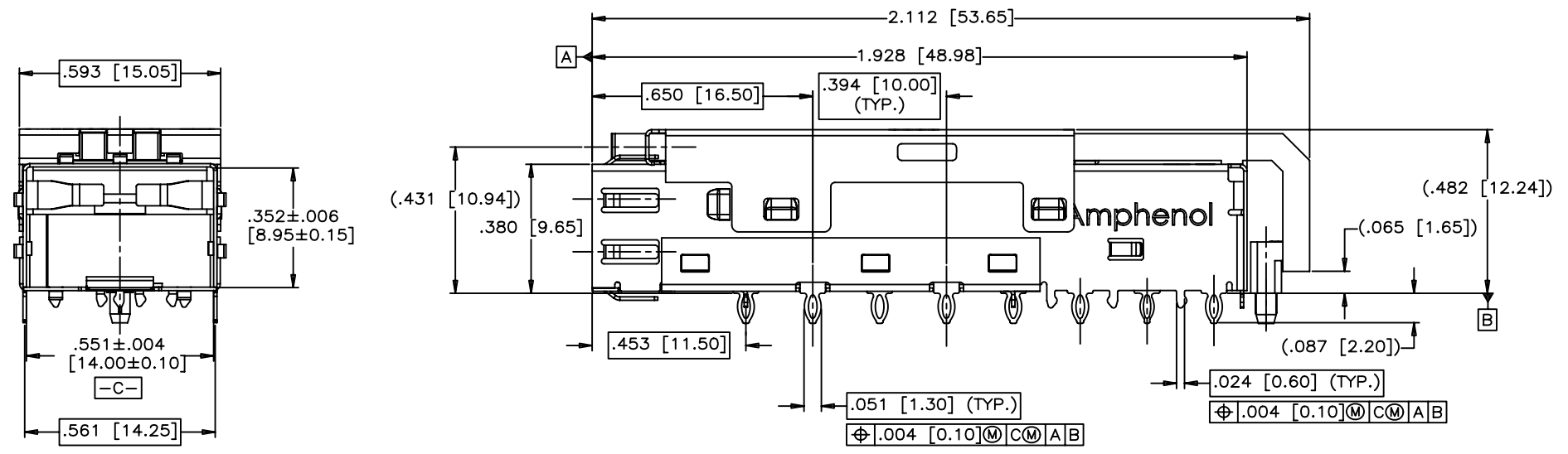
DRAWN J.SI DATE 2006/08/08		Amphenol Canada Corp.	
DESIGNED J.SI DATE 2006/08/08			
CHECKED X X		TITLE	
		SFP 1X1 CAGE WITH LIGHT PIPE OPTION (8 PRESS FIT / 12 EMI PINS ON CAGE)	
DWG. APPRD.		DWG. DRAWING NO.	
ENG. REL. NO.		A P-U77-C1118-XX11	
REF. X		REV. C	
DIMENSIONS ARE IN INCHES (mm) CODE ID. NO. 03554		SCALE 2:1 WT. _____ SURF. _____ SHEET 1 OF 4	

REVISIONS				
SYM	ZONE	ECN, ERN NO.	DATE	APPRD.
A		PROPOSAL	2006/08/08	
B		UPDATED	2007/01/05	
C		UPDATED OVERALL HEIGHT DIM	FEB09/09	

THIS IS A CAD DRAWING. DO NOT MANUALLY REVISE.



TOP VIEW (CAGE SHOWN ONLY)



DRAWN	J.SI	DATE	2006/08/08
DESIGNED	J.SI	DATE	2006/08/08
CHECKED	X		
DWG. APPRD.			
ENG. REL. NO.			
REF.	X		
DIMENSIONS ARE IN	INCHES (mm)	CODE ID. NO.	03554

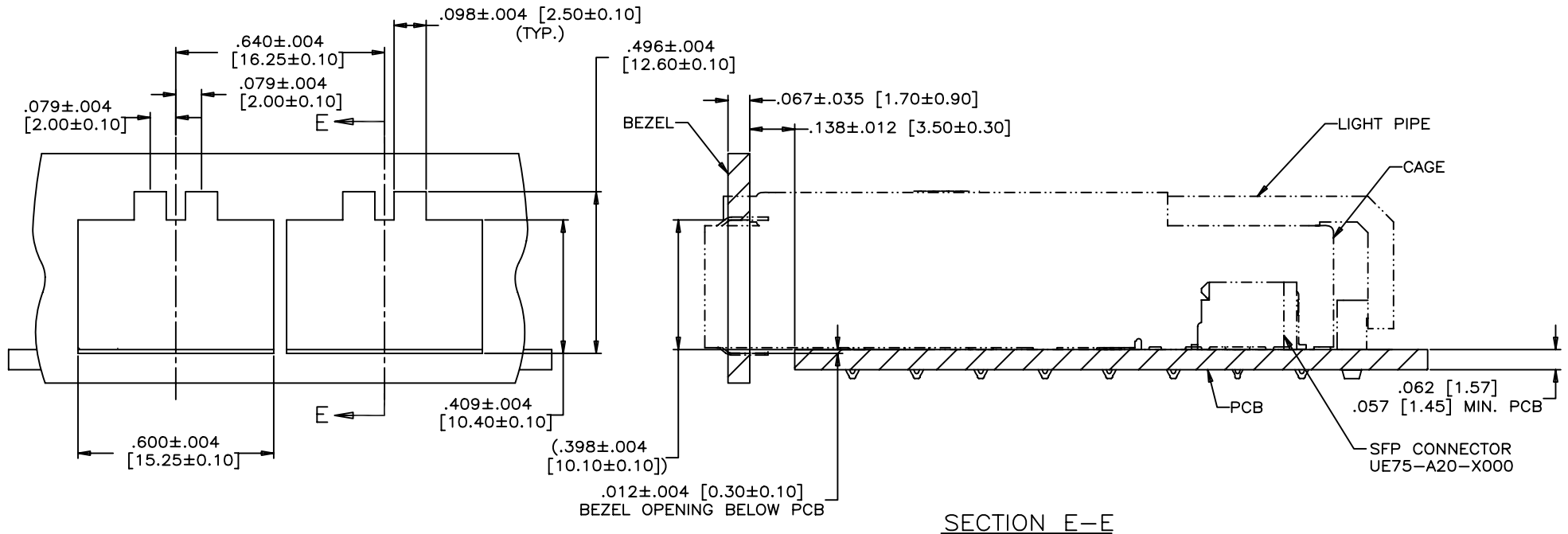
Amphenol Canada Corp.		
TITLE		
SFP SINGLE CAGE WITH LIGHT PIPE OPTION (8 PRESS FIT / 12 EMI PINS ON CAGE)		
DWG	DRAWING NO.	REV.
A	P-U77-C1118-XX11	C
SCALE	WT.	SURF.
2:1		
SHEET 2 OF 4		

THIS DOCUMENT CONTAINS PROPRIETARY INFORMATION AND SUCH INFORMATION MAY NOT BE DISCLOSED TO OTHERS FOR ANY PURPOSE OR USED FOR MANUFACTURING PURPOSES WITHOUT WRITTEN PERMISSION FROM AMPHENOL CANADA CORP.

A B C D E F

REVISIONS				
SYM	ZONE	ECN, ERN NO.	DATE	APPRD.
A		PROPOSAL	2006/08/08	
B		UPDATED	2007/01/05	
C		UPDATED OVERALL HEIGHT DIM	FEB09/09	

THIS IS A CAD DRAWING. DO NOT MANUALLY REVISE.



RECOMMENDED BEZEL DESIGN  
(ONE SIDE CAGE MOUNTING)

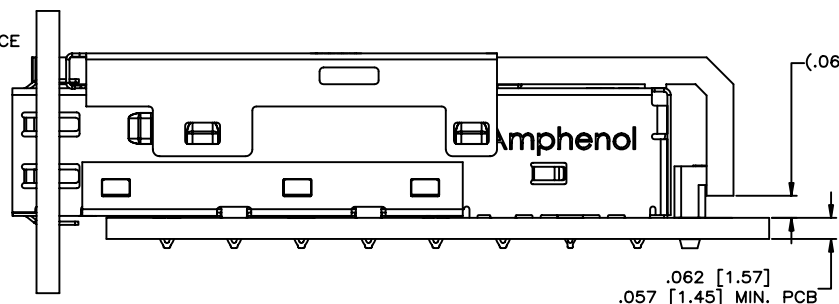
SECTION E-E

THIS DOCUMENT CONTAINS PROPRIETARY INFORMATION AND SUCH INFORMATION MAY NOT BE DISCLOSED TO OTHERS FOR ANY PURPOSE OR USED FOR MANUFACTURING PURPOSES WITHOUT WRITTEN PERMISSION FROM AMPHENOL CANADA CORP.

DRAWN	J.SI	DATE	2006/08/08	Amphenol Canada Corp.
DESIGNED	J.SI	DATE	2006/08/08	
CHECKED	X			
DWG. APPRD.				TITLE
ENG. REL. NO.				SFP SINGLE CAGE WITH LIGHT PIPE OPTION (8 PRESS FIT / 12 EMI PINS ON CAGE)
REF.	X			DWG
DIMENSIONS ARE IN	INCHES (mm)	CODE ID. NO.	03554	DRAWING NO.
				P-U77-C1118-XX11
				REV.
				C
				SCALE
				2:1
				WT.
				SURF.
				SHEET 3 OF 4

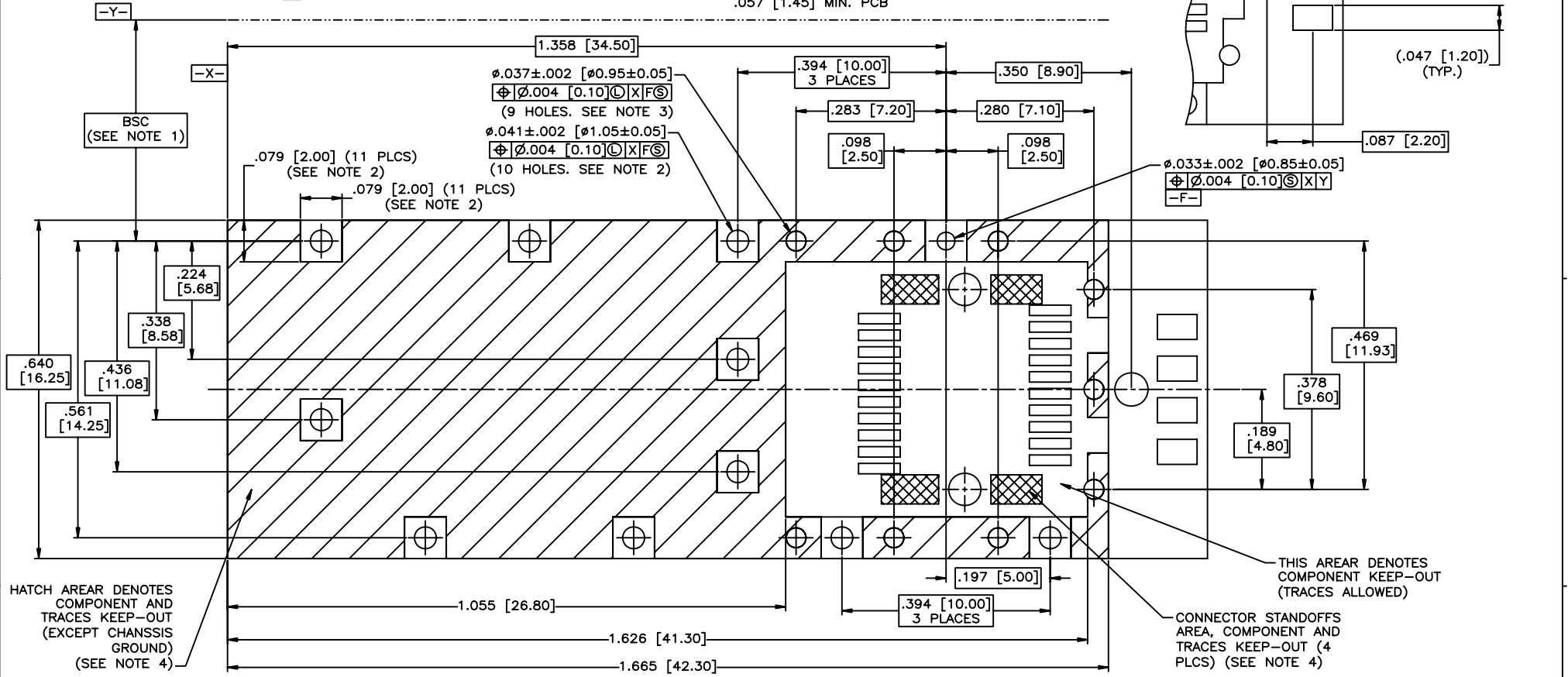
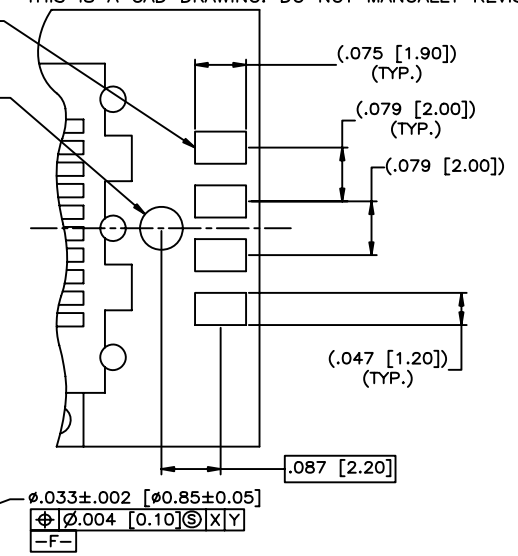
- NOTES:
1. DATUM AND BASIC DIMENSIONS ESTABLISHED BY CUSTOMER
  2. PADS AND VIAS ARE CHASSIS GROUND, 11 PLACES.
  3. THRU HOLES, PLATING OPTIONAL.
  4. SEE DRAWINGS P-U75-A20-X000X FOR CONNECTOR PCB LAYOUT.
  5. ALL PADS DIMS FOR SURFACE MOUNT LEDS ARE FOR REFERENCE ONLY.

REVISIONS				
SYM	ZONE	ECN, ERN NO.	DATE	APPRD.
A		PROPOSAL	2006/08/08	
B		UPDATED	2007/01/05	
C		UPDATED OVERALL HEIGHT DIM	FEB09/09	



SOLDER PADS SEE NOTE 5 THIS PAGE

THIS IS A CAD DRAWING. DO NOT MANUALLY REVISE.



RECOMMENDED SFP HOST BOARD LAYOUT  
(ONE SIDE CAGE MOUNTING)  
(SCALE 4:1)

DRAWN	J.SI	DATE	2006/08/08
DESIGNED	J.SI	DATE	2006/08/08
CHECKED	X		
DWG. APPRD.			
ENG. REL. NO.			
REF.	X		
DIMENSIONS ARE IN	INCHES (mm)	CODE ID. NO.	03554

Amphenol Canada Corp.		
TITLE		
SFP SINGLE CAGE WITH LIGHT PIPE OPTION (8 PRESS FIT / 12 EMI PINS ON CAGE)		
DWG	DRAWING NO.	REV.
A	P-U77-C1118-XX11	C
SCALE	NTS	WT. _____ SURF. _____ SHEET 4 OF 4

THIS DOCUMENT CONTAINS PROPRIETARY INFORMATION AND SUCH INFORMATION MAY NOT BE DISCLOSED TO OTHERS FOR ANY PURPOSE OR USED FOR MANUFACTURING PURPOSES WITHOUT WRITTEN PERMISSION FROM AMPHENOL CANADA CORP.

# Mouser Electronics

Authorized Distributor

Click to View Pricing, Inventory, Delivery & Lifecycle Information:

[Amphenol:](#)

[U77C11182011](#)