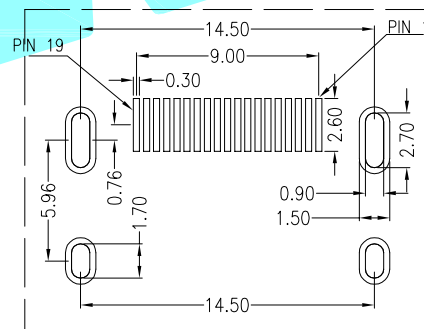
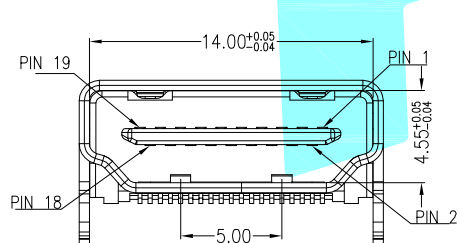
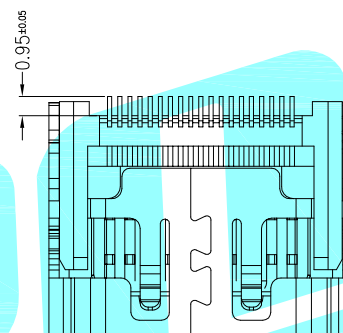
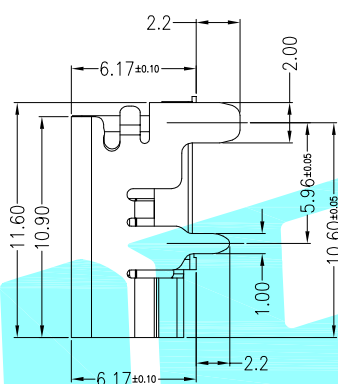
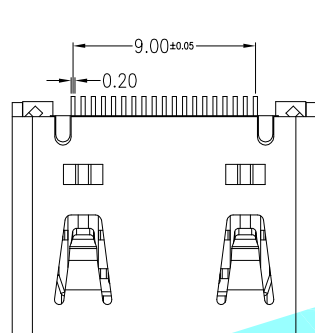
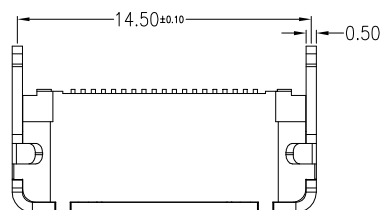


Type A pin	Signal Name
1	TMDS Data2+
2	TMDS Data2 Shield
3	TMDS Data2-
4	TMDS Data1+
5	TMDS Data1 Shield
6	TMDS Data1-
7	TMDS Data0+
8	TMDS Data0 Shield
9	TMDS Data0-
10	TMDS Clock+
11	TMDS Clock Shield
12	TMDS Clock-
13	CEC
14	Utility
15	SCL
16	SDA
17	DDC/CEC Ground
18	+5V Power
19	Hot Plug Detect



RECOMMENDED P.C.B HOLE LAYOUT
COMPONENT SIDE VIEW(TOLERANCE: +/-0.05)

NOTES:

1.MATERIAL:

HOUSING:LCP,UL94V-0; COLOR; BLACK

CONTACT: C2680

SHELL: COPPER

2.PLATING:

2.1 CONTACT: GOLD PLATING ON CONTACT AREA AND
MATTE TIN 100u"Min ON
SOLDER AREA

OVER 50u" NICKEL UNDERPLATING

2.2 SHELL: 50u" NICKEL PLATING OVER ALL

3.Rating:

Insulation Resistance (EIA-364-21) :100 MΩ MIN.
AT 500V/DC FOR 1 MINUTE.

Contact resistance (EIA-364-06) 30 mΩ MAX.

Dielectric withstanding (EIA-364-20) NO DISCHARGE,
FLASHOVER OR BREAKDOWN
AT 500 V/AC 1MINUTE.

APPROVALS		DATE		HRO 韓榮 ELECTRONICS CO.,LTD			
DRAWN	LIUCAN	2021.10.15		TITLE:	HDMI CONNECTOR		
CHECKED				PART NO.	U-F-19DD-W-2		
APPROVALS				UNIT: mm	SCALE: 1:1	PROJ:	
TOLERANCES ARE		30~以上	±0.30	ANGLE			
		10~30	±0.25				
		5~10	±0.20				
		~ 5	±0.15	±2°	DRAWING NO.		SHEET 1 OF 1

ECN NO.	REV.	DATE.	DESCRIPTION.	CHANGE.	CHECK.	APPRO.
	A		NEW			