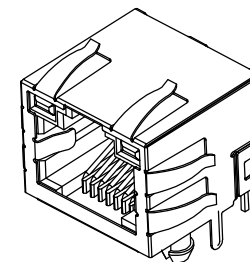
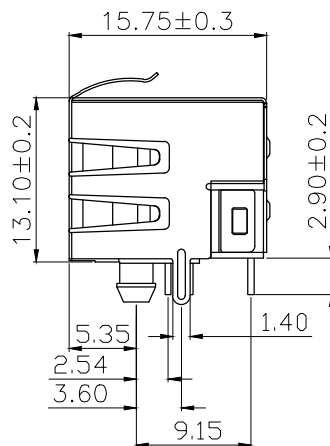
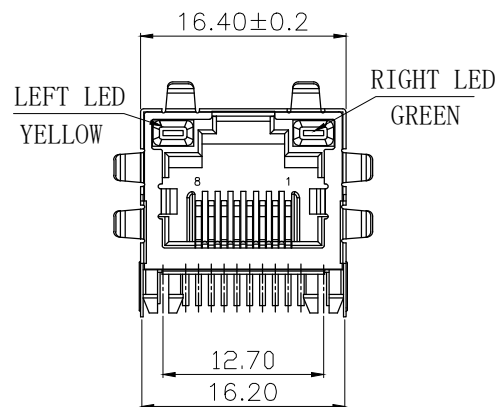


RoHS 2.0

Kinghelm®

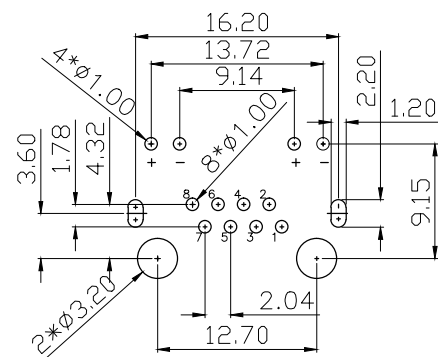
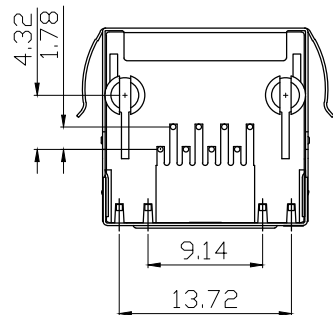
REV.	ECN	NO.	DESCRIPTION	DATE	DESIGN
A1.	/.		重新整理图面	20.03.27	Yang



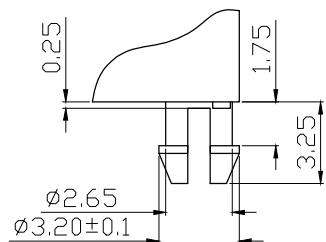
3D VIEW

NOTES:

- MATERIAL:
 - HOUSING: PBT ,COLOR IS BLACK;
 - CONTACT: PHOSPHOR BRONZE,Ø0.46±0.02mm;
 - SHELL: BRASS T=0.2±0.02mm;
- FINISH:
 - CONTACT: PLATED GOLD OVER NI;
 - SHELL: NI OVER ALL;
- RECINNEBDED PCB THICKNESS: 1.60mm;
- ELECTRICAL:
 - VOLTAGE RATING: 125 VAC RMS;
 - CURRENT RATING: 1.5 AMP;
 - CONTACT RESISTANCE: 35MILLIOHMS MAX.;
 - WITHSTAND VOLTAGE: 1000 VAC RMS 50(60)Hz,1MIN.;
 - INSULATION RESISTANCE: 1000MEGOHMS MIN @500V DC;
- MECHANICAL:
 - MATING/UNMATING FORCE: 25N MAX.;
 - RETENTIION STRENGTH: 50N MIN.;
 - OPERATING LIFE: 750 CYCLES MIN.;
- SALT SPRAY TEST: 12H;
- SOLDERABILITY: 245±5°C,5±0.5S;
- RESISTANCE TO SOLDER:260±0.5°C,10±1S;
- ENVIRONMENTAL:
 - STORAGE TEMPERATURE RANGE:-40°C~+85°C;
 - OPERATION TEMPERATURE RANGE:-25°C~+70°C;
- MATES WITH:MODULAR PLUGS THAT CONFORM TO FCC REGULATION PART 68.500;
- THE MARK WITH "*" IS THE KEY INSPECTION DIMENSION FOR QC.



RECOMMENDER P. C. B. LAYOUT TOP VIEW
(COMPONENT SIDE TOLERANCE±0.05)



DETAIL "X"
SCALE 2:1

深圳市金航标电子有限公司		www.kinghelm.com.cn			
KH-RJ45-56-8P8C-D-T		0755-28190160			
UNLESS OTHERWISE SPECIFIED: GENERAL TOLERANCE: X.xxx ±0.10 X.xx ±0.20 X.x ±0.30	NAME:	RJ45带灯带弹壳		P/N:	09.01.06.008
	DRAWN:	UNIT:	SCALE:	SIZE:	SHEET:
ANGULAR: X.xx' ±1' X.x' ±3' X.' ±5'	Yangguangrong	mm	1:1	A4	1/1 A0
CHECKED:		APPROVED		Tangguanlin	