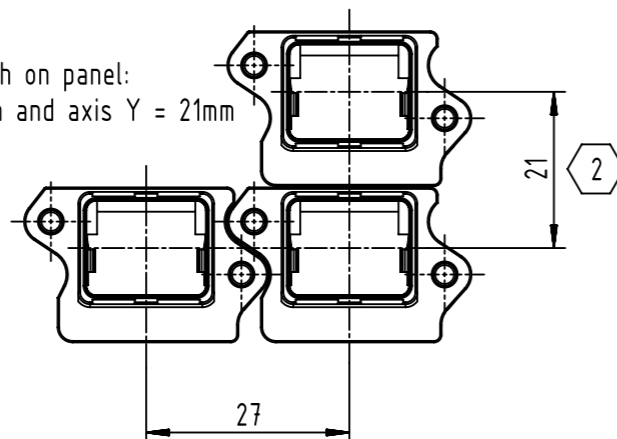


connector pitch on panel:
axis X = 27mm and axis Y = 21mm



further information see product data sheet

2 connector pitch with coding clip 0945840002X Y = 23mm

1 2x M2.5; screws acc. to ISO 4762;
please order separately; bolting torque 0.3Nm - 0.5Nm

	All rights reserved	Created by STORCK	Inspected by ZWAHR	Standardisation HOFFMANN	Date 2019-12-17	State Final Release	Ref. Sub.
	Department EL PD	Title HARTING PushPull V4 Compact Housing HIFF				Doc-Key / ECM-Nr. 100626925/UGD/002/E 500000161747	
HARTING Electronics GmbH D-32339 Espelkamp		Type TB	Number 09455450041		Rev. E	Page 1/1	