

61119-1 ✓ ACTIVE

AMP-IN

TE Internal #: 61119-1

Receptacle, PCB Hole Diameter 6.7 mm [.263 in], 24 – 20 AWG Wire Size, .2 – .6 mm<sup>2</sup> Wire Size, Through Hole - Solder, Gold Plating, PCB Terminals

[View on TE.com >](#)



Terminals & Splices > PCB Terminals



PCB Terminal Type: **Receptacle**

PCB Hole Diameter: **6.7 mm [.263 in]**

Mating Pin Diameter: **1.47 mm [.058 in]**

Compatible Insulation Diameter (Max): **1.78 mm [.07 in]**

Compatible Insulation Diameter Range: **1.14 – 1.78 mm [.045 – .07 in]**

### Features

#### Product Type Features

Terminal Features	Stud Hole
-------------------	-----------

#### Contact Features

Contact Underplating Material Thickness	1.27 μm[50 μin]
Contact Mating Area Plating Material Thickness	.38 – .5 μm[15 – 20 μin]
PCB Terminal Type	Receptacle
Mating Pin Diameter	1.47 mm[.058 in]
Terminal Plating Material	Gold
Contact Underplating Material	Nickel
Terminal Orientation	Flag

#### Termination Features

Termination Method to PCB	Through Hole - Solder
Product Terminates To	Wire & Cable

#### Mechanical Attachment

Wire Insulation Support	With
-------------------------	------



### Dimensions

Terminal Material Thickness	.25 mm[.01 in]
PCB Hole Diameter	6.7 mm[.263 in]
Compatible Insulation Diameter (Max)	1.78 mm[.07 in]
Compatible Insulation Diameter Range	1.14 – 1.78 mm[.045 – .07 in]
Wire Size	.2 – .6 mm <sup>2</sup>

### Usage Conditions

Insulation Option	Uninsulated
Operating Temperature Range	-55 – 105 °C[-67 – 221 °F]

### Packaging Features

Packaging Quantity	7000
Packaging Method	Reel

### Product Compliance


[For compliance documentation, visit the product page on TE.com>](#)

EU RoHS Directive 2011/65/EU	Compliant
EU ELV Directive 2000/53/EC	Compliant
China RoHS 2 Directive MIIT Order No 32, 2016	No Restricted Materials Above Threshold
EU REACH Regulation (EC) No. 1907/2006	Current ECHA Candidate List: JUNE 2024 (241) Candidate List Declared Against: JUNE 2024 (241) Does not contain REACH SVHC
Halogen Content	Low Halogen - Br, Cl, F, I < 900 ppm per homogenous material. Also BFR/CFR/PVC Free
Solder Process Capability	Not applicable for solder process capability


#### Product Compliance Disclaimer

This information is provided based on reasonable inquiry of our suppliers and represents our current actual knowledge based on the information they provided. This information is subject to change. The part numbers that TE has identified as EU RoHS compliant have a maximum concentration of 0.1% by weight in homogenous materials for lead, hexavalent chromium, mercury, PBB, PBDE, DBP, BBP, DEHP, DIBP, and 0.01% for cadmium, or qualify for an exemption to these limits as defined in the Annexes of Directive 2011/65/EU (RoHS2). Finished electrical and electronic equipment products will be CE marked as required by Directive 2011/65/EU. Components may not be CE marked. Additionally, the part numbers that TE has identified as EU ELV compliant have a maximum concentration of 0.1% by weight in homogenous materials for lead, hexavalent chromium, and mercury, and 0.01% for cadmium, or qualify for an exemption to these limits as defined in the Annexes of Directive 2000/53/EC (ELV). Regarding the REACH Regulation, the information TE provides on SVHC in articles for this part number is based on the latest European Chemicals Agency (ECHA) 'Guidance on requirements for substances in articles' posted at this URL: <https://echa.europa.eu/guidance-documents/guidance-on-reach>

## Compatible Parts



TE Part # 91507-1  
CCII .058 REC P.C. 24-20 ASSY



TE Part # 453850-1  
INSERTION EXTRACTION TOOL




TE Part # 4150165-1  
OCEAN-2.0-APPLICATOR-E-055F0800-SEM

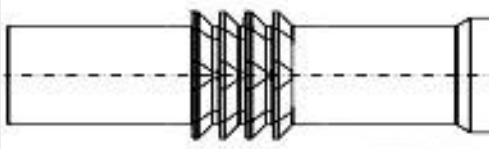
TE Part # 7-4150165-7  
OCEAN\_2.0\_SPARE\_PART\_KIT-055F0800

TE Part # 4150165-2  
OCEAN-2.0-APPLICATOR-E-055F0800-SEA

## Customers Also Bought



TE Part #2-1617754-1  
FCA-410-1622M=M83536/16-022M



TE Part #1811633-1  
SEAL PLUG



TE Part #102348-2  
MOD IV RECP LP



TE Part #ZPF000000000107200  
787-8055-11M



TE Part #587763-000  
CWT-11-W122-5



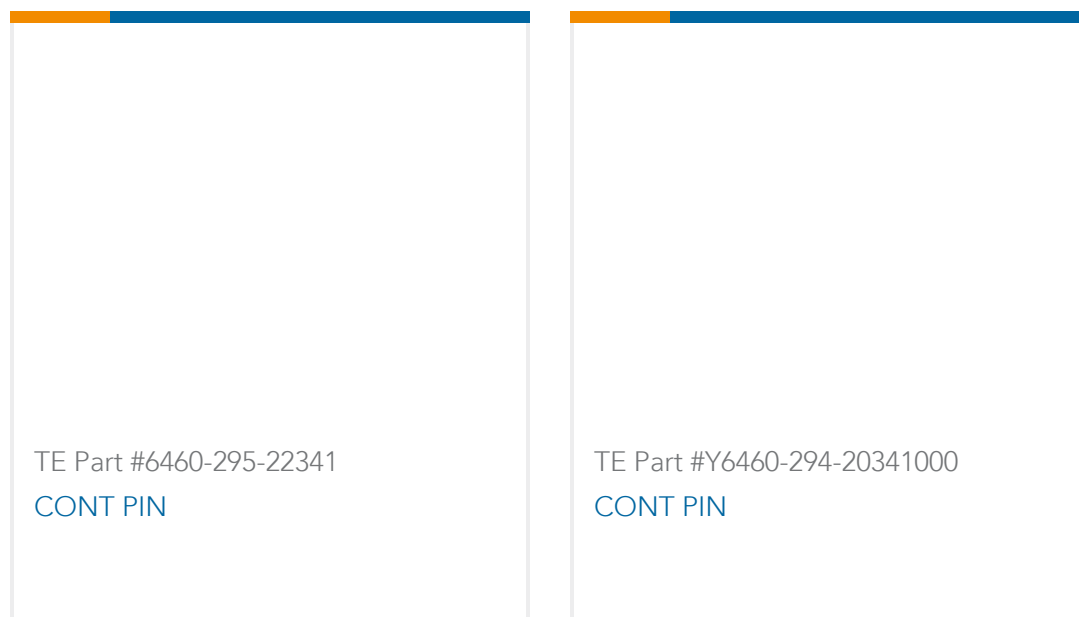
TE Part #486085-000  
CWT-9-W122-5



TE Part #676516-000  
S03-03-R



TE Part #Y6462-241-20341000  
CONT SOC ASSY



## Documents

### Product Drawings

[PIN RECPT .058 R/A](#)

English

### CAD Files

Customer View Model

[ENG\\_CVM\\_61119-1\\_G.3d\\_igs.zip](#)

English

Customer View Model

[ENG\\_CVM\\_61119-1\\_G.3d\\_stp.zip](#)

English

Customer View Model

[ENG\\_CVM\\_61119-1\\_G.2d\\_dxf.zip](#)

English

[3D PDF](#)

English

[3D PDF](#)

3D

Customer View Model

[ENG\\_CVM\\_CVM\\_61119-1\\_Y.2d\\_dxf.zip](#)

English

Customer View Model

[ENG\\_CVM\\_CVM\\_61119-1\\_Y.3d\\_igs.zip](#)

English

Customer View Model

[ENG\\_CVM\\_CVM\\_61119-1\\_Y.3d\\_stp.zip](#)

English

By downloading the CAD file I accept and agree to the [Terms and Conditions](#) of use.

### Datasheets & Catalog Pages

[PRINTED CIRCUIT BOARD TERMINALS AND DISCONNECTS](#)

English

### Product Specifications

[Application Specification](#)

English



---

**Instruction Sheets**

[Instruction Sheet \(U.S.\)](#)

Japanese

[Instruction Sheet \(U.S.\)](#)

English

[Insertion/Extraction Tool](#)

English