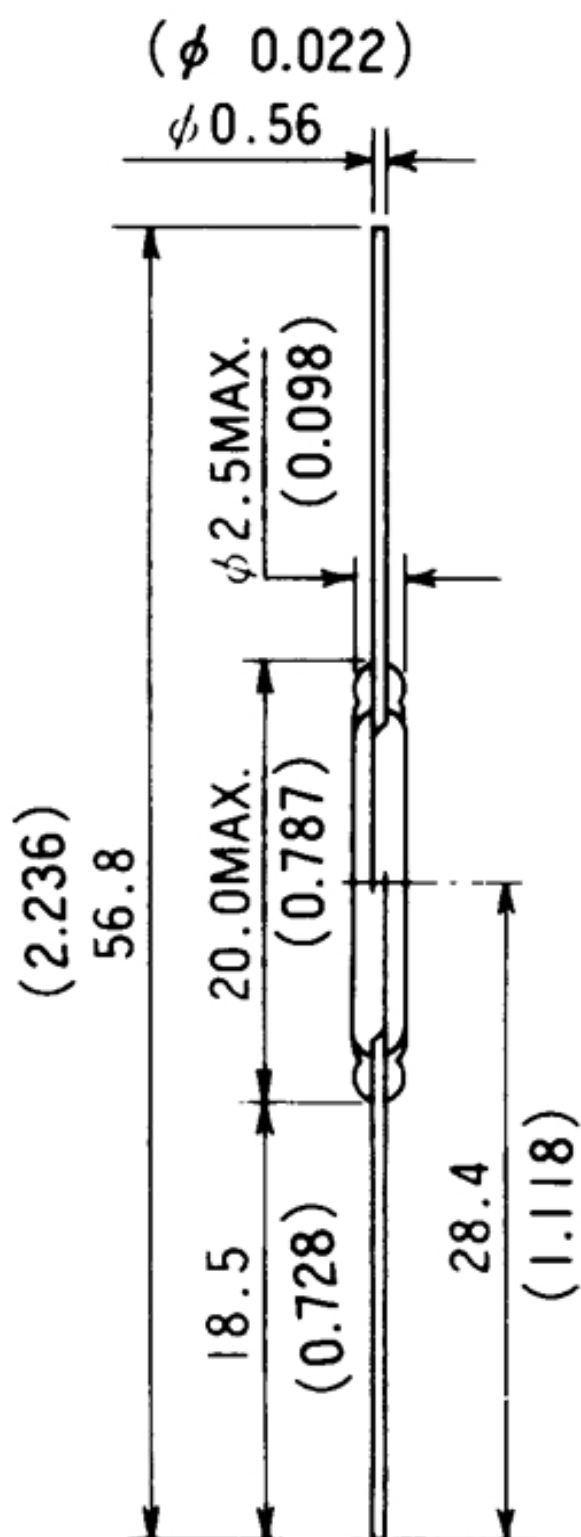


HYR -2031 -1 - Close Differential

Specifications/Dimensions

Item	Value
Contact Form	1A
Contact Position ¹	C
Contact Material	Ruthenium ³
Max. Contact Rating	3W
Max. Switching Voltage	100VDC
Max. Switching current	0.11A
Max. Initial Contact Resistance	200mW
Pull in Value (AT)	15-50
Min. Drop out Value (AT)	75% ratio min.
Min. Breakdown Voltage ²	200VDC
Max. Contact Capacitance	0.6pF
Min. Insulation Resistance	10 ¹⁰ W
Typ. Resonant Frequency	3kHz
Electrical Life (Resistive loads)	10 ⁷ (5VDC, 10mA) 5 X 10 ⁵ (100VDC, 100mA)
Features	Close differential

1. C: Center gap O: Off center gap
2. Breakdown voltage specifications are based on Pull -In sensitivity of 25 AT or higher. Contact ALEPH for information for switches with less than 25 AT sensitivity. HYR4000, HYR5000, HYR9000 Series are specified on basis of the lowest AT Pull -In sensitivity range.
3. Ruthenium Oxide over Palladium.



Test Coil - TC-0502

Number of Turns	5,000
Wire Gauge	AWG #40
Coil Resistance	420W

Test Coil

