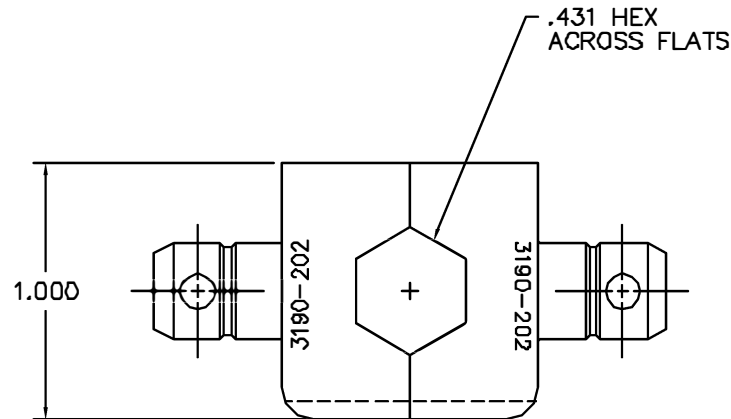
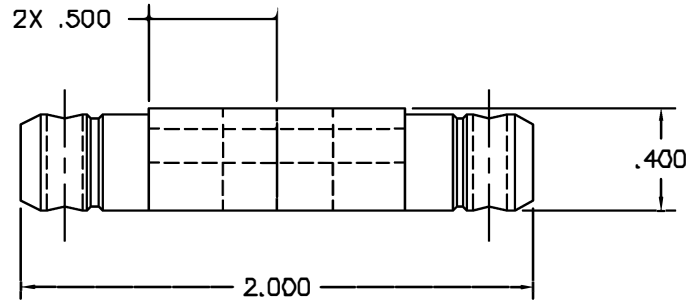



REVISIONS				
REV. SYN.	E.C.O. NUMBER	DESCRIPTION	BY DATE	APP'D DATE
2		ADDED NOTE 2 REVISED MARKINGS ON DIES	D.A.D. 6-3-87	D.A.D. 6-3-87



**UNCONTROLLED DOCUMENT
WILL NOT BE UPDATED**

2. NO HEAT TREAT PER CUSTOMER REQUIREMENTS.
1. PROJECT 3984: TIMES MICROWAVE PART
NUMBER 3190-202.

NOTES:

RESTRICTED & CONFIDENTIAL CONFIDENTIAL PROPERTY OF DANIELS MANUFACTURING CORP. NOT TO BE DISCLOSED TO OTHERS, REPRODUCED OR USED FOR ANY OTHER PURPOSE, EXCEPT AS AUTHORIZED IN WRITING BY DANIELS MANUFACTURING. MUST BE RETURNED TO DANIELS MANUFACTURING CORP. ON COMPLETION OF ORDER OR OTHER PURPOSE FOR WHICH LENT.	MATERIAL	ITEM	PART NO.	QTY.	DESCRIPTION/REMARKS
	HEAT TREAT	APP'D.	DATE	DATE	 DANIELS MANUFACTURING CORP. ORLANDO, FLORIDA CAGE 11851
	FINISH	APP'D.	DATE	DATE	
DO NOT SCALE DRAWING	TITLE DIE SET ENVELOPE DRAWING			WHERE USED: SIZE B SCALE 2X CAD P/N Y1719-ENV SHEET 1 OF 1 POSTING P/N Y1719-ENV REV. 2	

Mouser Electronics

Authorized Distributor

Click to View Pricing, Inventory, Delivery & Lifecycle Information:

[Daniels Manufacturing:](#)

[Y1719](#)